



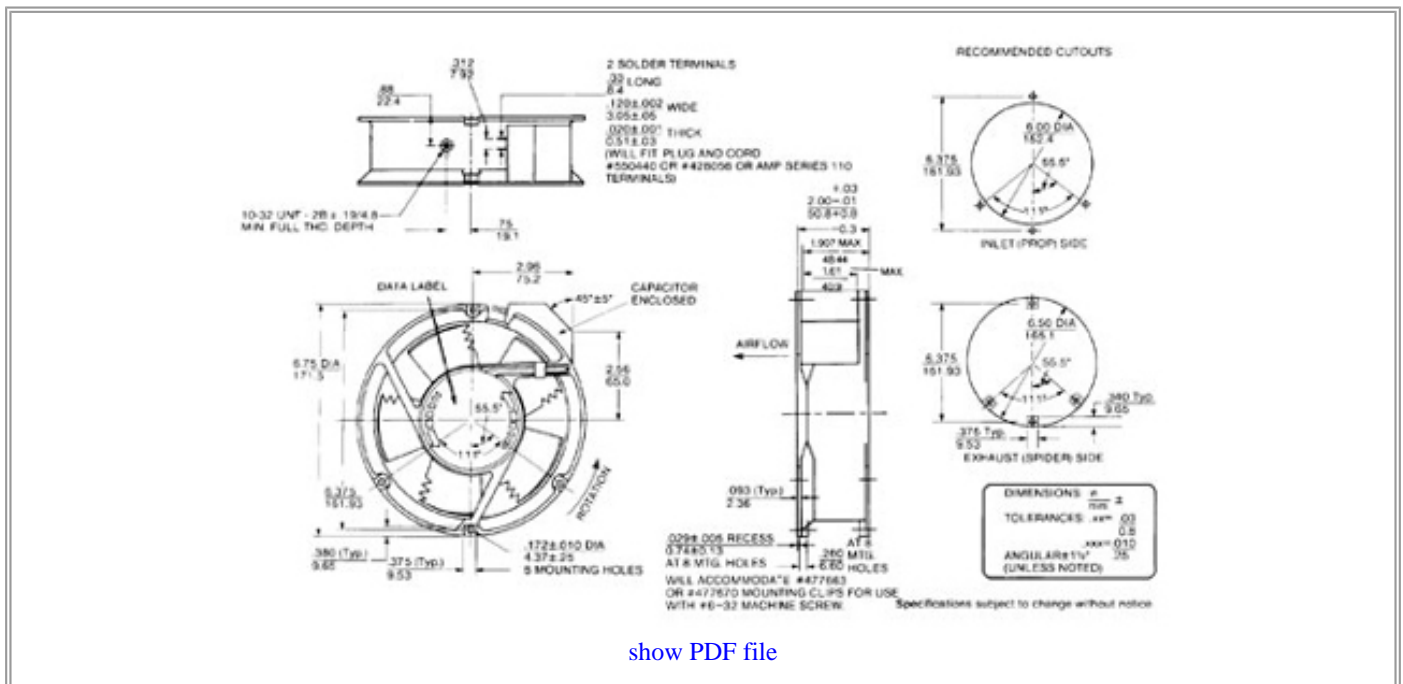
Patriot AC (AC Fan)

COMAIR ROTRON PART NUMBER: **028254**
 COMAIR ROTRON MODEL NUMBER: **PT2B3**



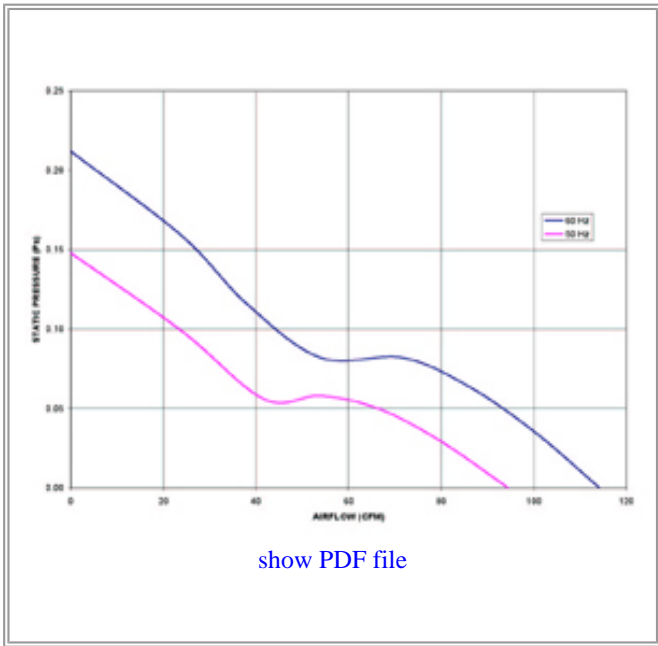
MOTOR	
Rated Voltage:	115
Operating Voltage Range:	
Running Current: 50Hz 60Hz (amps)	0.27 0.26
Locked Rotor Current: (amps)	0.49
Rated Power: 50Hz 60Hz (watts)	30 31
Nominal Speed: 50Hz 60Hz (rpm)	2880 3400

MECHANICAL	
Dimensions:	172mm x 51.0mm (6.75in x 2.00in)
Bearing Type:	Ball
Motor Base:	Metal
Propeller:	Injection molded polycarbonate



[show PDF file](#)

NOTES



PERFORMANCE CHARACTERISTICS	
Air Flow: (CFM)	200/235
Static Pressure:	.615/.795

TERMINATION	
Leadwires:	Terminals

SAFETY	

All product names are used under license and are trademarks or registered trademarks of Comair Rotron, Inc.

[New Search](#)