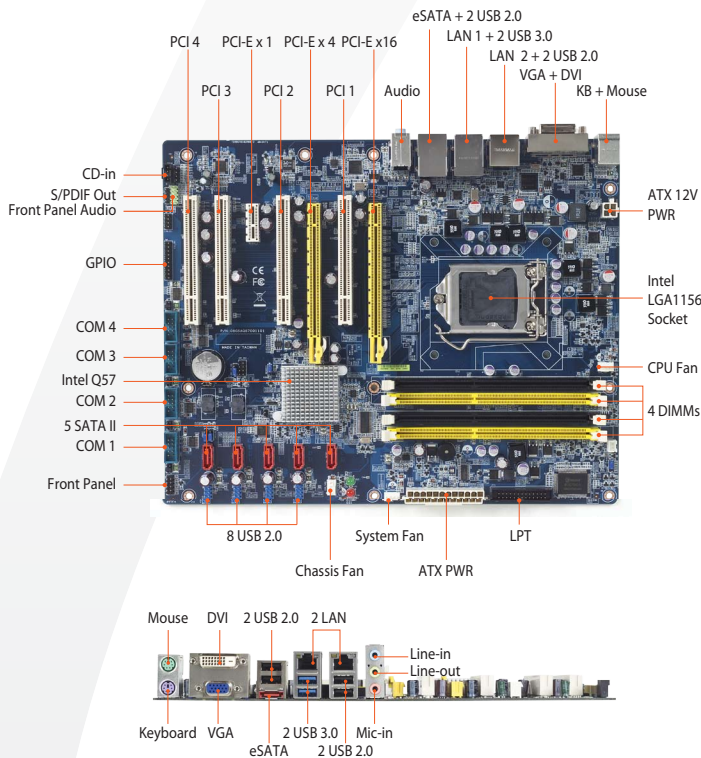


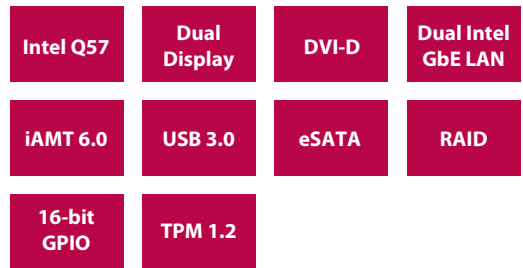
# AX57Q

## Intel® Q57 with Core™ i7/ i5/ i3 ATX Motherboard



### Features

- Supports Socket LGA1156 Core i7/ i5/ i3 desktop processor
- Four 240-pin DDR3 1066/ 1333 DIMM, up to 16GB
- Dual Intel Gigabit LAN support iAMT 6.0
- Supports USB 3.0, eSATA
- Supports DVI-D + VGA Dual Display Function
- Supports RAID 0, 1, 5, 10
- TPM 1.2, 16-bit GPIO



## Specifications

System	
<b>CPU</b>	Intel LGA1156 Socket supports Core i7/ i5/ i3 desktop processor
<b>BIOS</b>	AMI Legacy 16Mb SPI BIOS
<b>System Chipset</b>	Intel PCH Q57
<b>I/O Chip</b>	Winbond W83627DHG-A
<b>System Memory</b>	Four 240-pin DIMM sockets support up to 16GB DDR3 1333/ 1066 SDRAM
<b>Watchdog Timer</b>	Reset : 1 to 255 sec/min per step
<b>H/W Status Monitor</b>	Monitoring CPU temperature, voltage and cooling fan status. Auto throttling control when CPU overheats.
<b>Expansion</b>	1 PCI-E x 16, 1 PCI-E x 4 (physical with PCI-E x 16 Slot), 1 PCI-E x 1, 4 PCI slots (PCI 2.3 compliant)
<b>TPM</b>	Onboard TPM 1.2 by Infineon SLB9635
<b>Power State</b>	S1, S3, S4, S5
<b>Wake up on LAN or Ring</b>	LAN (PXE)
<b>Smart Fan Control</b>	Yes

Display	
<b>Chipset</b>	Integrated Intel GMA HD
<b>Display Memory</b>	Intel DVMT supports up to 1.7GB Video Memory
<b>Max Resolution</b>	2048 x 1536 (@75Hz)
<b>Dual Display</b>	DVI-D + VGA
<b>VGA</b>	Onboard
<b>DVI</b>	Onboard, DVI-D

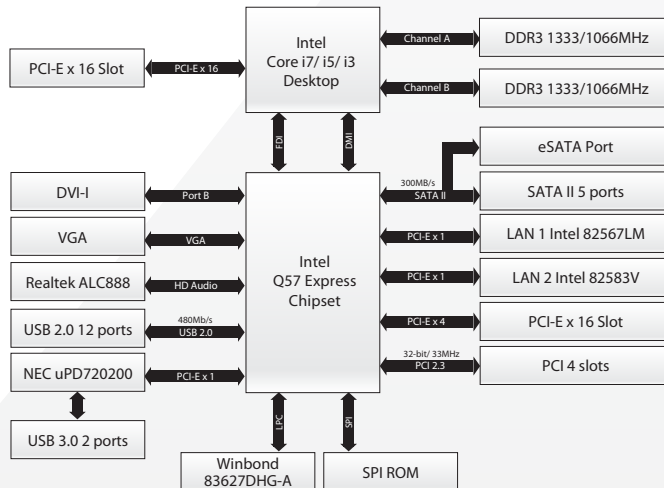
Audio	
<b>Audio Codec</b>	Realtek ALC892, 5.1 + 2 Channel HD Audio
<b>Audio Interface</b>	Line-in, Line-out, Mic-in

Ethernet	
<b>LAN 1</b>	Intel 82578LM Gigabit LAN supports iAMT 6.0
<b>LAN 2</b>	Intel 82583V Gigabit LAN

I/O	
<b>MIO</b>	5 SATA II, 1 eSATA, 4 COM RS-232, 2 LAN, 1 PS/2 Keyboard, 1 PS/2 Mouse
<b>USB</b>	12 USB 2.0, 2 USB 3.0
<b>GPIO</b>	16-bit General Purpose I/O for 8-bit DI and 8-bit DO



# Block Diagram



## Ordering Information

<b>AX57Q</b>	90A-Q57001-M0000B2	AX57Q R10 ATX w/ USB 3.0 STD PCK
--------------	--------------------	----------------------------------

## Product Offering Until 2017

## Optional Accessory

<b>14GS0300020V04</b>	USB Cable w/ Bracket
<b>14GS0300021V04</b>	USB Cable w/o Bracket
<b>14GS0000072V04</b>	COM Cable w/ Bracket

## Back Panel I/O Port

- 1 PS/2 Keyboard
- 1 PS/2 Mouse
- 1 VGA Port
- 1 DVI-D Port
- 4 USB 2.0 Ports
- 2 USB 3.0 Ports (optional)
- 2 LAN RJ45 Ports
- 1 eSATA Port
- Audio I/O (3 Jacks)

## Internal I/O Connector

- 1 PCI-E x 16 Slot
- 1 PCI-E x 4 Slot
- 1 PCI-E x 1 Slot
- 4 PCI Slots
- 4 USB Connectors support 8 USB Ports
- 4 COM Port Connectors (5V/ 12V)
- 5 SATA Connectors
- 1 Front Audio Connector
- 1 S/PDIF Out Connector
- 1 CD-in Connector
- 1 Front Panel Connector
- 1 CPU Fan Connector
- 1 System Fan Connector
- 1 GPIO Connector
- 1 SPI Connector
- 1 LPT Connector
- 1 LAN LED Connector

## Power

<b>Power Requirement</b>	+12V	+5V	+3.3V	5VSB
	7.88A	2.05A	3.04A	0.45A
<b>Power Type</b>	ATX			
<b>Power Connector</b>	1 24-pin ATX Power Connector, 1 4-pin ATX 12V Power Connector			

## Mechanical & Environmental

<b>Operating Temperature</b>	0°C to 60°C (32°F to 140°F)
<b>Operating Humidity</b>	0% to 90% Relative Humidity, non-condensing
<b>Dimensions (L x W)</b>	12" x 9.6" (304.8 x 243.84 mm)
<b>Weight</b>	1.32 lbs (0.6Kg)

\*\* The product information and specifications are subject to change without prior notice.  
\*\* All the rights of above logos and trademarks belong to their representative owners.