

FOX-81D

8.4" Heavy-Duty Touch Display

07

Industrial Touch Display Solutions



Features

- 8.4" SVGA TFT (800 x 600), 450 Nits
- IP-65 Water-Proof & Marine IEC60945 ed.4 Compliant
- Anti-Fog Design: LCD+ TS Bonding Technology
- Brightness Adjustment



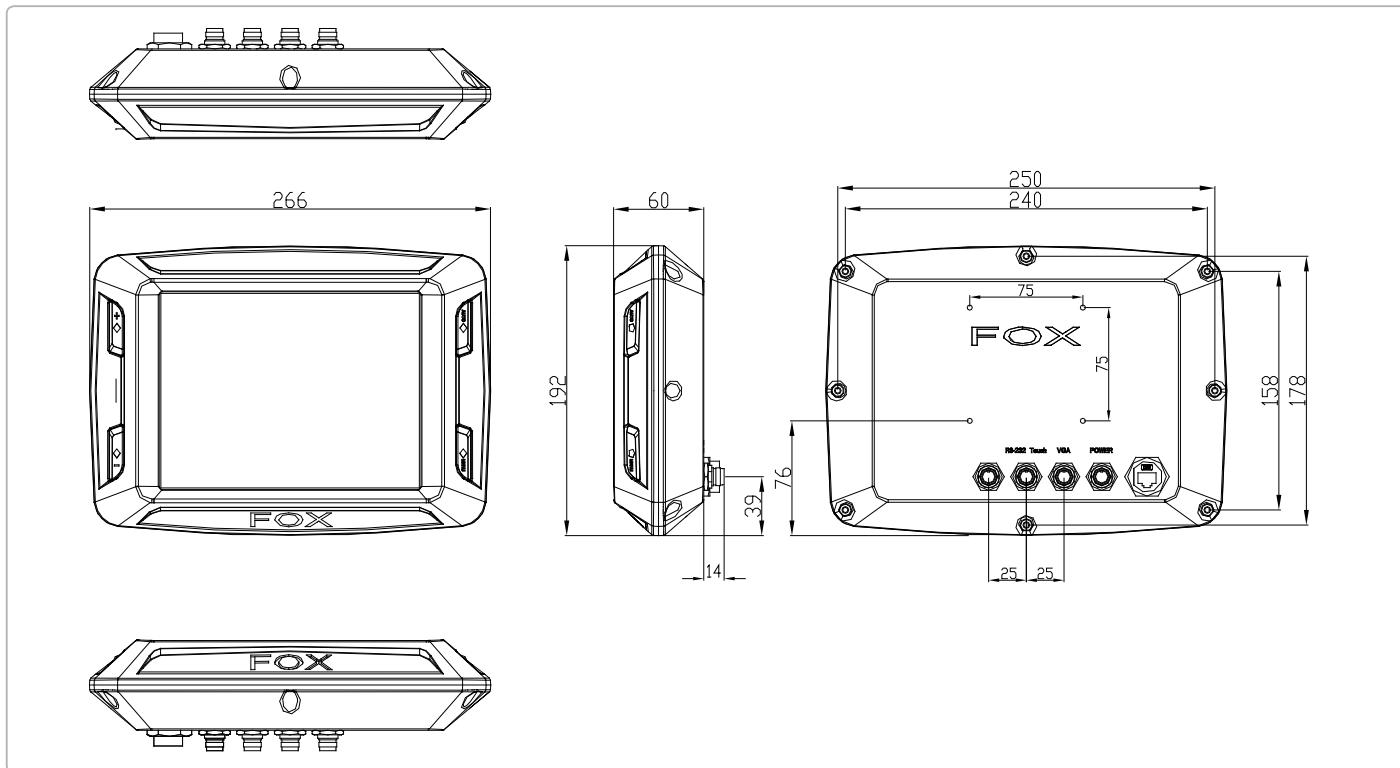
Specifications

System	
Input Signal	VGA
On Screen Display Control	Brightness, Contrast, Phase, Sharpness, AutoTune, H/V-position
I/O Connector	VGA x 1, USB x 1
OS Support	Windows® XP, Windows® 7, Linux Fedora
Mechanical	
Construction	IP-65 Sealed Aluminum Alloy Chassis
Mounting	VESA 75
Dimension	10.47" x 7.56" x 2.36" (266mm x 192mm x 60mm)
Carton Dimension	13.86" x 12.91" x 7.72" (352mm x 196mm x 328mm)
Gross Weight	6.6 lb (3 kg)
Net Weight	4.4 lb (2 kg)
Environmental	
Operating Temperature	32°F ~ 122°F (0°C ~ 50°C)
Storage Temperature	-22°F ~ 140°F (-30°C ~ 60°C)
Storage Humidity	10%~95% @ 40°C; non-condensing
Vibration	1 g rms/ 5~500Hz/ Random operation
Shock	15 G peak acceleration (11 msec. Duration)
EMC	CE/FCC Class A, IEC 60945 ed.4
Power Supply	
DC Input	DC 9~30V
LCD	
Display Type	8.4" TFT-LCD
Max Resolution	800 x 600
Max. Colors	16.2M colors
Luminance	450 nits
Viewing Angle	160°(H)/140°(V)
Back Light	LED
Back Light MTBF (hours)	50,000
Touchscreen	
Type	5-wire Resistive
Light Transmission	80%
Lifetime (Times)	35 million activations

FOX-81D

Dimension

Unit: mm



Ordering Information

Part Number	Display Type	Max Resolution	Luminance	View Angle	Backlight MTBF (Hours)	Display	Mounting	Power	Temp.	Touch	Other
FOX-81DHTT-A1-1010	8.4" TFT-LCD	800 x 600	450 cd/m ²	160(H), 140(V)	50,000	VGA x 1	VESA 75/100	DC 9-30V	0°C ~ 50°C (w/o air)	5-wire Resistive	—

Packing List

- VGA Cable with Waterproof Connector
- Water Proof Connector for DC-in (Female)
- RS-232 Cable with Waterproof Connectors
- CD-ROM for Manual (in PDF Format) and Drivers
- FOX-81D

Optional Accessories

- **1757910004**
AC Adapter (100W)
- **1702031802**
AC adapter Power Cord (US Type)
- **1702031803**
AC Adapter Power Cord (European Type)
- **170203180E**
AC Adapter Power Cord (Japanese Type)
- **1709151000**
(TF) EXT VGA Cable, DB15(M), M12 8P(F), 100cm, For FOX-81D
- **1700091001**
(TF) M12 Cable, 9P(F) D-SUB to M12(F), 100cm, For FOX-81D
- **M990FOX001**
(TF) Metal, M12 Waterproof Cap, Ass'y Screw 3-Pin F Connector, to F Pin, for FOX Serial, LTW, LTW12-03BFFA-SL8001