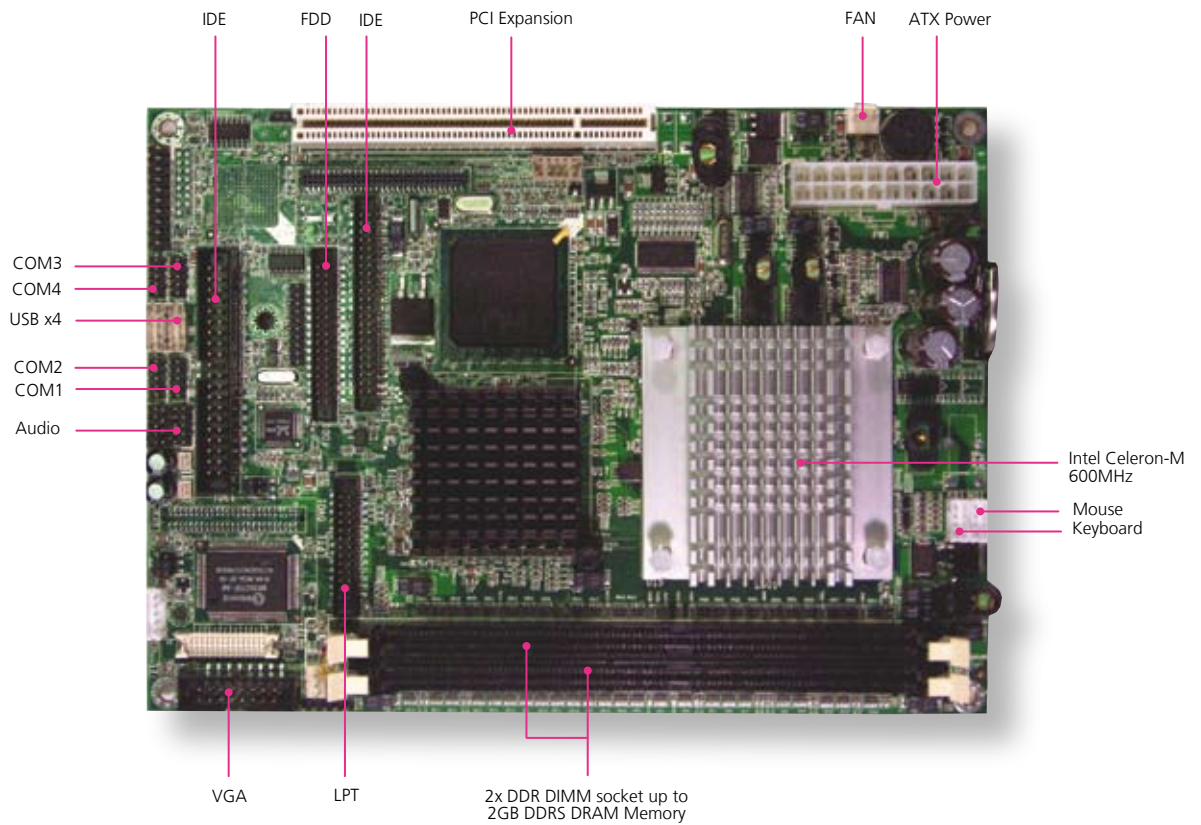


# EM-9570

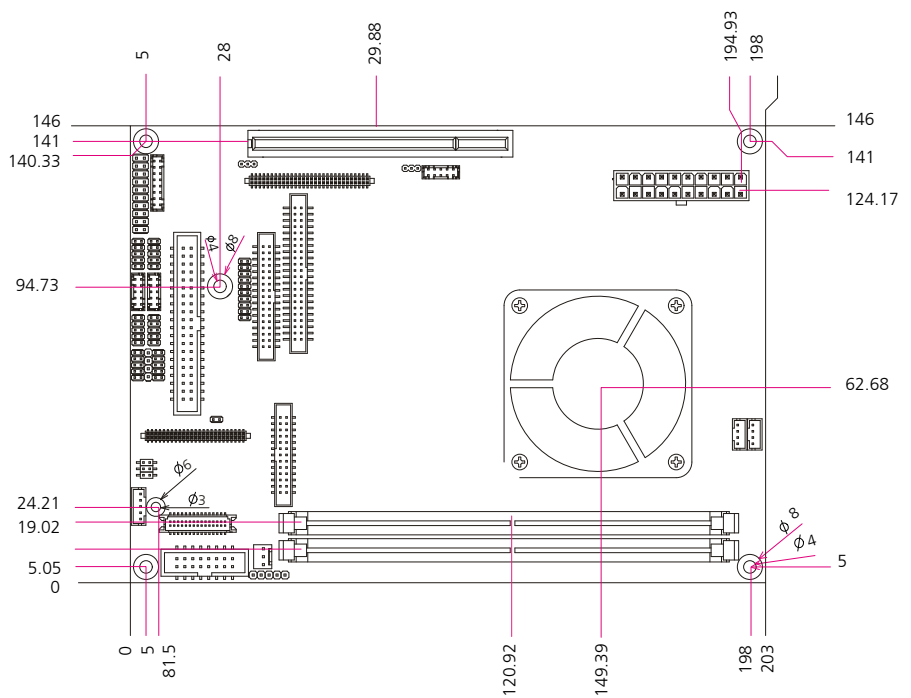
5.25" Intel® ULV Celeron®-M 600MHz EBC with VGA/ Audio/ LAN/ USB 2.0/ CF

- VGA
- LCD
- AUDIO
- LAN
- CF
- USB



## FEATURES

- Intel ULV Celeron-M 600MHz CPU Onboard
- Intel 852GM/1CH 4 Chipset
- 10/100M Base-T Ethernet & AC'97 Audio
- Type I/II CompactFlash socket
- 4 x USB 2.0 ports and 4 COMs / 1 Parallel / 1 IrDA
- 5.25" form factor

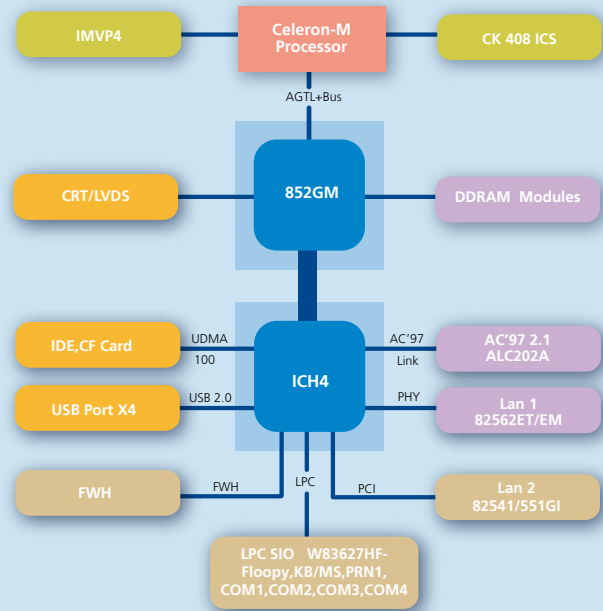


FEATURE	DESCRIPTION		
<b>Platform</b>	Form Factor	5.25" EBC	
	Processor	Onboard Intel ULV Celeron 600MHz	
	Chipset	Intel 852GM GMCH / ICH4	
	BIOS	Award Flash BIOS	
	Cache Memory	Processor Built-in	
<b>System Memory</b>	Technology	DDR266 SDRAM	
	Max Capacity	2GB	
	Socket	184-pin DIMM x2	
<b>Storage Interface</b>	IDE Interface	IDE x2	
	SSD (CF Socket)	CompactFlash I/II x1	
<b>Networking</b>	Speed	10/100 Mbps	
	I/O	RJ45 x1	
	Controller	Intel 82562EM PHY	
<b>Display</b>	Controller	Intel 852GM GMCH integrated 2D/3D Graphics Engine	
	Output	CRT, LVDS	
<b>Audio</b>	Codec	AC'97 codec	
	I/O	Mic-in, Line-in, Line-out	
	Floppy Drive Interface	FDD header x 1	
	Serial Port	RS-232 x3, RS-232/422/485 x1	
<b>I/O Interface</b>	Parallel Port	1	
	Universal Serial Bus	4 (v2.0)	
	Serial-ATA	-	
	Digital I/O	4-bit input, 4-bit output	
	Bus interface	PCI	
	IR Interface	115k bps, IrDA 1.0 compliant	
	Keyboard	PS/2	
	Mouse	PS/2	
	<b>Hardware Monitoring</b>	Controller	Winbond W83627HF-AW intergated Hardware monitor funciton
		RTC	Winbond W83627HF-AW integrated RTC within Li-Battery
Watchdog timer		256-level time-out intervals	
<b>Cooling</b>	Heatsink & Fan		
<b>Expansion</b>	PCI x1		
<b>Environmental Parameters</b>	Temperature, ambient operating	0~60°C (32~140°F)	
	Humidity (RH), ambient operating	5~95% relative humidity, non-condensing	
	Storage Temperature	-20~70°C (-4~158°F)	
<b>Physical Dimensions</b>	Dimensions	203 X 146 mm (8.0" x 5.7")	
<b>Power</b>	Input	DC +5V/+12V	
	Form Factor	AT/ATX support	
<b>Compliance</b>	CE, FCC, RoHS		

## ORDERING INFORMATION

**EM-9570** EBC with Intel ULV Celeron M 600MHz

## PLATFORM ARCHITECTURE



### About Lanner

Founded in 1986 and publicly listed (TAIEX 6245) since 2003, Lanner Electronics Inc. is an ISO 9001 certified designer and manufacturer of reliable, frontline security, storage and applied computing platforms and solutions. With headquarters in Taipei, Taiwan and branches in the U.S., India, and China, Lanner is uniquely positioned to deliver custom technical solutions with localized, value-added service.

### Contact information

Lanner Electronics Inc  
7F, 173, Section 2 Datong road  
Sijhih City, Taipei County 221, Taiwan

**T** +886 2 86926060

**F** +886 2 86926101

**E** sales@lannerinc.com

**W** www.lannerinc.com