

LCD Kits Series

6.5" ~ 19" LCD Kits with OSD Function

1
Automation



Features

1. Robust chassis and retention kit structure for resisting shock and vibration
2. Over 300cd/m² high brightness and 50000hrs MTFB long lifetime panel
3. Analog VGA interface supports most of general system boards
4. 800 and 1000 nits super high brightness available



2
Point of Service

3
Digital Signage

Specifications

Note: The smartOSD function is supported by revision 11 models and above

| | LCD-KIT65GH | LCD-KIT084GH | LCD-KIT104GH | LCD-KIT121GLCD-KIT121GX | LCDE-KIT150G | LCD-KIT170G | LCD-KIT190G | SRM-KIT121G SRM-KIT121XA | SRM-KIT150G |
|-----------------------------------|-------------------------------|----------------------|----------------------|--------------------------------------|----------------------|--------------------|----------------------|--------------------------------------|--------------------|
| LCD TYPE | 6.5" TFT | 8.4" TFT | 10.4" TFT | 12.1" TFT | 15" TFT | 17" TFT | 19" TFT | 12.1" TFT | 15" TFT |
| Input Interface | VGA | VGA | VGA | VGA | VGA+DVI-D | VGA+DVI-D | VGA+DVI-D | VGA+DVI-D | VGA+DVI-D |
| Max Resolution | 640 x 480 (VGA) | 800 x 600 (SVGA) | 800 x 600 (SVGA) | 800 x 600 (SVGA) 1024 x 768 (XGA) | 1024 x 768 (XGA) | 1280 x 1024 (SXGA) | 1280 x 1024 (SXGA) | 800 x 600 (SVGA) 1024 x 768 (XGA) | 1024 x 768 (XGA) |
| Backlight MTBF | 50000Hrs | 50000Hrs | 50000Hrs | 50000Hrs | 50000Hrs | 50000Hrs | 50000Hrs | 50000Hrs | 50000Hrs |
| Contrast | 450:1 | 400:1 | 500:1 | 500:1 / 700:1 | 400:1 | 500:1 | 700:1 | 700:1 | 600:1 |
| LCD Color | 262K | 262K | 262K | 262K | 262K | 16.2M | 16.2M | 262k | 262k |
| Brightness (cd/m ²) | 500 (High Luminance) | 450 (High Luminance) | 400 (High Luminance) | 400 450 (High Luminance) | 350 | 300 | 300 | 1000 | 800 |
| AD BOARD | AV-9350 | AV-5350 | AV-5350 | AV-5300 | AV-5300 | AV-5300 | AV-5300 | AV-5300 | AV-5300 |
| Adapter (12VDC output to LCD kit) | 25W 63000-UP0251E12PL02-RS | | | 45W 63000-UP0451E12P81L-RS | | | | | |
| Chassis | Heavy-duty steel | | | | | | | | |
| View Angle (H/V) | 140°/120° | 120°/100° | 120°/100° | 140°/100° 160°/160° | 120°/100° | 140°/130° | 140°/130° | 130°/120° 120°/120° | 150°/110° |
| OSD function | Yes | | | | | | | | |
| Smart OSD | Yes | | | | | | | | |
| Mounting | Panel | | | | | | | | |
| Dimension (W)X(H)X(D) (mm) | 203.4 x 121 x 34 | 234 x 147 x 35.3 | 242.2 x 209 x 33.6 | 294 x 240.7 x 42 | 364.1 x 262.5 x 41.9 | 390.4 x 300 x 46.9 | 427.9 x 327.4 x 48.4 | 316 x 224.4 x 47.9 | 364.1 x 262.5 x 46 |
| Operation Temperature (°C) | 0°C ~ 50°C | | | | | | | -10°C ~ +60°C | |

4
RISC-based Solutions

5
Medical Solutions

Ordering Information

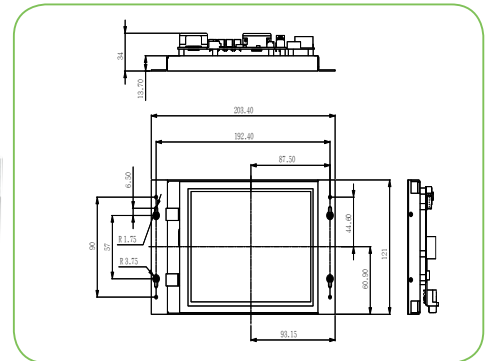
Note: The smartOSD function is supported by revision 11 models and above

| Part No. | Description |
|--------------|---|
| 6.5" | LCD-KIT65GH 6.5" 500cd/m ² High Luminance VGA TFT LCD kit, VGA input, RoHS |
| 8.4" | LCD-KIT084GH-R12 8.4" 400cd/m ² High Luminance SVGA TFT LCD kit, VGA input, RoHS |
| | LCD-KIT084GHM-R12 8.4" 400cd/m ² High Luminance SVGA TFT LCD kit, VGA input, 9~36 V DC input, RoHS |
| 10.4" | LCD-KIT104GH-R12 10.4" 400cd/m ² High Luminance SVGA TFT LCD kit, VGA input, RoHS |
| | LCD-KIT104GHM-R12 10.4" 400cd/m ² High Luminance SVGA TFT LCD kit, VGA input, 9~36 V DC input, RoHS |
| 12.1" | LCD-KIT121G-R11 12.1" 400cd/m ² SVGA TFT LCD kit, VGA and DVI-D input, RoHS |
| | LCD-KIT121GM-R11 12.1" 400cd/m ² SVGA TFT LCD kit, VGA and DVI-D input, 9~36 V DC input, RoHS |
| | LCD-KIT121GX-R11 12.1" 450cd/m ² XGA TFT LCD kit, VGA and DVI-D input, RoHS |
| | LCD-KIT121GXM-R11 12.1" 450cd/m ² XGA TFT LCD kit, VGA and DVI-D input, 9~36 V DC input, RoHS |
| | SRM-KIT121G-R11 12.1" 1000 cd/m ² Sun Rdadable SVGA TFT LCD kit, VGA and DVI-D input, RoHS |
| 15" | LCD-KIT150G-R11 15" 350cd/m ² XGA TFT LCD kit, VGA and DVI-D input, RoHS |
| | LCD-KIT150GM-R11 15" 350cd/m ² XGA TFT LCD kit, VGA and DVI-D input, RoHS |
| | SRM-KIT150G-R11 15" 800 cd/m ² Sun Rdadable XGA TFT LCD kit, VGA and DVI-D input, RoHS |
| 17" | LCD-KIT170G-R11 17" 300cd/m ² SXGA TFT LCD kit, VGA and DVI-D input, RoHS |
| | LCD-KIT170GM-R11 17" 300cd/m ² SXGA TFT LCD kit, VGA and DVI-D input, 9~36 V DC input, RoHS |
| 19" | LCD-KIT190G-R11 19" 300cd/m ² SXGA TFT LCD kit, VGA and DVI-D input, RoHS |
| | LCD-KIT190GM-R11 19" 300cd/m ² SXGA TFT LCD kit, VGA and DVI-D input, 9~36 V DC input, RoHS |

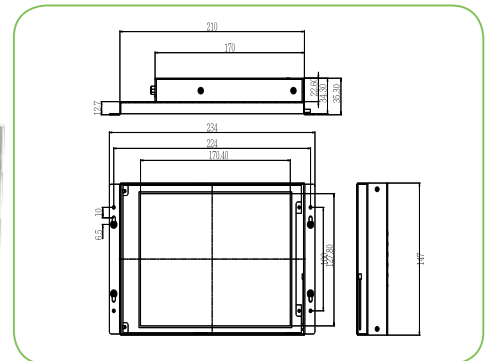
Remark: All the 9~36V DC input models are built to order.

Dimensions

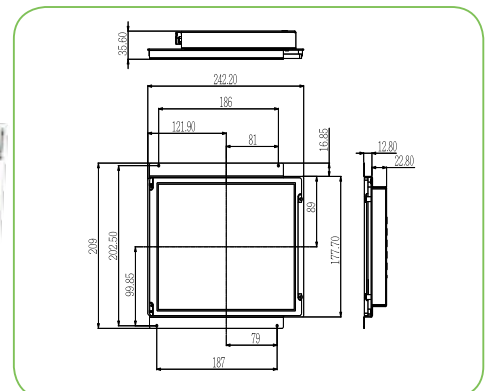
LCD-KIT65G



LCD-KIT084G



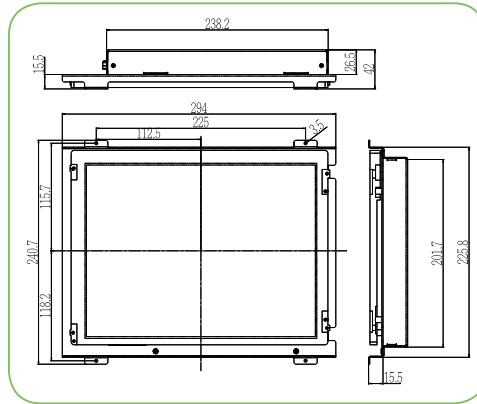
LCD-KIT104G



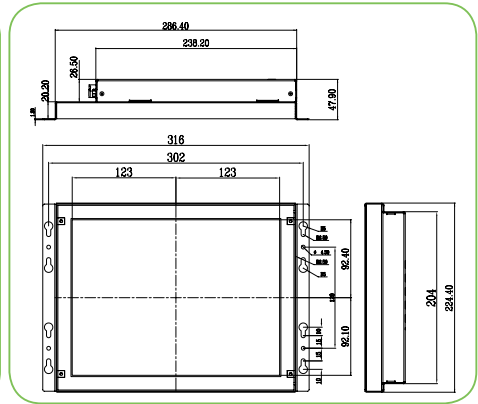
1
Automation



LCD-KIT121G



SRM-KIT121G



2
Point of Service

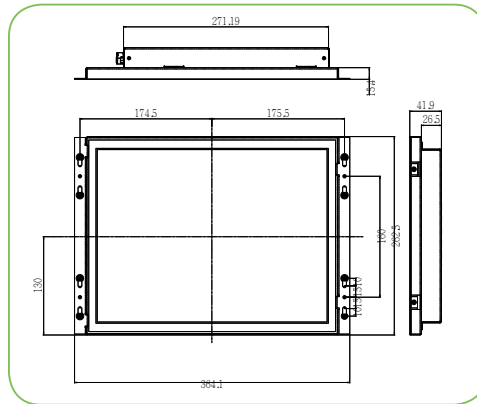
3
Digital Signage

4
RISC-based Solutions

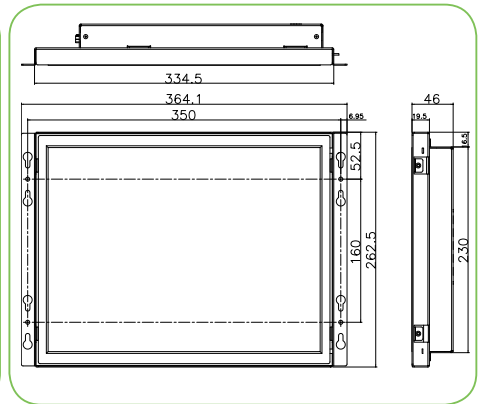
5
Medical Solutions



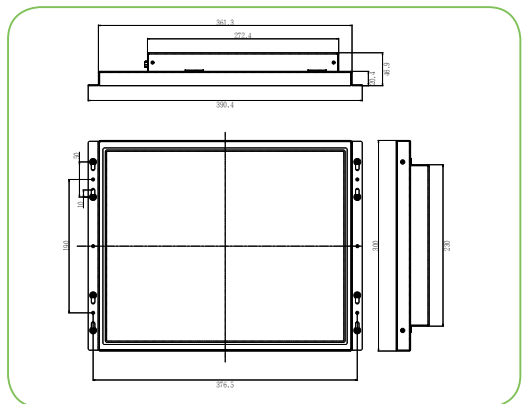
LCD-KIT150G



SRM-KIT150G



LCD-KIT170G



LCD-KIT190G

