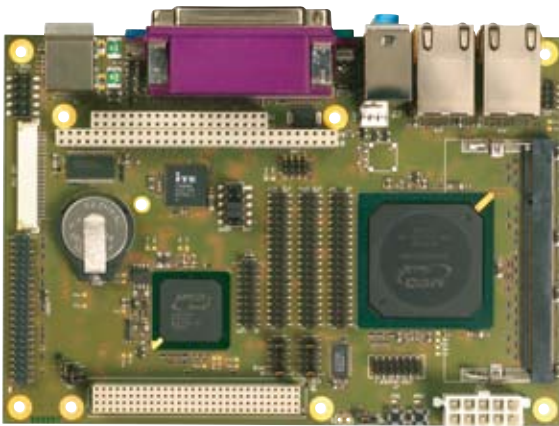


Hurricane-LX800

EPIC Single Board Computer

AMD Geode™ LX800 Processor



Features

AMD Geode™ LX800 Processor, 500 MHz, 1 GB DDR333 RAM max

Graphics up to 1920 x 1440 pixels - CRT, TFT, LVDS, with backlight

Dual port LAN switch, 4 x USB 2.0

2 x RS232/RS422/RS485, 1 x RS485/Irda

IDE Ultra ATA100, uDOC socket

Opt. ext. temperature range -40 °C...+85 °C

Specifications

Board Format	EPIC, 115 mm x 165 mm (4.5" x 6.5")
Processor	AMD Geode LX800@0.9W
Speed	500 MHz
Core Logic	I/O companion: CS5536 Super I/O: ITE8712
RAM (max.)	1 GB DDR333-SODIMM
RAM clock	333 MHz
Graphics	Integrated in the Geode LX800. Up to 254 MB video memory.
CRT	Analog VGA 1920 x 1440 pixel at 85 Hz max.
TFT	Single channel, 18 bits 1600 x 1200 pixel at 60 Hz max.
LVDS	Single channel, 18 and 24 bits 1600 x 1200 pixel at 60 Hz max.
USB	4 x USB 2.0 host ports
Ethernet	100/10 MBit Micrel KSZ8842 dual port Ethernet switch
Serial	2 x RS232/RS422/RS485 1 x RS485/Irda
IDE	1 x Ultra ATA100 (ATA6) port
uDOC	10 pin header for USB 2.0 Flash Drives
Floppy	Up to 2.44 MB
Audio	AC97, 6-channel (5.1) audio with 3.5mm connector

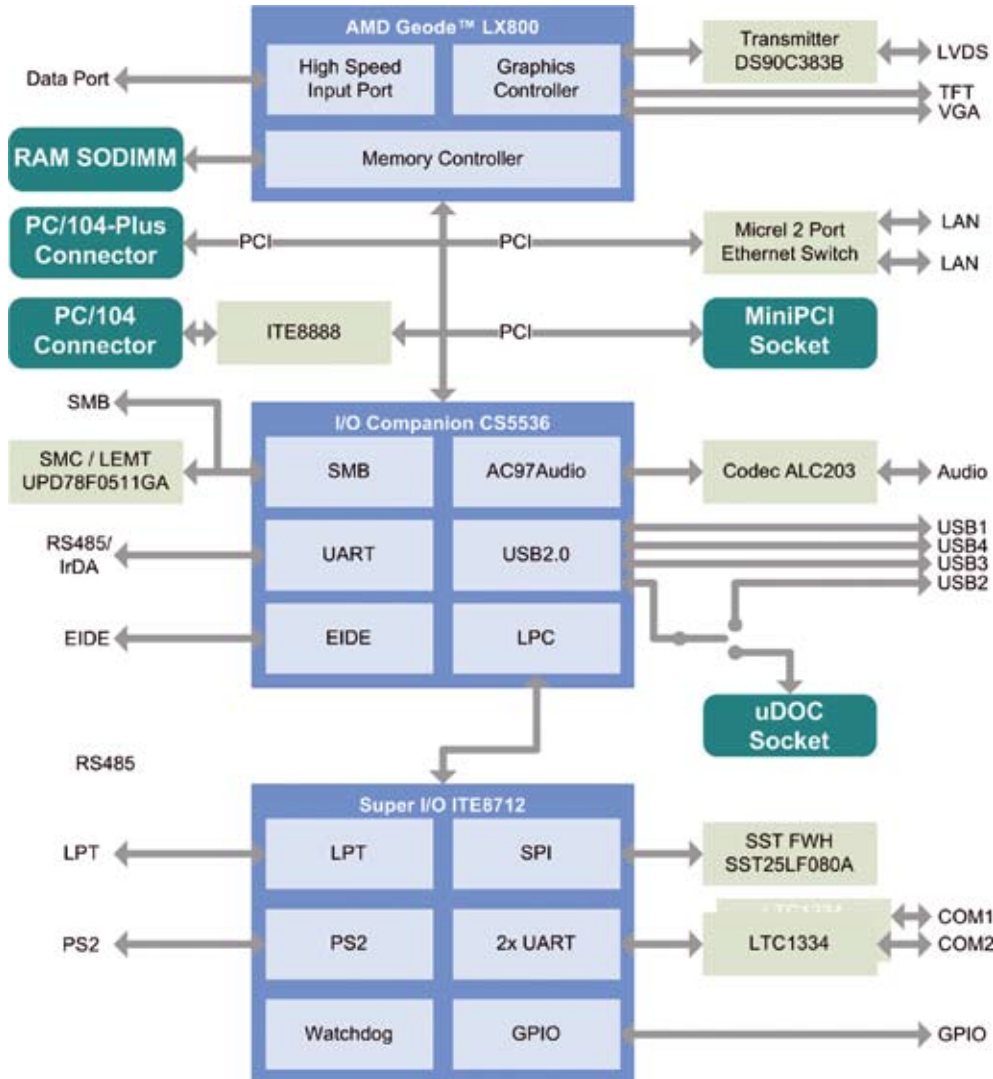
LPT	Multi-Mode™ bi-directional Parallel
PS2	Keyboard, mouse
Digital I/O	29 general purpose I/O signals
Analog I/O	8 channels, 8 bit, 0...4.096V
High Speed Input Port	Raw 16 bit input with 300 Mb/s isochronous capture Video: VESA 1.1, 2.0 and BT.656 compliant.
RTC Backup	Yes
Watchdog	Yes
Status LED	HDD, power, standby
ISA Bus	PC/104, with full DMA capability
PCI Bus	PC/104-Plus, MiniPCI, 3.3V compliant
LPC Bus	Available
RTC Backup	Battery on board
Power Supply	10 pin mini-ATX power connector. All voltages are generated on-board.
Power Consumption	5.25W typical 7W maximum
Operating temperature	-20 °C...+60 °C -40 °C...+85 °C (optional)
Cooling	Passive
MTBF	248 283 hours at 25 °C
BIOS	Insyde Technology BIOS parameters are also saved in FEPROM
Supported OS	Windows XP, XP Embedded, Windows CE, Linux, VxWorks

Hurricane-LX800

EPIC Single Board Computer

AMD Geode™ LX800 Processor

Block Diagram



Ordering Information

Ordering Number	Description
<i>t</i> 10-0001-10	EPIC board with AMD Geode LX800, 4 x USB2.0, RTC, IDE, floppy disk, 2 x COM, LPT, PS/2 keyboard and mouse, watchdog, VGA, LCD, LVDS, 2 x Fast Ethernet, 8 Bit I/O, AC97 Sound.

Note: *t* denotes the temperature range. Substitute with 8 for industrial and 9 for extended temperature range