

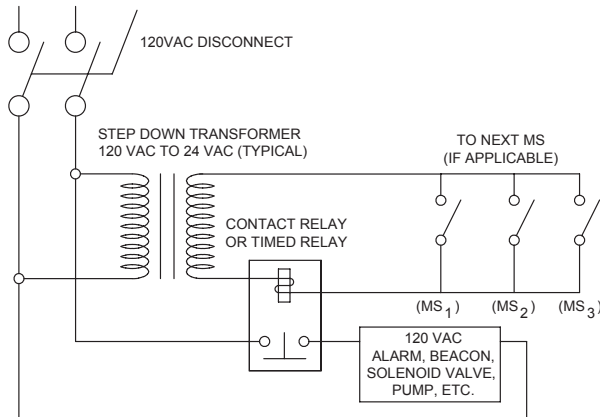
Model 375/475MS Series

Integral Relief Valve Monitor Switch (2 1/2" thru 10")

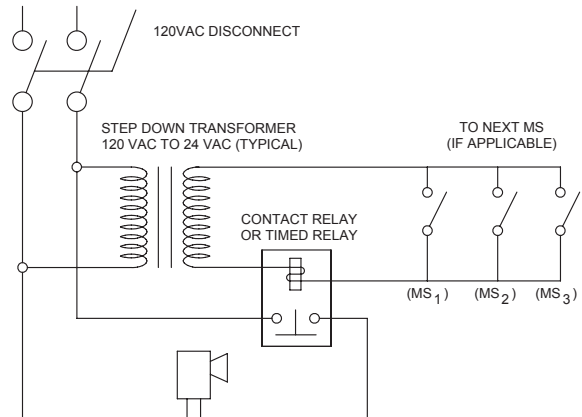
WILKINS®

a ZURN® company

□ Installation □ Maintenance Instructions



MULTI PURPOSE CIRCUIT



NOTIFICATION CIRCUIT W/TIMED RELAY

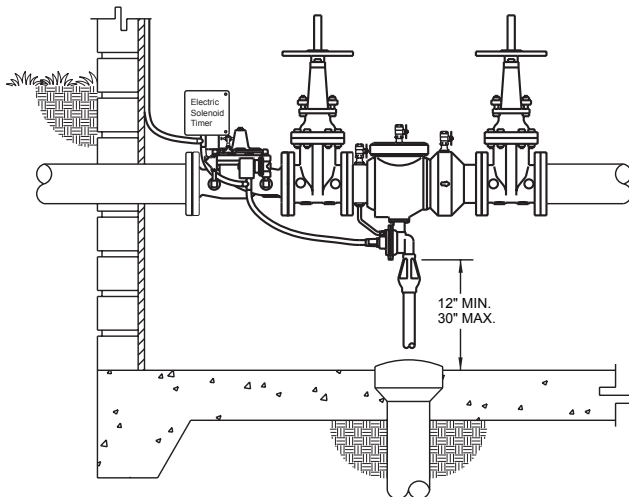
FEATURES

- Supplied with normally open contacts
- Weather resistant housing & wiring leads
- Switch contact rating: 0.4A @ 24VAC
- Switch is factory installed and ready for immediate installation to appropriate electric circuit

APPLICATION

The Integral Relief Valve Monitor Switch, when connected to a low voltage alarm circuit, electrically supervises the relief valve in the closed position. In the event of a backflow condition, the relief valve closes an electrical contact thereby completing an electrical circuit to signal that a possible relief valve discharge may be occurring. A timed relay can be used with a 10 second delay to prevent water hammer or inlet pressure fluctuations from causing an alarm. In addition to being used for notification, the Integral Relief Valve Monitor Switch can be used for the following:

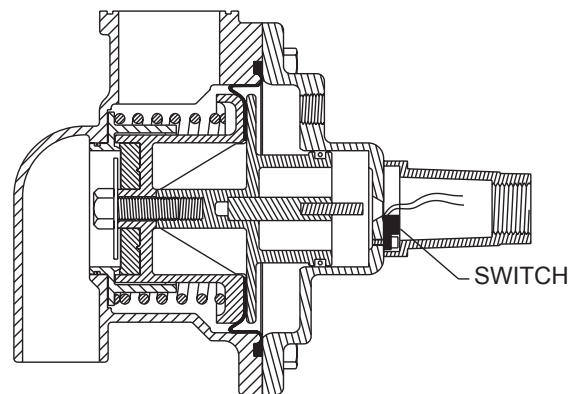
- Pump actuation.
- Solenoid valve actuation for closure of inlet or outlet piping
- System equipment shutdown
- Initiation of system equipment when installed in point-of-use applications (see spec sheet EST for more information)



Model 375MS

with ZW206 Solenoid Control Valve and EST Electronic Solenoid Timer

In all applications, the Integral Relief Valve Monitor Switch should only be used in low voltage circuits. Be certain to consult local and national electrical codes regarding fusing, grounding and proper electrical etiquette.



WARRANTY: WILKINS Valves are guaranteed against defects of material or workmanship when used for the services recommended. If in any recommended service, a defect develops due to material or workmanship, and the device is returned, freight prepaid, to WILKINS within 12 months from date of purchase, it will be repaired or replaced free of charge. WILKINS' liability shall be limited to our agreement to repair or replace the valve only.

Proposition 65 Warning This product contains chemicals known to the State of California to cause cancer or birth defects or other reproductive harm.

WILKINS, a ZURN company

1747 Commerce Way, Paso Robles, CA 93446 Phone:805-238-7100 Fax:805-238-5766