

# ACP-4320

## 4U Rackmount Chassis with Front-Accessible SATA HDD Trays for Easy Maintenance

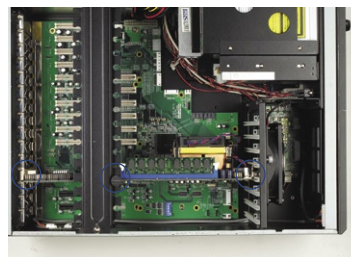
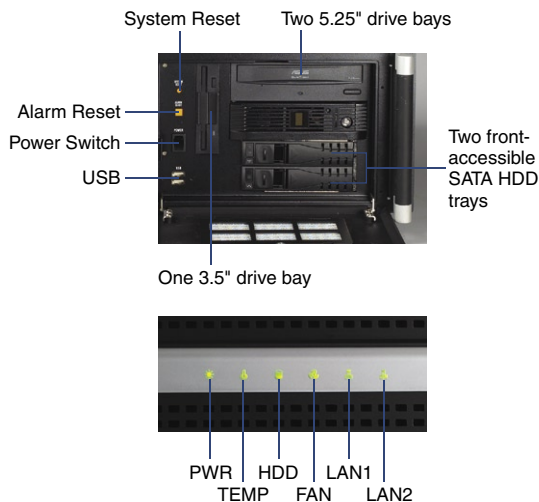


### Features

- New generation of 4U general-purpose IPC chassis with latest series industrial PC design
- Dual front-accessible and easy-to-maintain SATA HDD trays for data mirroring applications
- Shock-resistant drive bay design supports up to two 5.25" and one 3.5" disk drives
- Viewable front indicators for LAN connectivity and alarm notification of redundant power supply, HDD activity, system fan & in-chassis temperature
- Reusable, front-accessible fan filters for easy system maintenance
- Supports front USB interface
- Lockable front door prevents unauthorized access
- Versatile power supply options from single PS/2 300 W/400 W to redundant 300 W/400 W power supply

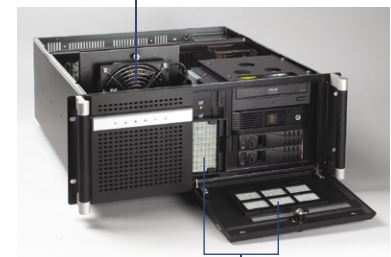
### Specifications

Drive Bay	5.25"	2	Front-accessible
	3.5"	2 SATA HDDs + 1	
Cooling	Fan	1 x 114 CFM, 1 x 28 CFM	
	Air Filters	Yes	
I/O interfaces	USB	2 (front-accessible)	
Miscellaneous	Notification LEDs	PWR, HDD, FAN, TEMP, LAN1 and LAN2	
	Openings on real panel	BP version: One D-Sub 9-pin opening MB version: Five D-Sub 9-pin & one 68-pin SCSI openings	
	Slide Rails	General Devices ( <a href="http://www.generaldevices.com">http://www.generaldevices.com</a> ) C-300 series supported (not included)	
Environment	Temperature	Operating: 0 ~ 40° C (32 ~ 104° F)	Non-Operating: -20 ~ 60° C (-4 ~ 140° F)
	Humidity	10 ~ 85 % @ 40° C, non-condensing	
	Vibration (5-500 Hz)	1 Grms	2 G
	Shock	10 G (with 11 ms duration, half sine wave)	30 G
	Acoustic Noise	Less than 54 dB sound pressure at 5 ~ 28° C (41 ~ 82° F)	
	Altitude	0 to 3,048 m (0 ~ 10,000 ft)	
Physical Characteristics	Dimensions (W x H x D)	482 x 177 x 478 mm (19" x 7" x 18.8")	
	Weight	18.0 kg (39.6 lb)	



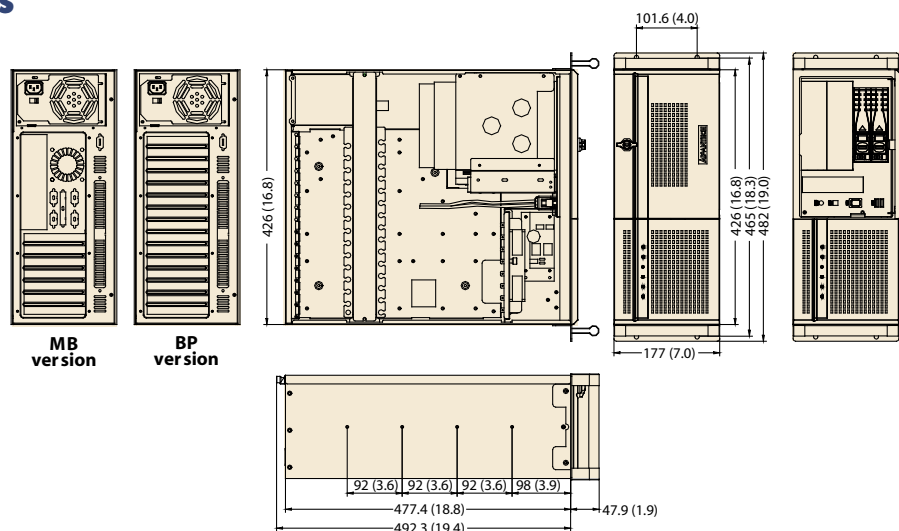
Enhanced anti-vibration mechanical design for PICMG 1.3 full-sized CPU card

Easy-to-replace system fan design



Reusable and easy-to-maintain fan filters

## Dimensions



Unit: mm (inch)

## Power supply

Part Number	Watt	Input	Output	Specifications		
				Mini-load	Safety	MTBF
PS-300ATX-ZBE (ATX, PFC)	300 W	AC 100 ~ 240 V (full-range)	+5 V @ 30 A, +3.3 V @ 28 A, +12 V @ 15 A, -5 V @ 0.3 A, -12 V @ 0.3 A, +5 Vsb @ 2 A	+5 V @ 0.1 A, +3.3 V @ 0.3 A	UL/cUL/TUV/CB/CCC	100,000 hrs @ 25° C
PS-400ATX-ZBE (ATX, PFC)	400 W	AC 100 ~ 240 V (full-range)	+5 V @ 35 A, +3.3 V @ 25 A +12 V @ 30 A, -5 V @ 0.8 A -12 V @ 1 A, +5 Vsb @ 2 A	+5 V @ 3 A, +3.3 V @ 1 A +12 V @ 1 A, +5 Vsb @ 0.1 A	UL/cUL/TUV/CB/CCC	100,000 hrs @ 25° C
RPS-300ATX-ZE (ATX, PFC)	300 W	AC 100 ~ 240 V (full-range)	+5 V @ 25 A, +3.3 V @ 18 A +12 V @ 16 A, -5 V @ 0.5 A -12 V @ 1.2 A, +5 Vsb @ 2 A	+5 V @ 3 A, +3.3 V @ 1 A +12 V @ 2 A, +5 Vsb @ 0.1 A	UL/cUL/TUV/CB/CCC	100,000 hrs @ 25° C
RPS-400ATX-ZE (ATX, PFC)	400 W	AC 100 ~ 240 V (full-range)	+5 V @ 35 A, +3.3 V @ 25 A +12 V @ 28 A, -5 V @ 0.5 A -12 V @ 1.2 A, +5 Vsb @ 2 A	+5 V @ 3 A, +3.3 V @ 1 A +12 V @ 2 A, +5 Vsb @ 0.1 A	UL/cUL/TUV/CB/CCC	100,000 hrs @ 25° C

## Passive Backplane Options

Part Number	Slot	Segment
PCE-7B13-64A1E	2 PCIe x8, 6 PCI-X, 4 PCI, 1 PICMG (PICMG 1.3)	Single
PCE-5B12-64A1E	1 PCIe x16, 6 PCI-X, 4 PCI, 1 PICMG (PICMG 1.3)	Single
PCA-6114-0B2E	14 ISA	Single
PCA-6114P7-0D3E	4 ISA, 6 PCI, 3 PICMG, 1 PCI/ISA	Single
PCA-6114P10-0B2E	2 ISA, 10 PCI, 2 PICMG	Single
PCA-6113P4R-0C2E	7 ISA, 4 PCI, 2 PICMG	Single
PCA-6114P12-0B3E	1 ISA, 11 PCI, 1 PICMG/PCI, 1 PICMG	Single
PCA-6113P7XE	4 ISA, 7 PCI (64-bit), 2 PICMG	Single
PCA-6114P12X-0A2E	1 ISA, 11 PCI (64-bit), 1 PICMG/PCI, 1 PICMG	Single

## Ordering Information

Part Number	With Power Supply	Mother Board/ Backplane	Regulation
<b>MB version</b>			
ACP-4320MB-00XE	Without power supply with ATX switch	Without	None
ACP-4320MB-30ZE	PS-300ATX-ZBE	Without	CE
ACP-4320MB-40ZE	PS-400ATX-ZBE	Without	CE
ACP-4320MB-30RE	RPS-300ATX-ZE	Without	CE
<b>BP version</b>			
ACP-4320BP-00XE	Without power supply with ATX switch	Without	None
ACP-4320BP-30ZE	PS-300ATX-ZBE	Without	CE
ACP-4320BP-40ZE	PS-400ATX-ZBE	Without	CE
ACP-4320BP-30RE	RPS-300ATX-ZE	Without	CE



Rear view of ACP-4320BP-30R



Rear view of ACP-4320MB

# AIMB-763

## LGA775 Core 2 Duo/Pentium 4/Celeron® D Processor-based ATX with DDR2/PCIe/Dual GbE LAN

**NEW**



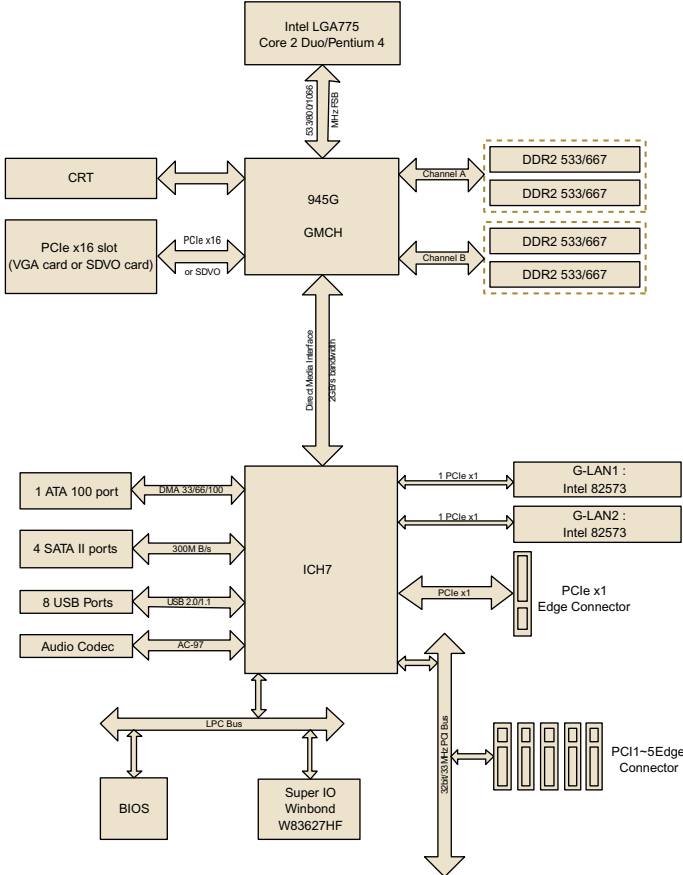
### Features

- Supports Core 2 Duo FSB 800/1066 MHz
- Dual channel DDR2 533/667 SDRAM up to 4 GB
- Chipset integrated VGA sharing 224 MB system memory
- PCIe x16 slot for VGA card
- Supports 10/100/1000Base-T Ethernet via dedicated PCIe x 1 bus

### Specifications

Processor System	CPU	Core 2 Duo	Intel Pentium 4	Intel Celeron D
	Max. Speed	2.66 GHz (Dual-core)	3.8 GHz	3.06 GHz
	L2 Cache	4 MB	2 MB/1 MB	512KB/256KB
	Chipset	Intel 945G + ICH7		
	BIOS	Award 8 Mb FWH		
	Front Side Bus	533/800/1066 MHz		
Expansion Slot	PCIe x16	4.0 GB/s per direction, 1 slot		
	PCIe x1	1.0 GB/s per direction, 1 slot		
	PCI	32-bit/33MHz, 5 slots		
Memory	Technology	Dual channel DDR2 533/667 MHz		
	Max. Capacity	4 GB		
	Socket	240-pin DIMM x 4		
Graphic	Embedded	Chipset integrated VGA controller sharing 224 MB system memory		
	Add-on	PCIe x16 slot		
Ethernet	Interface	10/100/1000 Base-T		
	Controller	G-LAN1: Intel 82573 G-LAN2: Intel 82573 (2 PCIe x1)		
	Connector	RJ45 with LED connector x 2		
SATA II	Max. Data Transfer Rate	300 MB/s		
	Channel	4		
EIDE	Mode	ATA 100/66/33		
	Channel	1 (Max. 2 devices)		
I/O Interface	VGA	1		
	USB	Max. 8 (USB 2.0 compliant), 4 ports on board		
	Audio	3 (LINE-Out, LINE-In, and MIC-In)		
	Serial	2 (for VG version); 4 (for G2 version). COM2 supports RS-232/422/285		
	Parallel	1 (SPP/EPP/ECP)		
	FDD	1		
	PS/2	2		
	GPIO	N/A		
Watchdog Timer	Output	Interrupt, system reset		
	Interval	Programmable 1 ~ 255 sec		
Power Requirement	Typical	Pentium 4 3.8 GHz (800 MHz FSB), 4 x 1 GB DDR2 667 SDRAM		
		+5 V	+3.3 V	+12 V
		3.10 A	1.54 A	9.90 A
Environment		Operating		Non-Operating
	Temperature	0 ~ 60 °C (32 ~ 140 °F), depends on CPU's speed and cooler solution.		-20 ~ 70 °C (-40 ~ 158 °F)
Physical Characteristics	Dimensions (W x D)	304.8 x 244 mm (12" x 9.6")		

### Block Diagram



### Ordering Information

Part Number	Embedded VGA	PCIe x16 for VGA	Gigabit LAN
AIMB-763VG-00A1E	Yes	Yes	Single
AIMB-763G2-00A1E	Yes	Yes	Dual

\* AIMB-763G2-00A1E requires minimum order quantity of 300 pcs.

### Bracket View



AIMB-763VG-00A1E



AIMB-763G2-00A1E

### Packing List

Description	Quantity
FDD cable	X 1
IDE HDD cable	X 1
Serial ATA HDD data cable	X 2
Serial ATA HDD power cable	X 2
COM port cable kit	X 1
I/O port bracket	X 1
Startup manual	X 1
Utility CD	X 1

### Accessories

Part Number	Description
1750000334	LGA775 CPU cooler up to 3.8 GHz (115 W), 4U, 5U and 7U chassis