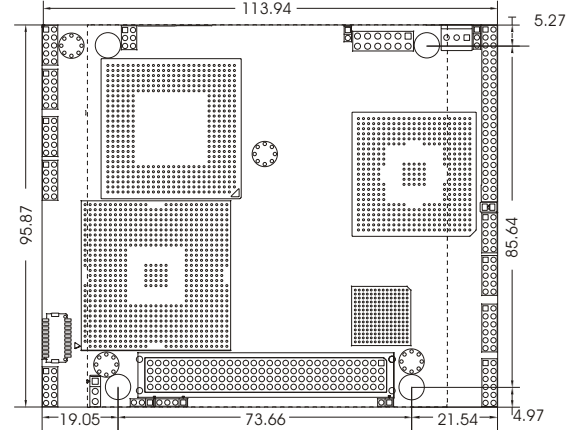
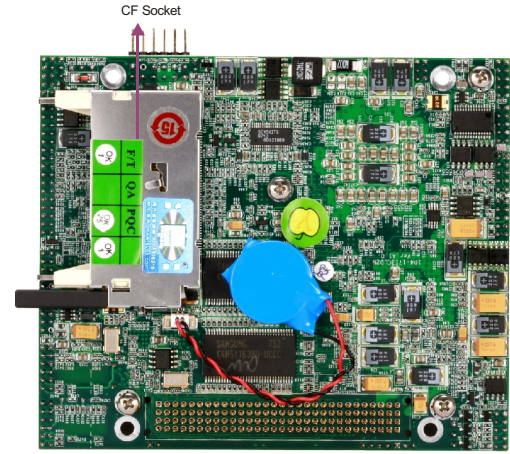
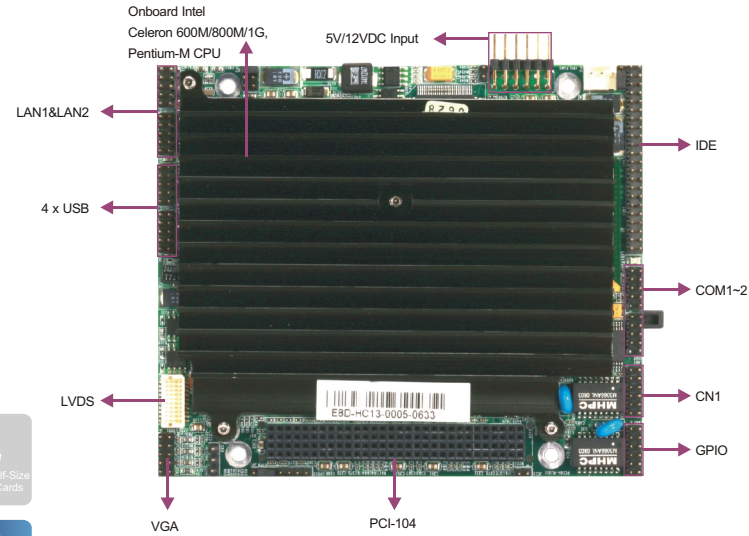


104-1713CLD2N

P4 Series SBC with CPU and LVDS/VGA/SSD/2LAN



Features

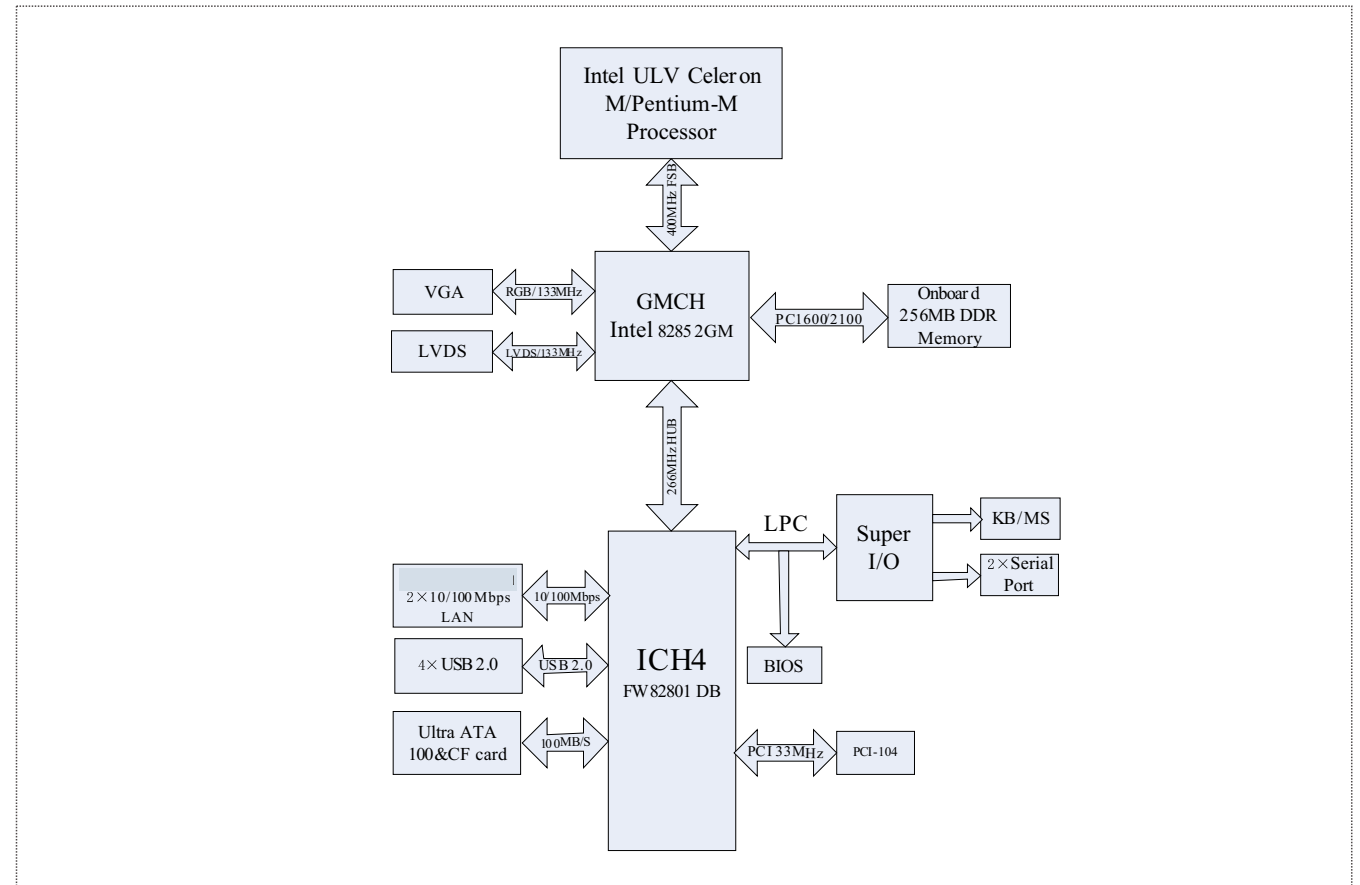
- Intel ULV Celeron® M 600MHz/Pentium M 1.4G CPU
- Onboard 256MB DDR memory
- Supports 2 x 10/100Mbps Ethernet interface
- Supports 4 x USB2.0, 2 x COM, 1 x IDE, 1 x CF, 1 x PCI-104
- Supports CRT+LVDS dual display

Specifications

System	
Processor	Supports Intel® ULV Celeron® M 600MHz, optional 800MHz/1.0G, Intel® Pentium®M 1.4G CPU
Chipset	Intel® 852GM+ICH4(82801DB)
Memory	Onboard 256MB DDR memory
Watchdog Timer	Monitors CPU temperature, voltage and watchdog timer
Hardware Monitor	1~255 sec./min. timer system reset or interrupt, setup by software
Expansion Interface	PCI-104
Storage	
IDE	1 x Ultra ATA100 interface
Serial ATA	N/A
Floppy	N/A
CF	1 x CompactFlash Socket Type I/II
DOC/DOM	N/A
I/O Interface	
USB	4 x USB2.0 port, available interface of 2 x 10-pin header onboard
Serial Port	1 x RS-232/422/485, 1 x RS-232, available interface of 2 x 10-pin header onboard
Parallel Port	N/A
IrDA	N/A
GPIO	4-channel digital input/output TTL level
Audio	N/A

Display	
Chipset	Intel 852GM integrated graphics acceleration controller with 32-bit 3D core at 133MHz
Memory	Supports video memory shared with system memory, up to 64MB
Resolution	VGA mode up to 2048 x 1536@75Hz or 1600 x 1200@85Hz LVDS mode up to 1600 x 1200@18bit
Dual Display	Supports CRT+LVDS dual display
Ethernet	
Chipset	Intel® 82551QM, 82562ET
Speed	10/100Mbps
Connector	2 x LAN port, available interface of 9-Pin header onboard
Mechanical and Environmental	
Dimensions	114mm x 96mm
Operating Temperature	-35°C~80°C
Storage Temperature	N/A
Operating Humidity	5%-90%, non-condensing
Power	
Power Supply	Supports AT/ATX power supply
Power Consumption	Typical 12W (ULV Celeron M 600Mhz, 256MB memory)
Operating System	
Windows OS	Windows 2000/ Windows XP
Embedded OS	Linux/XP Embedded

Board Diagram



Available Accessories

Part Number	Name	Description	Qty.
0090-000980	LED panel	P12-RJ45LED	1
2360-008781	HDD cable/RoHS	40 Pin to 44 Pin (2.0mm pitch), length: 550mm/RoHS	1
2360-011231	Serial port cable/RoHS	DB9 connector to 2x5 Pin connector (2.0mm pitch), length: 300mm/RoHS	2
2360-012641	VGA cable/RoHS	VGA connector to 2x5 Pin connector (2.0mm pitch), length: 300mm/RoHS	1
2360-012651	Power cable/RoHS	One male power 4 Pin (5.08mm pitch) connector to 2x5 Pin, length: 250mm/RoHS	1
2360-014781	Dual USB ports with bracket/RoHS	Two USB ports to one 2x5 Pin connector (2.0mm pitch), length: 550mm/RoHS	2
2360-017471	Parallel flat cable/RoHS	Two ports 2x6 Pin connector (2.0mm pitch), length: 250mm	1
2360-017481	Multi-functional converter cable/RoHS	Buzzer reset button dual PS/2 connectors to 2x5 Pin 2.0mm pitch female connector, length: 250mm	1
—	Setup Guide/RoHS	AMI/BIOS Setup Guide (for CORE8)	1
—	Driver CD/Protective film/RoHS	104-1713CLD2N	1
—	User's Manual/RoHS	104-1713CLD2N	1

Related Product

Item	Typical Recommendation
PC/104 Expansion card	104-1713CLD2N+104-P4COM

Ordering Information

Part Number	Model Number	Description
0030-001130	104-1713CLD2N	Motherboard
0030-010441	104-1713CLD2N/TA/Conformal coating	Motherboard/RoHS/TA/Conformal coating
0030-010310	104-1713CLD2N/Short pin	Motherboard/short pin
0030-004590	104-1713CLD2N/Conformal coating	Motherboard/Conformal coating