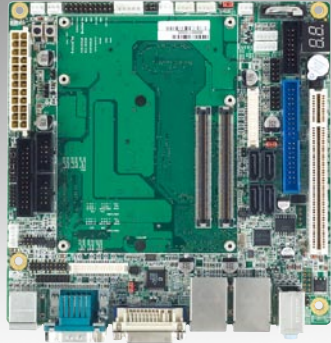


SOM-AB5710

COM-Express Application Board

NEW



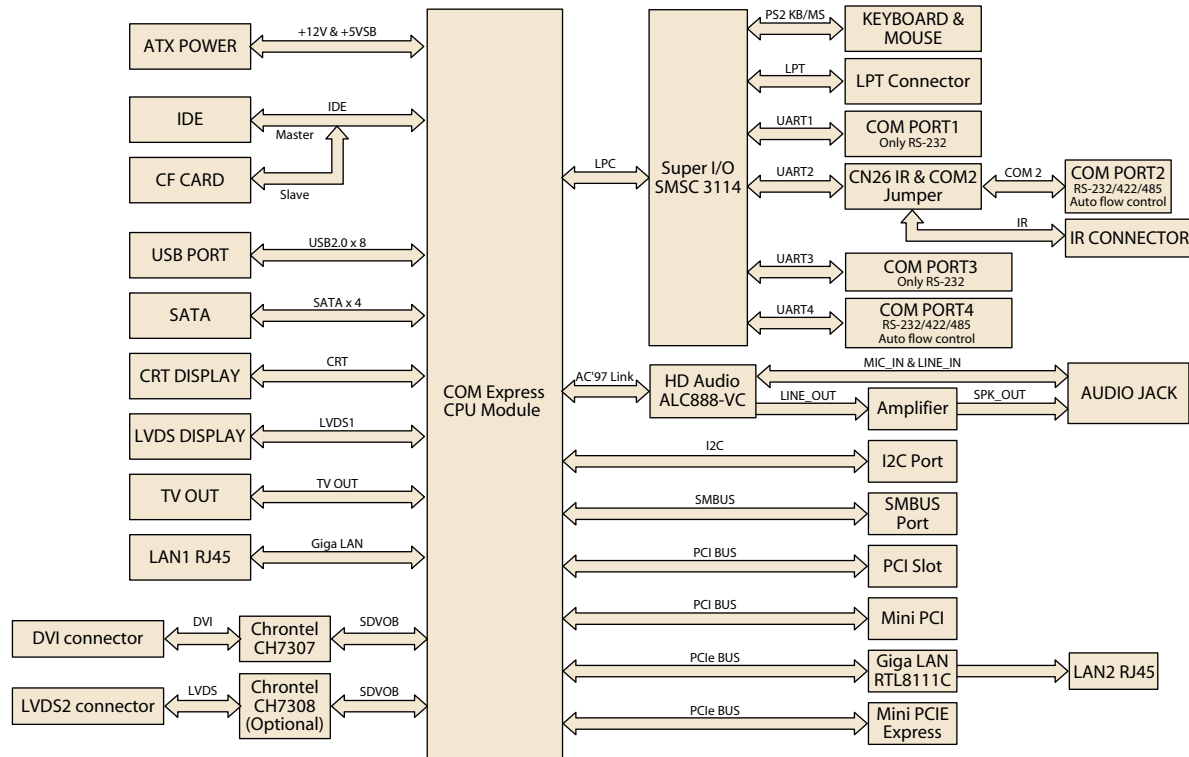
Features

- Supports COM-Express Basic Modules/COM-Express Compact Modules/COM-Ultra Modules series
- Mini-ITX form factor
- Display type: VGA, LVDS1, DVI, TV out, 48-bit LVDS2 optional
- Expansion: 1 x PCI, 1 mini PCI express, 1 x Mini PCI
- 4 COM, 4 SATA ports, 8 x USB 2.0, IDE, LPT, KB/MS, IrDA, 8-bit GPIO, CF interface

Specifications

Form Factor		Mini-ITX form factor
Compatible Models		Advantech COM-Express Basic Modules (125 x 95 mm), COM-Express Compact Modules (95 x 95 mm) and COM-Ultra Modules (55 x 84 mm) series
Display	LVDS	LVDS1 (SPEC depends on CPU Module) 48-bit LVDS2 (Supports on SOM-5786)(LVDS2 is optio-l)
	VGA	1 port. (SPEC depends on CPU Module)
	DVI	1 port, supported by Chronitel CH7307
	TV Out	1 port. (SPEC depends on CPU Module)
	Dual Display	LVDS1, LVDS2, DVI, VGA, TV out
Ethernet	Interface	10/100/1000 Mbps
	Controller	GbE LAN1: SPEC depends on CPU Module GbE LAN2: Realtek(RTL8111C)
	Connector	RJ45 x 2
Audio	Chipset	ALC888-VC
	Amplifier	Yes. (2.2W)
Expansion	PCIe x16 Slot	-
	PCIe x1 Slots	-
	Mini PCI Express	1
	PCI Slots	1
	MiniPCI Socket	1
	ISA Slot	-
SATA	Max Data Transfer Rate	Depends on CPU module SPEC
	Channel	4
SSD	Compact Flash	Supports CompactFlash Card TYPE I/II
Rear I/O	VGA	1
	DVI	1
	Ethernet	2
	USB	4 (USB 2.0)
	Audio	3 (Mic-in, Line-in, Line-out)
	Serial	2 (COM1 supports RS-232, COM2 supports RS-232/422/485)
	PS/2	2 (1 x keyboard and 1 x mouse)
	LVDS	2 (LVDS1 and 48-bit LVDS2 (LVDS2 is optio-l))
Inter-I Connector	USB	4 x USB 2.0
	Serial	2 COM (COM3, COM4) COM3 supports RS-232 COM4 supports RS-232/422/485
	IDE	1 x 40 pin
	SATA	4
	Compact Flash	1
	Parallel	1
	IrDA	1 (shares COM2)
	FDD	-
	DIO	8-bit (GPI 4-bit/GPO 4-bit)
	CPU FAN	1
	System FAN	3
	SMBUS	1
	LPC	1
	I2C	1
	Port 80	1
	Power	Power Type
Environment	Operating Temperature	0 ~ 60° C (32 ~ 140° F)
	Operating Humidity	0% ~ 90% relative humidity, non-condensing
Mechanical	Dimensions	170 mm x 170 mm (6.69" x 6.69")

Board Diagram



Ordering Information

Part No.	Compatible model	LVDS1	LVDS2	DVI	CRT	TV out	Giga LAN	HD Audio	COM	PCI	Mini PCI	Mini PCI Express	USB 2.0	SATA	LPT	KB/MS	IrDA	IDE	CF	Operating Temp.
SOM-AB5710-5786A1E	SOM-5786 series	Yes	Optional	Yes	Yes	Yes	2	Yes	4	1	1	1	8	3	Yes	Yes	Yes	Yes	Yes	0 ~ 60° C
SOM-AB5710-5761A1E	SOM-5761/6761 series	Yes	Optional	Yes	Yes	Yes	2	Yes	4	1	1	1	8	2	Yes	Yes	Yes	Yes	Yes	0 ~ 60° C

Packing List

Part No.	Description	Quantity
	SOM-AB5710 Evaluation board	
1700008894	CABLE SERIAL ATA 7P/7P 30CM	1
1703150102	Wire BIG4P/Series ATA power 15P 10cm	1
1700100170	A Cable USB-A(F) x 2/2 x 5P-2.54 17.5 cm W/BKT F/5	1
1700000446	F Cable D-SUB 25P(F)/IDE#3 26P-2.54 45 cm	1
1701400452	FLAT IDE CABLE 40P GRAY FOR DMA-66 PIN20 I.P. 45 cm	1
1701100300	Flat COM Cable D-SUB 9P(M) W/Bracket 320 mm	1
1700001892	Wire 5P TV-out 30 cm	1

Optional Accessories

Part No.	Description
1960019193T000	I/O SHIELD Bracket 158.8 x 45.5 mm

