

# TPC-1240T

## StrongARM Touch Panel Computer with 12.1" SVGA TFT LCD Display



### Features

- 12.1" SVGA TFT LCD with high luminance
- Intel StrongARM 1110 processor
- Fanless cooling system
- Built-in flash memory and Windows CE 3.0 inside
- NEMA4/IP65 compliant Al-Mg front panel

### Introduction

The TPC-1240 is a slim and compact platform that has no redundant functions. It has a high performance TFT LCD display and Ethernet communication capability. Its RISC kernel, Intel® StrongARM 1110 processor, is a mix of low power consumption, cost effectiveness and performance. Advantech is offering an OS solution in the way that the TPC-1240 is bundled with Windows CE OS and/or Advantech HMI software package. The built-in Windows CE OS platform forms a bridge that lets the TPC-1240 be an open HMI solution for system integration.

### Specifications

- **Construction:** Al-Mg and plastic molding housing
- **Display:** 12.1" SVGA TFT LCD
- **CPU and Core Logic:** Intel® StrongARM 1110
- **VGA:** MediaQ® MQ-200 VGA controller
- **DRAM:** 32 MB on board
- **Storage:** 16 MB flash memory on board, 1 CompactFlash™ card (optional)
- **I/O:** 3 serial ports (COM3 is RS-485) and RS-485 is auto flow controlled by Windows CE OS, 1 Ethernet port (10Base-T), 2 PS/2 ports
- **Watchdog Timer:** programmable as 250 ms, 500 ms and 1 second
- **Power Input:** 24 V<sub>DC</sub>, 0.5 A maximal
- **Dimensions (W x H x D):** 311 x 237 x 50 mm (12.24" x 9.33" x 1.97")
- **Weight:** 2.2 kg (4.85 lbs)

### LCD Display

	TFT color LCD (TPC-1240T)
Display size (diagonal)	12.1"
Max. colors	256 K
Resolution	800 x 600
Pixel pitch (HxV)	0.31 x 0.31 mm
Viewing angle	100°
Luminance	300 cd/m <sup>2</sup>
Storage temperature	-20 ~ 60° C (-4° ~ 140° F)
Operating temperature	0 ~ 50° C (32° ~ 122° F)
Backlight	2 CCFL
Contrast ratio	150

### Touchscreen

- **Type:** 4-wire, analog resistive
- **Resolution:** continuous
- **Light Transmission:** above 75%
- **Life:** 100 million activation minimum
- **Controller:** PS/2 interface

### Environmental Specifications

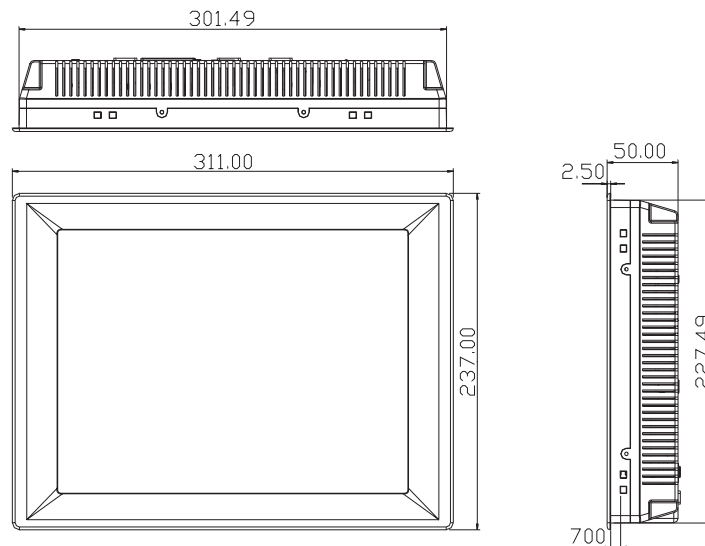
- **Operating Temperature:** 0° ~ 50° C (32° ~ 122° F)
- **Relative Humidity:** 10% ~ 95% @ 40° C, non-condensing
- **EMI:** FCC class A certificated
- **CE certificated**
- **Front panel meets NEMA4/IP65**



# StrongARM Touch Panel Computer with 12.1" SVGA TFT LCD Display

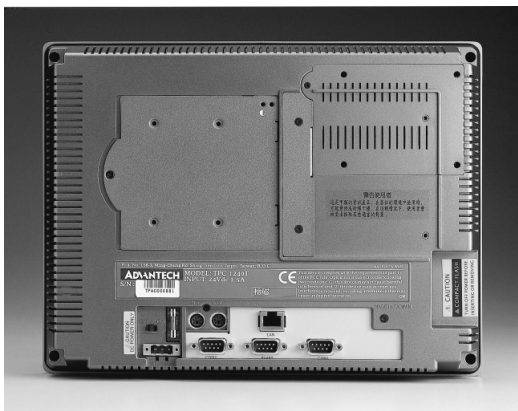
## Dimensions

Unit: mm (inch)



Cut-out Dimension: 302 mm x 228 mm

## Rear View



## Ordering Information

- TPC-1240T-CE**  
12.1" TFT LCD display touch panel computer with StrongARM 1110 CPU 32 MB DRAM/16 MB flash memory on board and WinCE 3.0 OS

## Optional Peripherals

- TPC-1260 STAND**  
Desktop stand set used for TPC-1260/TPC-1240
- TPC-1260 WALLMT**  
TPC-1260/1240 wall mounting kit
- PS-DC24-50**  
50 watts 24 V<sub>DC</sub> output, 110/220 V<sub>AC</sub> 50/60 Hz input power adapter

WebLink  
WebOT 1

IPPC &  
AWS 2

TPC 3

FPM 4

IPC 5

UNO-  
2000 6

ICOM 7

DA&C 8

cPCI 9

ADAM-  
3000 10

ADAM-  
4000 11

ADAM-  
5000 12

ADAM-  
6000 13

ADAM-  
8000 14

Industrial  
Converters 15

VBOX 16

Software 17

Index