

**DATA SHEET**
**SPECIFICATIONS**
**MODEL #5033  
DC GENERATOR  
1.2 KW - 35,000 RPM**

<b>OUTPUT VOLTAGE:</b>	28 VDC $\pm$ 1 VDC
<b>SPEED RANGE:</b>	30,000 - 40,000 RPM
<b>OVERSPEED:</b>	44,000 RPM
<b>CONTINUOUS RATING:</b>	1.2 KW
<b>EFFICIENCY:</b>	70% AT RATED LOAD
<b>DUTY CYCLE:</b>	2 HOURS, CONTINUOUS
<b>COOLING:</b>	RAM AIR
<b>AMBIENT:</b>	-54°C to +85°C
<b>ALTITUDE:</b>	0 to 40,000 FT
<b>LIFE:</b>	20 HOURS
<b>WEIGHT:</b>	12.0 LBS (SYSTEM)
<b>COMPLIANCE:</b>	MIL-STD 704 MIL-STD-461 MIL-STD-810B

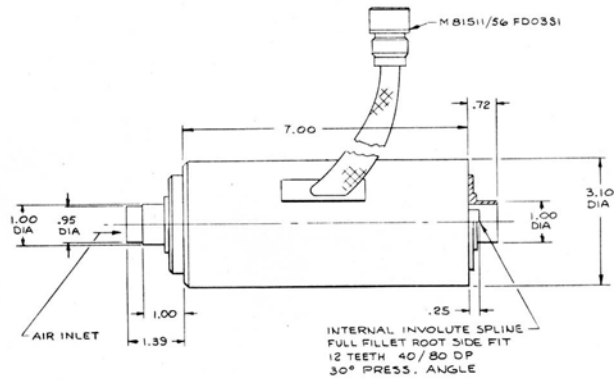

**DESCRIPTION**

Model 5033 DC generating system comprises a generator and a remotely-located power conditioning unit (PCU). The generator is a brushless, six-phase, homopolar inductor alternator employing a field coil to control the output voltage over the specified speed range.

The PCU contains the voltage reference and feedback circuitry typical of generators of this design.

This generator was developed for an aerial target drone and is in service with the U.S. Army and Air Force.

**OUTLINE DETAILS**



**GENERATOR**

