



Industrial Single Board Computer

Half-size PISA CPU Card

HS-871P

Half-size CPU Card

Intel Mobile Celeron with DDR266

Onboard VGA, Gigabit LAN, Compact Flash

LVDS, USB2.0



Form Factor	Half-size PISA bus CPU Card
CPU	Intel Socket479 bundled with Mobile Celeron 1.2GHz processor Built-in L2 Cache: 256KB
Memory	1 x 184-pin DDR266 SDRAM up to 1GB non-ECC, Un-buffered supported
Chipset	Intel 82852GM and ICH4
Real Time Clock	Chipset integrated RTC with onboard lithium battery
Watchdog Timer	Generates a system reset with internal timer for 1min ~ 255min
Power Management	ACPI 1.0 compliant, supports power saving mode with ATX PSU
PCI Enhanced IDE	Dual UltraATA/100 IDE channels up to 4 ATAPI devices Onboard 40-pin IDE1 connector & 44-pin IDE2 connector
VGA Interface	Intel 852GM integrated Extreme Graphic Technology
Video Memory	Up to 64MB shared with system memory
LCD interface	24-bit dual channel LVDS interface up to 1400 x 1050 of resolution
Audio Interface	Intel ICH4 integrated with Realtek ALC201A AC97 Codec
LAN Interface	Intel 82540EM Gigabit Ethernet Controller
Solid State Disk	1 x Compact Flash Socket IDE1 supports DiskOnModule with +5V power supply
GPIO interface	Onboard programmable 8-bit Digital I/O interface
Internal I/O Port	1 x internal parallel and IrDA ports and 1 x 5-pin LCD inverter connector 2 x USB 2.0 ports, 1 x FDD port and 1 x RS232 serial port 1 x onboard 5-pin AT keyboard port
External I/O Port	1 x RJ45 LAN ports, 1 x DB15 VGA port and 1 x PS/2 Keyboard/Mouse Port 1 x RS232 Serial Port
Power Requirement	+5V, +12V DC input
Board Dimension	185 x 127 mm (L x W)
Operation Temperature	0 ~ 60 °C (32 ~ 140 °F)

Online product information detail and updates are available at www.commell.com.tw

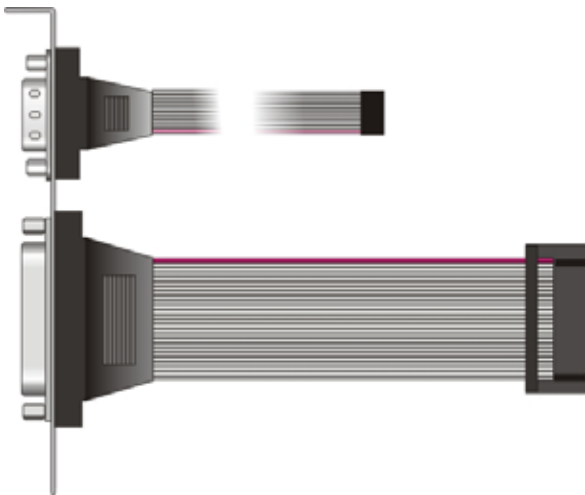
Cable Kit



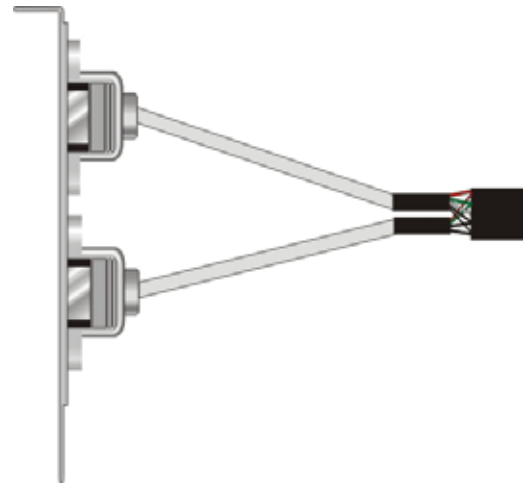
40-pin ATA100 IDE Cable x 1



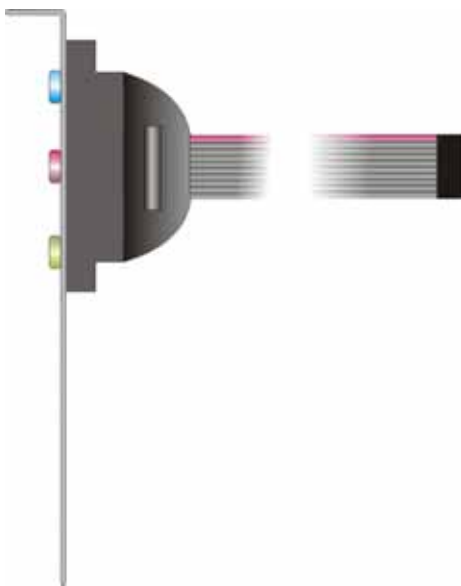
Floppy flat cable x 1



DB25 & DB9 cable with bracket x 1



Dual USB cable with bracket x 1



Audio cable with bracket x 1



4-pin to 3-pin ATX cable x 1



PS/2 Keyboard & Mouse Cable x 1

Ordering Code **HS-871P** Intel Mobile Celeron Half-size **PISA Bus** CPU Card with bundled Mobile Celeron 1.2GHz, onboard VGA, Gigabit LAN, USB 2.0 Ports, Audio, LVDS, RS232 serial port, Compact Flash Socket
