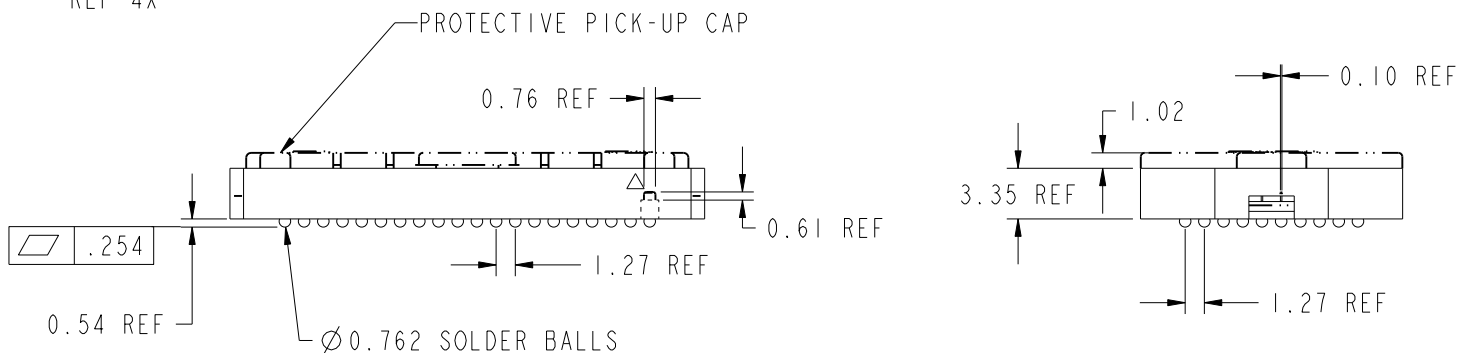
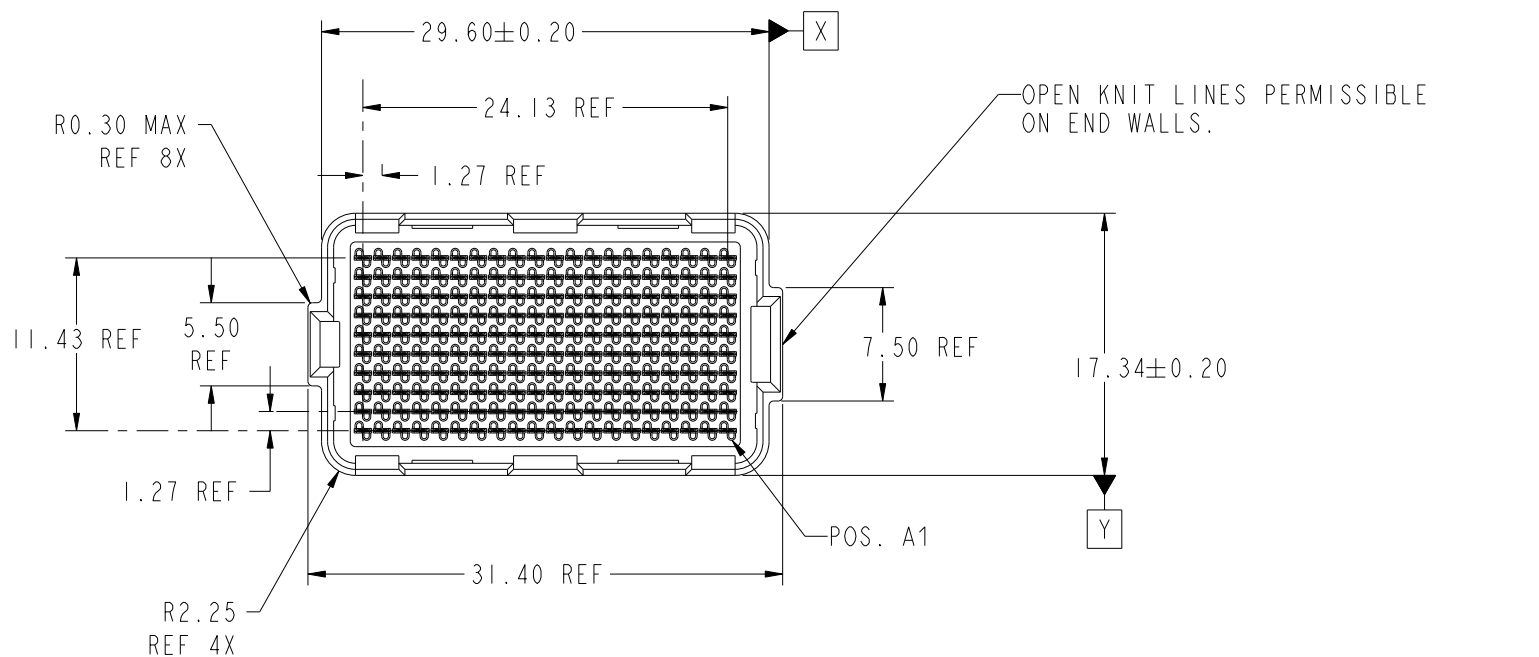


Tous droits strictement réservés. Reproduction ou communication o des tiers interdite sous quelque forme que ce soit sans autorisation écrite du propriétaire. Propriete de c FCI. Droits de reproduction FCI.

All rights strictly reserved. Reproduction or issue to third parties in any form whatever is not permitted without written authority from the proprietor. Property of FCI. Copyright FCI.

**FCI**



NOTE 2  
 $\text{Ø}0.30 \text{ X } Y$

mat'l code				SEE NOTE 1		tolerances unless otherwise specified		CUSTOMER		 www.fciconnect.com	
ltr	ecn no.	dr	date	linear	0.X ±0.3		COPY		 projection	title	
A	V10242	DRW	11-15-01		0.XX ±0.10		MM			0mm PLUG ASSY.	
B	V20006	DRW	1-24-02	angles	0.XXX ±0.050		scale		product family		
C	V03-0680	DAI	06/20/03		0° ±2°		2:1		MEG-ARRAY		
D	V04-0940	VS	10/09/04	dr	D. WAUGHEN	11-15-01	A		code		
				engr	J. KONTOS	11-15-01	size		213		
				chr	J. KONTOS	11-15-01	dwg no		sheet		
				appd	J. KONTOS	11-15-01	84516		1 of 5		
sheet index		revision sheet	D 1	D 2	D 3	D 4	cage code		22526		

Pro/E

cage code 22526

PDM: Rev:D

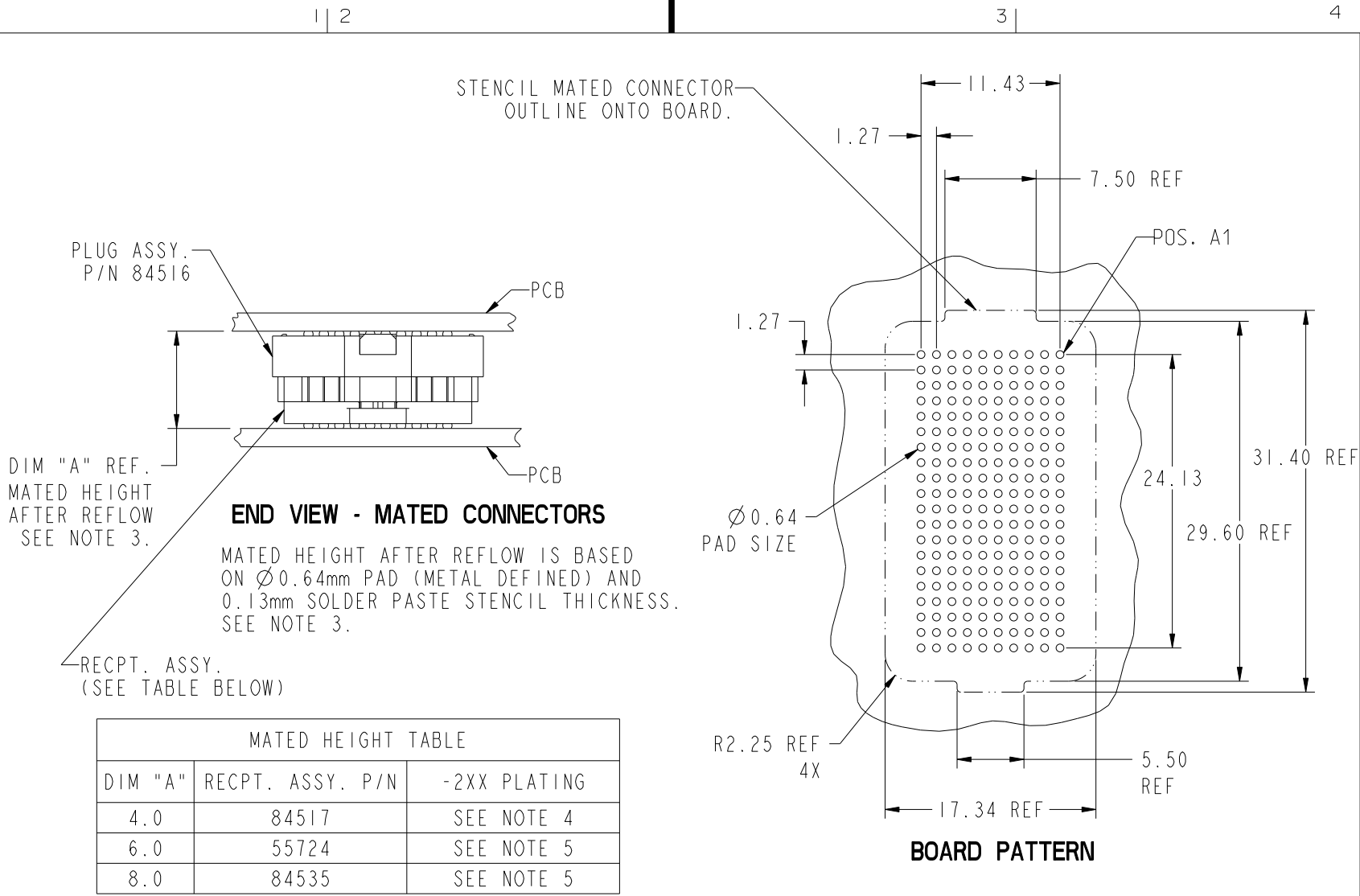
STATUS: Released

Printed: Nov 19, 2004

Tous droits strictement réservés. Reproduction ou communication o des tiers interdite sous quelque forme que ce soit sans autorisation écrite du propriétaire. Propriété de c FCI. Droits de reproduction FCI.

**FCI**

All rights strictly reserved. Reproduction or issue to third parties in any form whatever is not permitted without written authority from the proprietor. Property of FCI. Copyright FCI.



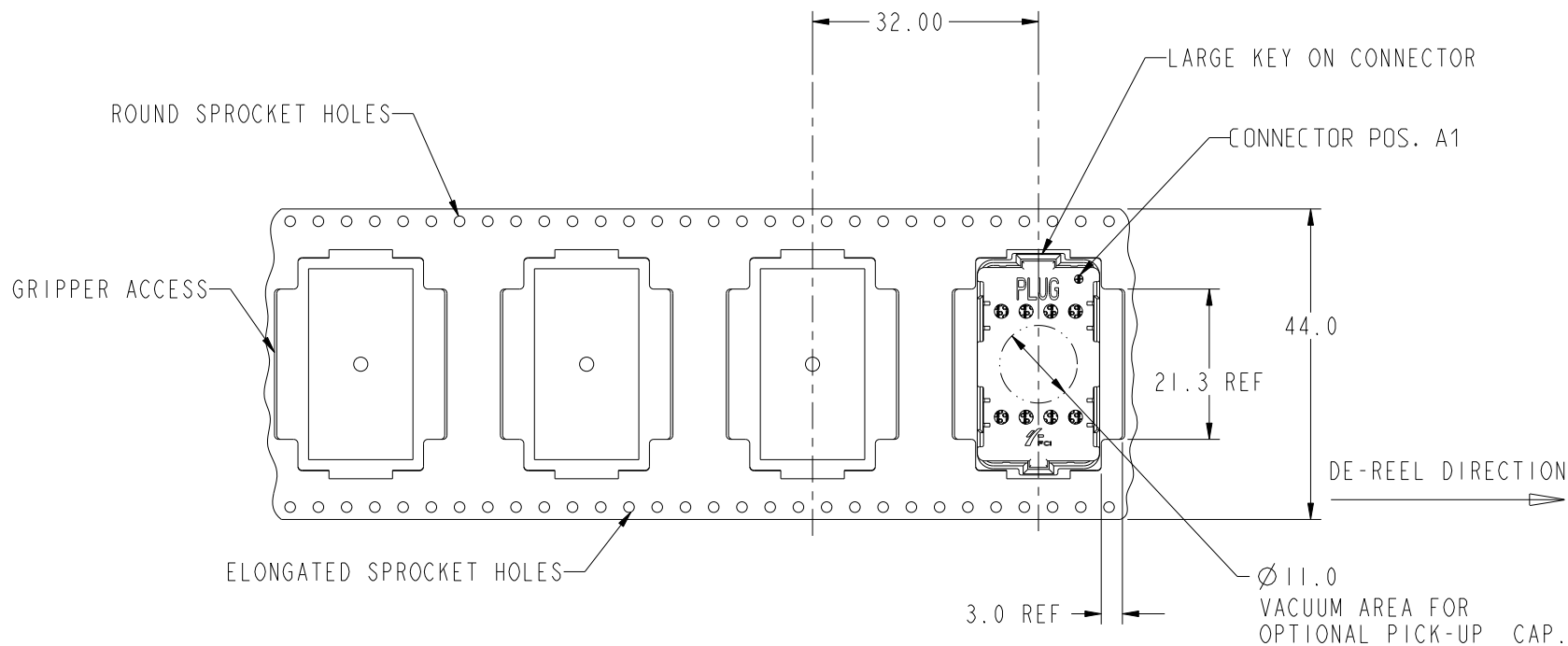
MATED HEIGHT TABLE		
DIM "A"	RECPT. ASSY. P/N	-2XX PLATING
4.0	84517	SEE NOTE 4
6.0	55724	SEE NOTE 5
8.0	84535	SEE NOTE 5

mat'l code				SEE NOTE 1		tolerances unless otherwise specified		CUSTOMER		 www.fciconnect.com			
ltr	ecr no.	dr	date	linear	0.X ±0.3		projection	COPY		title			
D					0.XX ±0.10					0mm PLUG ASSY.			
					0.XXX ±0.050					10x20=200 POS.			
				angles	0° ±2°			MM		product family	MEG-ARRAY	code	213
				dr	D. WAUGHEN	11-15-01		← MM →		size	dwg no	2	
				engr	J. KONTOS	11-15-01		scale		A	84516	sheet	
				chr	J. KONTOS	11-15-01		2:1		2			
				appd	J. KONTOS	11-15-01							
sheet index	revision sheet												

Pro/E 3 cage code 22526 4

Tous droits strictement réservés. Reproduction ou communication o des tiers interdite sous quelque forme que ce soit sans autorisation écrite du propriétaire. Propriete de c FCI. Droits de reproduction FCI.

All rights strictly reserved. Reproduction or issue to third parties in any form whatever is not permitted without written authority from the proprietor. Property of FCI. Copyright FCI.



**TAPE & REEL PACKAGING**  
PER EIA 481-3

mat'l code				SEE NOTE 1		tolerances unless otherwise specified		CUSTOMER		 www.fciconnect.com	
ltr	ecr no.	dr	date	linear	0.X ±0.3		COPY		  scale 1:1	title	
D					0.XX ±0.10		projection			0mm PLUG ASSY.	
					0.XXX ±0.050		  scale 1:1			10x20=200 POS.	
				angles	0° ±2°		dr D. WAUGHEN 11-15-01 engr J. KONTOS 11-15-01 chr J. KONTOS 11-15-01 appd J. KONTOS 11-15-01		product family MEG-ARRAY code		
sheet index		revision sheet						size		dwg no 84516 sheet 3	

Pro/E

cage code 22526

PDM: Rev:D

STATUS: Released

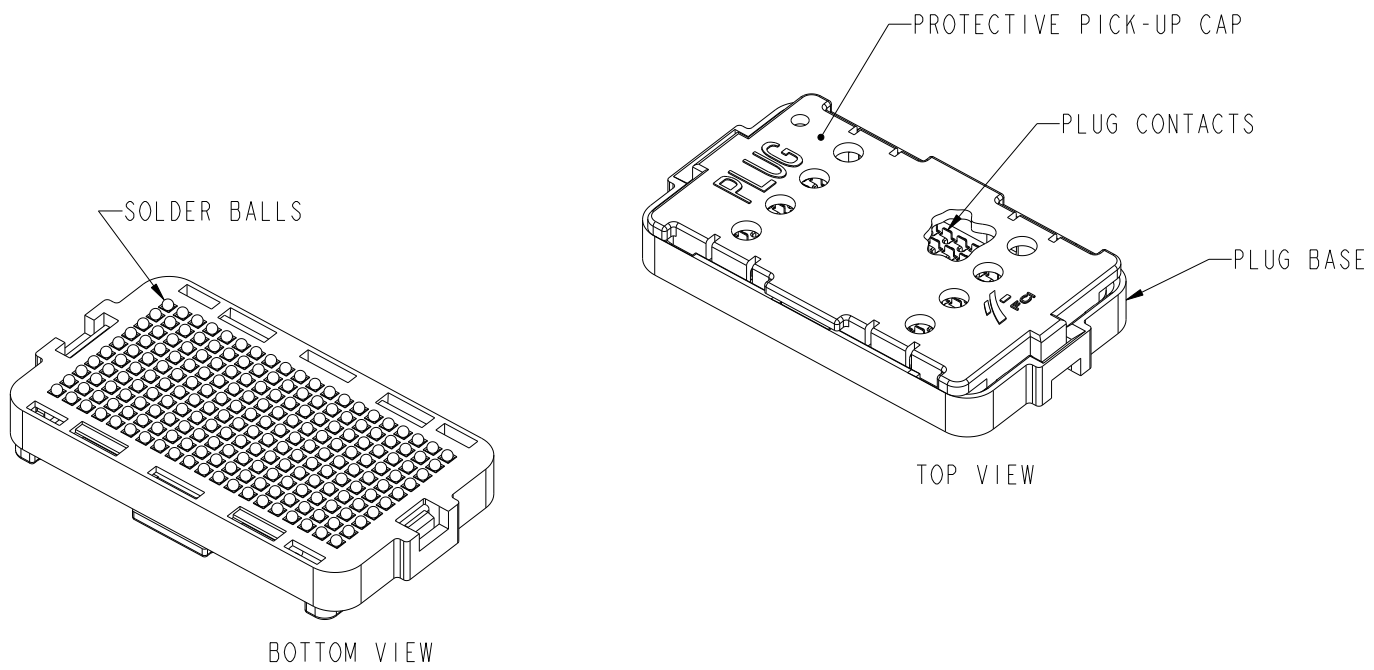
Printed: Nov 19, 2004

Tous droits strictement réservés. Reproduction ou communication o des tiers interdite sous quelque forme que ce soit sans autorisation écrite du propriétaire. Propriété de c FCI. Droits de reproduction FCI.

All rights strictly reserved. Reproduction or issue to third parties in any form whatever is not permitted without written authority from the proprietor. Property of FCI. Copyright FCI.

**FCI**

PRODUCT NO.	PICK-UP CAP		SOLDER BALL
84516-002	YES	15"(.38) Au OVER Ni	SnPb
84516-002LF			SnAgCu LEAD FREE (7)(8)
84516-102	YES	30"(.76um) Au OVER Ni	SnPb
84516-102LF			SnAgCu LEAD FREE (7)(8)
84516-202	YES	SEE MATED HEIGHT TABLE ON SHEET 2	SnPb
84516-202LF			SnAgCu LEAD FREE (7)(8)



mat'l code		SEE NOTE 1		tolerances unless otherwise specified		CUSTOMER		<b>FCI</b> www.fciconnect.com	
ltr	ecn no.	dr	date	linear	0.X ±0.3	projection	COPY		
D					0.XX ±0.10		title 0mm PLUG ASSY. 10x20=200 POS.		
				angles	0.XXX ±0.050		product family MEG-ARRAY		code
				dr	D. WAUGHEN 11-15-01	MM	size	dwg no	213
				enr	J. KONTOS 11-15-01	← MM →	A	84516	sheet
				chr	J. KONTOS 11-15-01	scale	4		
				appd	J. KONTOS 11-15-01	2:1			
sheet index	revision sheet								

Pro/E cage code 22526

Tous droits strictement reserves. Reproduction ou communication o des tiers interdite sous quelque forme que ce soit sans autorisation ecrite du proprietaire. Propriete de c FCI. Droits de reproduction FCI.

All rights strictly reserved. Reproduction or issue to third parties in any form whatever is not permitted without written authority from the proprietor. Property of FCI. Copyright FCI.

**A**  
**FCI**

1 | 2

3 |

4

NOTES:

- ① MAT'L:  
HOUSING: LCP  
CONTACT: COPPER ALLOY  
  
PLATING CONTACT: SEE TABLE ON SHEET 4  
SOLDER BALL: SEE TABLE ON SHEET 4  
EUTECTIC SnPb OR LEAD FREE  
95.5Sn/4Ag/0.5Cu
- ② SOLDER BALLS WILL NOT BE PERFECT SPHERICAL SHAPE DUE TO REFLOW ATTACHMENT.
- ③ MATED HEIGHT EFFECTED BY CUSTOMER'S PCB PAD SIZE, PLATING, SOLDER REFLOW PROFILE & SOLDER PASTE.
- ④ PLATING FOR INDICATED -2XX SERIES PART NOS. MEETS THE REQUIREMENTS OF NORTEL NPS25298-2 (CENTRAL OFFICE ENVIRONMENT, 25 YEAR LIFE EXPECTANCY).
- ⑤ PLATING FOR INDICATED -2XX SERIES PART NOS. IS Au OVER Ni WITH SPECIAL CONTACT GEOMETRY TO MEET REQUIREMENTS OF TELCORDIA GR-1217-CORE: CENTRAL OFFICE ENVIRONMENT.
- 6. SEE SK-47384 FOR MATING RESTRICTIONS WITH EARLIER DESIGN VERSIONS.
- ⑦ FOR PROPER APPLICATION FOLLOW FCI APPLICATION SPECIFICATION GS-20-033. LEAD FREE SOLDER BALLS WILL NOT SOLDER PROPERLY IN A LEADED SOLDER PROSESS DUE TO A HIGHER REFLOW TEMPERATURE LEAD FREE PRODUCT IS THEREFORE NOT BACKWARDS COMPATIBLE WITH LEADED OR SOME SOLDERING APPLICATIONS. REFERENCE FCI FCI APPLICATION SPECIFICATION
- ⑧ THIS PRODUCT MEETS EUROPEAN UNION DIRECTIVE AND OTHER COUNTRY REGULATIONS AS DESCRIBED IN GS-22-008. PRODUCT MEETING THIS DIRECTIVE IS IDENTIFIED IN THE LOT CODE NUMBER MARKED ON EACH PART BY HAVING AN "X" IN THE SEVENTH CHARACTER POSITION

A

A


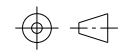
B

B

1 | 2

3 |

4

mat'l code		material_code		tolerances unless otherwise specified		CUSTOMER		 <b>FCI</b> www.fciconnect.com	
ltr	ecn no.	dr	date			COPY			
D	-	-	-	linear		projection		title	0mm PLUG ASSY. 10x20=200 POS.
				angles				product family	MEG-ARRAY
		dr	D. WAUGHEN	11-15-01		MM		code	213
		enr	J. KONTOS	4-17-01		← MM →		size	dwg no
		chr	J. KONTOS	11-15-01		scale	2:1	A	84516
		appd	J. KONTOS	11-15-01				sheet	5
sheet index	revision sheet								

Pro/E

cage code **22526**