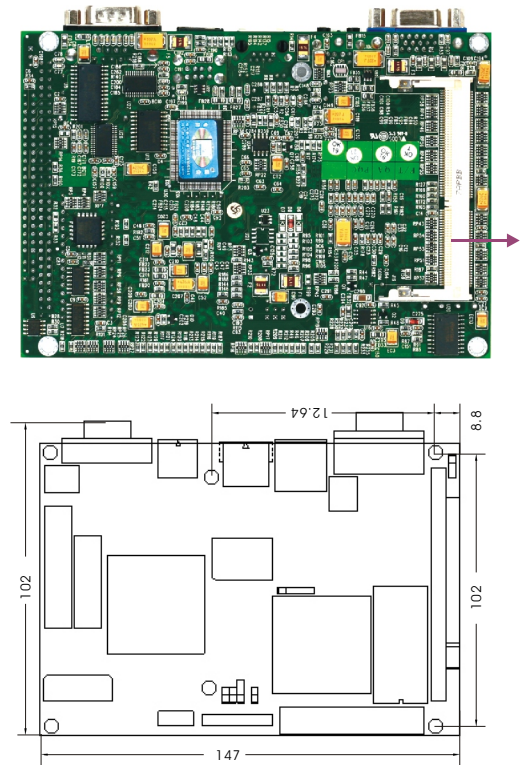
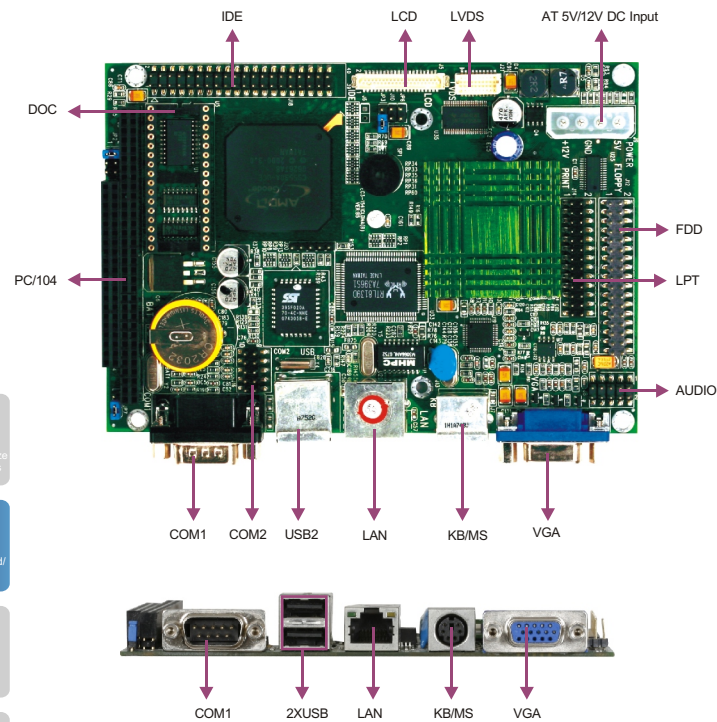


# EC3-1541CLDNA(B)

3.5" 586-level SBC with GX1 Processor/LCD/VGA/DOC/LAN/Audio



## Features

- 3.5" 586-level SBC with PC/104 bus
- Onboard NS GX1 300MHz CPU
- Supports VGA, 18-bit TFT LCD, and TTL/LVDS interface
- One 10/100Mbps Ethernet interface
- Supports 2 x USB1.1, 2 x COM, 1 x HDD, 1 x FDD, 1 x PC/104, 1 x DOC, 1 x LPT, 1 x LVDS, 1 x LCD

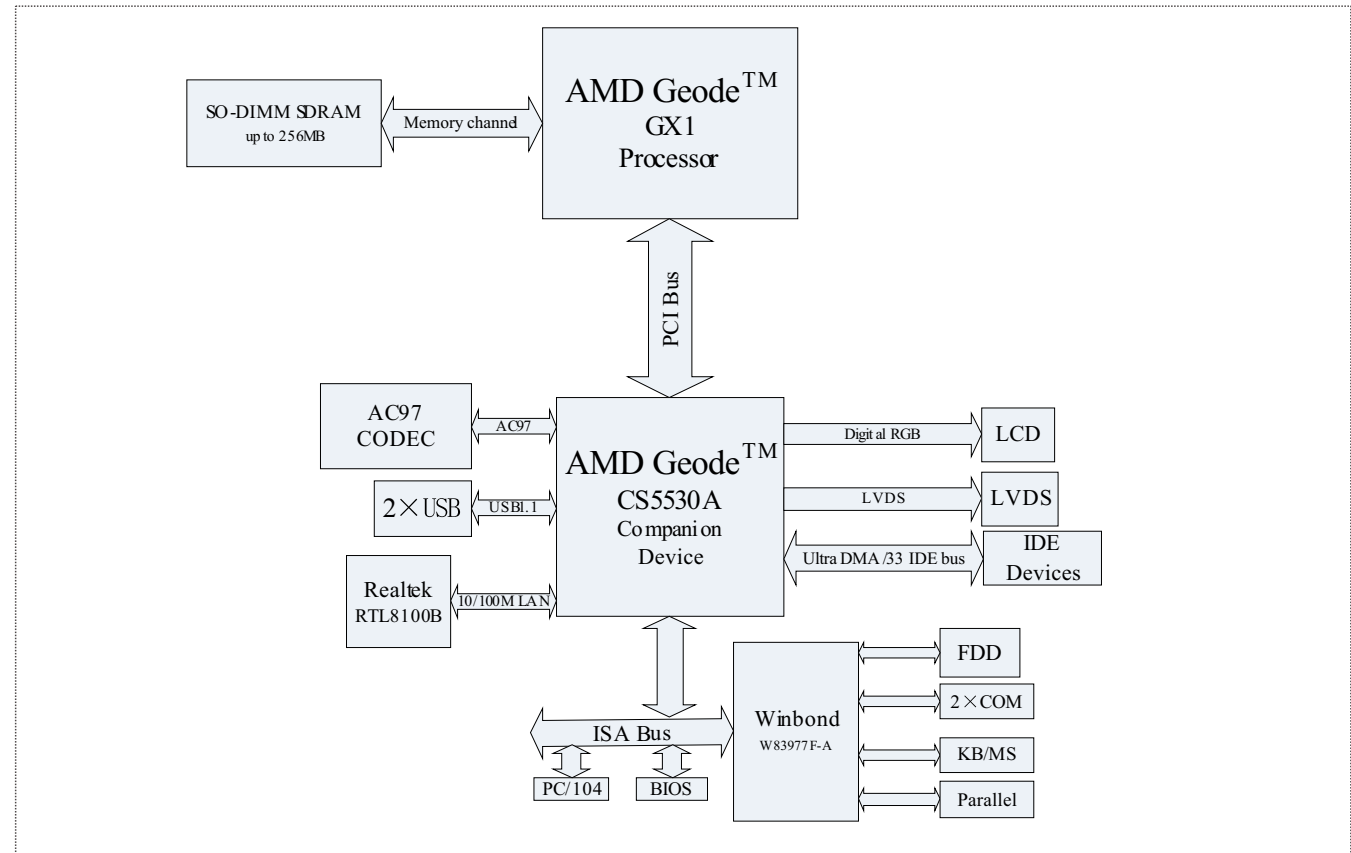


## Specifications

System	
Processor	Onboard AMD Geode™ GX1 300MHz CPU, fanless design
Chipset	AMD Geode™ CS5530A
Memory	1 x 144-pin SO-DIMM slot supporting up to 256MB SDRAM memory
Hardware Monitor	N/A
Watchdog Timer	1~255 level timer system reset/interrupt, setup by software
Expansion Interface	1 x PC/104
Storage	
IDE	1 x Ultra ATA33/66/100 interface
Serial ATA	N/A
Floppy	1 x FDD
CF	N/A
DOC/DOM	1 x 32-pin DOC
I/O Interface	
USB	2 x USB1.1 port, available interface of 9-pin header onboard
Serial Port	2 x RS-232, available interfaces of 1 x DB9 and 5 x 10-pin header onboard
Parallel Port	1 x LPT
IrDA	1 x IrDA, 115Kbps IrDA compliant infrared interface
GPIO	N/A
Audio	AC'97, available interfaces of Speaker-out, Line-in and Mic-in

Display	
Chipset	GX1 integrated graphics controller
Memory	1~4MB SDRAM video memory shared with system memory
Resolution	VGA mode up to 1024 x 768@75Hz LCD mode up to 1024 x 768@18bit LVDS mode up to 1024 x 768@18bit
Dual Display	Supports CRT and TFT LCD/LVDS dual display
Ethernet	
Chipset	Realtek RTL8100B
Speed	10/100Mbps
Connector	1 x RJ 45
Mechanical and Environmental	
Dimensions	146mm x 102mm
Operating Temperature	-10°C~65°C
Storage Temperature	-40°C~85°C
Operating Humidity	5%-90%, non-condensing
Power	
Power Supply	5V/12V power supply
Power Consumption	Typical 6.33W (GX1 300MHz CPU, 128MB memory)
Operating System	
Windows OS	Windows 98SE/Windows 2000
Embedded OS	Linux/WinCE/vxworks

## Board Diagram



## Available Accessories

Part Number	Name	Description	Qty.
—	Driver CD/Protective film/RoHS	EC3-1541CLDNA(B)	1
—	User's Manual/RoHS	EC3-1541CLDNA(B)-300	1
2330-000041	Jumper/RoHS	2.54mm pitch, blue	8
2331-002251	Pin header/RoHS	2x20 Pin, 2.54mm pitch, two sides of equal length: 6+6mm	1
2331-002261	Pin header/RoHS	2x32 Pin, 2.54mm pitch, two sides of equal length: 6+6mm	1
2331-002421	Socket/RoHS	PC104 2x32 Pin long socket, plastics height: 8.5mm, pin height: 5.65mm	1
2331-002561	Socket/RoHS	PC104 2x20 Pin long socket, plastics height: 8.5mm, pin height: 5.65mm	1
2360-000841	Audio cable/RoHS	Three audio jacks to one 2x5 Pin, length: 220mm/RoHS	1
2360-005031	Y-cable for keyboard and mouse/RoHS	One minDIN port to two PS/2 ports, length: 250mm/RoHS	1
2360-005051	Parallel port cable/RoHS	Parallel port cable, DB25 connector to 26 Pin, length: 300mm/RoHS	1
2360-009031	FDD flat cable/RoHS	34P/Floppy disk/Data/Cable/200/350	1
2360-009081	HDD flat cable/RoHS	40P/Hard disk/Data/Cable/DMA33/150/350	1
2360-010011	Serial cable/RoHS	DB9 connector to 2x5 Pin, length: 265mm/RoHS	1
2391-002141	Nut/RoHS	M3/GB-T6170-1986/nickel plating	4
2391-004631	Copper hex bolts/RoHS	M3x25-4/CH-M3-25-4-Ni	4

## Related Product

Item	Typical Recommendation
PC/104 Expansion Card	104-8COM, 104-32ADT, 104-64IO
Power Supply	AT or ATX

## Ordering Information

Part Number	Model Number	Description
0030-001870	EC3-1541CLDNA(B)/300	Motherboard
0030-005310	EC3-1541CLDNA(B) -300/Conformal coating	Motherboard/Conformal coating
0030-005311	EC3-1541CLDNA(B) -300/Conformal coating	Motherboard/RoHS/Conformal coating
0030-001871	EC3-1541CLDNA(B)/300	Motherboard/RoHS