

PT1280P/PT1280SL Pan/Tilt

OUTDOOR, HEAVY DUTY, FEEDTHROUGH

Product Features

- 120 VAC Operation
- Heavy Duty Adjustable Worm-Gear Final Drive
- Prewired for Zoom Lens, Camera and Enclosure Power, and Video
- 360° Pan Rotation Model Available
- Capable for Auto/Random Scan Operation
- Indoor/Outdoor Applications
- Maximum Load 100 lb (45.4 kg)



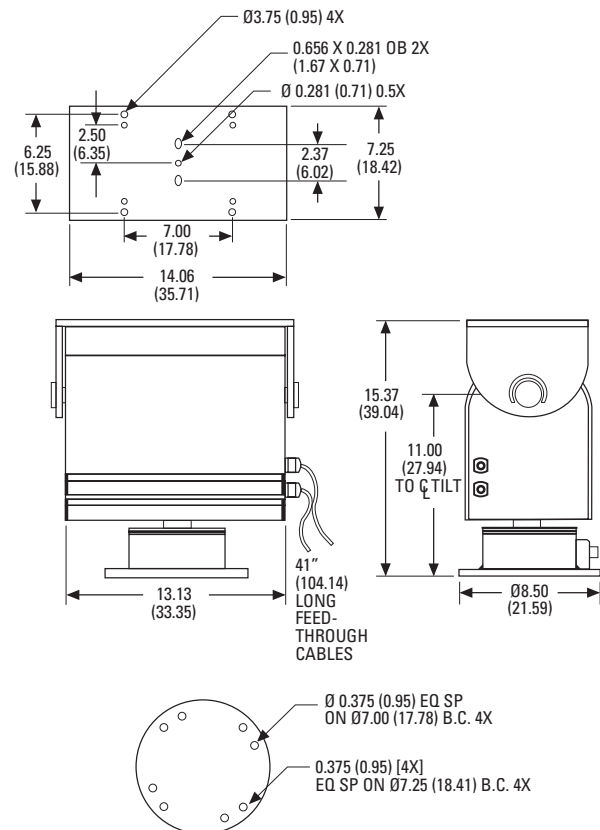
The **PT1280P/PT1280SL** are heavy duty, indoor/outdoor pan/tilts capable of handling loads up to 100 pounds (45.4 kg). They feature rugged high torque AC motors with adjustable worm-gear final drives to ensure long operational life, as well as drift-free operation.

The **PT1280P** Series is capable of auto/random scan operation when used with a Pelco solid-state auto/random scan control. No additional conductors, micro switches, or relays are required for auto scan operation.

These pan/tilts are factory prewired for feedthrough of all control functions: pan/tilt, motorized zoom lens, 24 VAC camera power, enclosure accessories, and video. Connections are made at the input connector, eliminating the need for wiring harnesses in the field. This feature greatly reduces installation time, while increasing the reliability and serviceability of the system.

The **PT1280SL** includes a slip ring option that allows 360-degree pan rotation.

These units can be mounted on Pelco's universal wall/pedestal mounts: the PM2000/PM2010 for pedestal mounting and the WM2000 with PA2010 adapter plate and ST1 support strut or WM3026 for wall mounting. The EH5700 Series large environmental enclosure is also compatible for use with this pan/tilt series.



NOTE: VALUES IN PARENTHESES ARE CENTIMETERS; ALL OTHERS ARE INCHES.



by Schneider Electric

International Standards Organization Registered Firm; ISO 9001 Quality System



C379 / REVISED 10-27-10

TECHNICAL SPECIFICATIONS

MODELS

PT1280P	Heavy duty pan/tilt, 120 VAC
PT1280P/PP	Same as PT1280P except has preset positioning option; requires preset control
PT1280SL	Heavy duty pan/tilt with slip ring option (360° pan rotation)
PT1280SL/PP	Same as PT1280SL except has preset positioning option; requires preset control

ELECTRICAL

Input Voltage	120 VAC, 60 Hz
Pan/Tilt Power Requirements	
Running	0.48 A (57.5 VA)
Starting	0.60 A (72.5 VA)
Maximum Current	2 A per conductor (PT1280SL and PT1280SL/PP models only)
Connectors	AMP CPC type (mate supplied)
Motors	Two-phase induction type, instantaneous reversing
Limit Switches	5 A each (pan and tilt); external adjustment
Conductor Requirements	6 or 7, unshielded (functions: left, right, up, down, motor common, safety ground); no additional conductors for auto scan when used with solid-state control; PP option requires additional 4 conductors

Maximum Operating Distances*

	Cable Size	Maximum Distance
6 Conductors	20 AWG (0.5mm ²)	489 ft (149 m)
	18 AWG (1.0mm ²)	778 ft (237 m)
	16 AWG (1.5mm ²)	1,235 ft (376 m)
7 Conductors [†]	20 AWG (0.5mm ²)	978 ft (298 m)
	18 AWG (1.0mm ²)	1,556 ft (474 m)
	16 AWG (1.5mm ²)	2,470 ft (752 m)

*Distances are calculated with both motors (pan and tilt) running and assuming a 10% voltage drop.

[†] Using 2-wire motor common.

MECHANICAL

Pan	Movement in horizontal plane: 0 to 355° (PT1280P); 360° (PT1280SL)
Speed	6°/sec ±1°
Torque	50 ft-lb with specified voltage
Tilt	±90° movement in vertical plane
Speed	3°/sec ±0.5°
Torque	100 ft-lb with specified voltage
Maximum Load	100 lb (45.4 kg) at 5 inches (12.7 cm) from tilt table surface to center of gravity
Gearing	Adjustable worm-gear final drive
Bearings	
Pan	Heavy duty ball bearings
Tilt	Oilite bronze bushing
Duty Cycle	50% duty cycle; 30 minute rating

GENERAL

Construction	Aluminum casting and plate; all internal parts corrosion protected
Finish	Gray polyester powder coat
Environment	Indoor/outdoor; -10° to 120°F (-23° to 49°C)
Unit Weight	55 lb (24.9 kg)
Shipping Weight	60 lb (27.2 kg)

CERTIFICATIONS/RATINGS

- UL Listed
- Meets NEMA Type 3R standards

OPTIONAL ACCESSORY

FGP/1250P	High speed gearing for pan, 12°/sec (factory installed option)
-----------	--

RECOMMENDED CONTROLS

Coaxitron® or Matrix	Refer to individual specification sheets for information; preset pan/tilt must be used with Coaxitron or matrix control with PP capability and preset receiver
MPTAZ Series	Desktop control (PTZ) with auto/random scan

RECOMMENDED ENCLOSURES

EH5700 Series	Environmental enclosure, large
---------------	--------------------------------

RECOMMENDED MOUNTS

PA2010	Adapter plate; required when using WM2000
PM2000, PM2010	Ceiling/pedestal mount; maximum load 125 lb (56.7 kg)
ST1	Support strut for WM2000/PM2000/PM2010
WM2000	Wall mount; use with PA2010 adapter and ST1 support strut
WM3026	Wall mount with adjustable head

ACCESSORIES

LL27 Series	Low light infrared illuminator with 500 W lamp
-------------	--

Pelco, the Pelco logo, and other trademarks associated with Pelco products referred to in this publication are trademarks of Pelco, Inc. or its affiliates. All other product names and services are the property of their respective companies. Product specifications and availability are subject to change without notice. ©Copyright 2010, Pelco, Inc. All rights reserved.