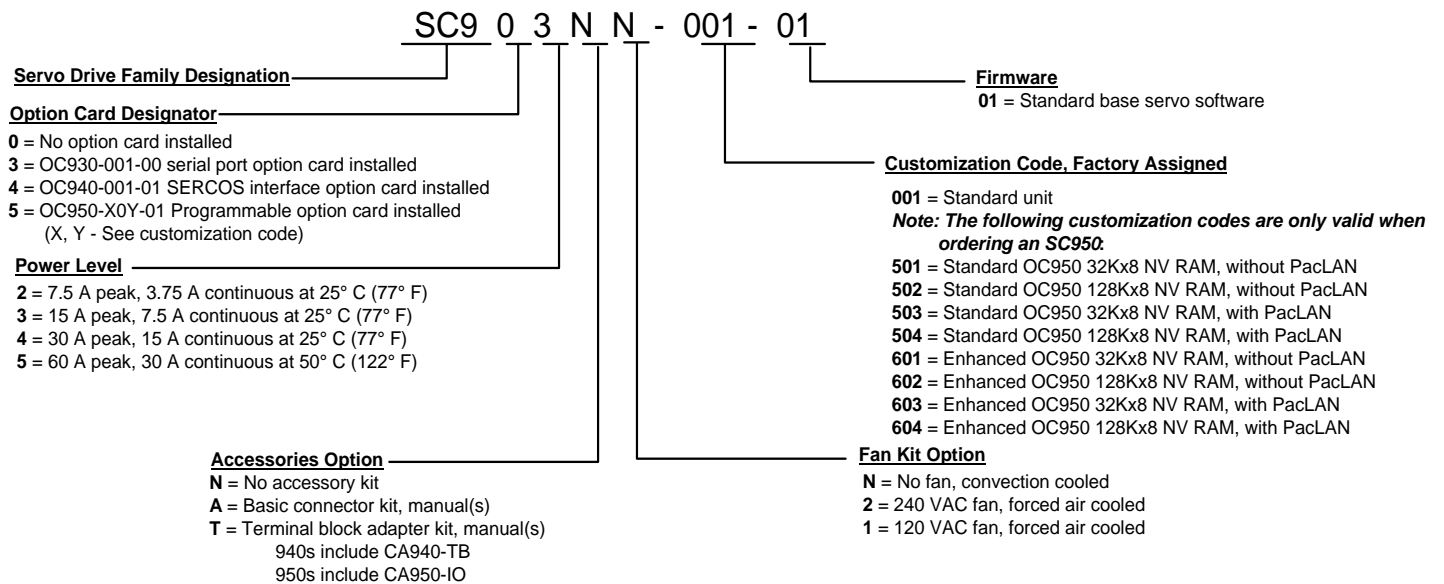


SC900 Servo Drive Family Information

An SC900 all digital brushless servo can be ordered with or without accessories, such as manuals and mating connectors. Please check your shipment against the following ordering guide to verify you have received what was ordered. If an item is missing or additional accessories are required, please contact your local distributor or sales representative.

ORDER NUMBER CODE



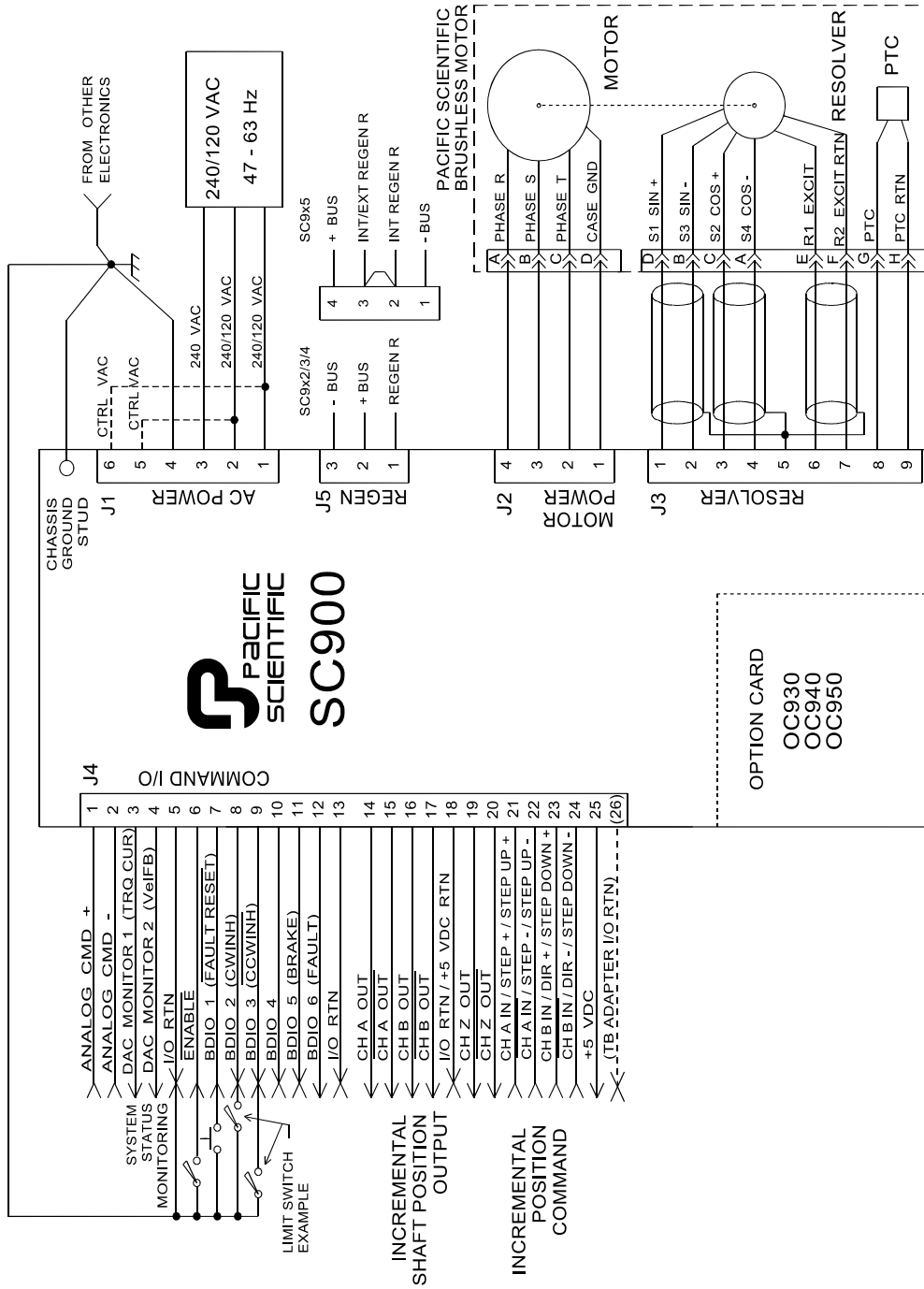
Example Order Numbers

<u>Package Order #</u>	<u>Model #s Included</u>	<u>Description</u>
SC933TN-001-01	SC903-001-01 OC930-001-00 CA903-TB MA900 MA930	15 A peak standard servo drive Serial port option card TB adapter SC903 connector kit <i>SC900 Family Hardware Reference Manual</i> <i>OC930 Hardware and Software Reference Manual</i> 930 Dialogue 3.5" floppy
SC904AN-001-01	SC904-001-01 CA904 MA900	30 A peak standard drive Basic SC904 connector kit <i>SC900 Family Hardware Reference Manual</i>
SC932NN-001-01	SC902-001-01 OC930-001-00	7.5 A peak standard drive Serial port option card
SC954NN-503-01	SC904-001-01 OC950-503-01	30 A peak standard drive OC950 programmable option card with 32Kx8 NV RAM and PacLAN

SCE900 ACCESSORY ORDER NUMBERS

Part	Order Number	Comments
Option Cards Blank panel Firmware upgrade Serial communications SERCOS interface Programmable option card	OC900-001 OC900-002-01 OC930-001-0x OC940-001-01 OC9500x0y-01	Blank panel to cover unused option card slot Firmware upgrade option card Adds RS-232/485 serial communications (-00 standard, -01 firmware upgrade) Adds SERCOS interface capability where x determines standard or enhanced firmware x = 5 for standard firmware x = 6 for enhanced firmware where y determines the amount of NV RAM and PacLAN y = 1 for 32Kx8 NV RAM without PacLAN y = 2 for 128 Kx8 NV RAM without PacLAN y = 3 for 32 Kx8 NV RAM with PacLAN y = 4 for 128 Kx8 NV RAM with PacLAN
Connector Kits	CA90x CA90x=TB CA940-TB CA950-IO	where x = <i>power level</i> Base drive terminal block(s) and D connector mates Base drive terminal block(s) and D connector terminal block adapter mates OC940 J43 Terminal block adapter OC905 Industrial I/O Rack interface adapter board
Fan Kits for SC9x2 for SC9x3/4	OF902-00x OF903-00x	Adds forced air cooling to SCE900 base drive where x = 1 for 120 VAC 60Hz where x = 2 for 240 VAC 50/60 Hz
Manuals SC900 base drive OC930 option card OC940 option card OC950 option card	MA900 MA930 MA940 MA950-IDE	Hardware reference manual for SC900 Hardware and software refererence manual Hardware and software reference manual Hardware and software reference manual – plus integrated development environment on 3.5" disk
I/O Emulator Box SC900 base I/O SC950 I/O	IOEM-900 IOEM-950	Exercises SC900 J4 base drive I/O Exercises OC950 J52 option card I/O

Wiring Diagram



Contact Information

Danaher Motion Customer Support
Website: www.DanaherMotion.com
Email: customer.support@danahermotion.com
Phone: (540) 633-3400
Fax: (540) 639-4162