

I/O module - IB L2 BOX AO 1/2/I M12 - 2731937

Please be informed that the data shown in this PDF Document is generated from our Online Catalog. Please find the complete data in the user's documentation. Our General Terms of Use for Downloads are valid (<http://download.phoenixcontact.com>)



Analog output module, 1 analog output, 0 - 20 mA, 4 - 20 mA, 2-wire connection method, IP65/67 protection

Product description

These analog output modules in IP67 protection for the housing enable the connection of analog actuators to INTERBUS via M12 plug connectors.

These analog modules have one channel which can output either current (0 - 20 mA, 4 - 20 mA) or voltage (10 V) with a 12-bit resolution.

All analog actuators are connected with common M12 connectors. The modules are connected to INTERBUS-Loop 2 using the QUICKON fast connection system.

Key commercial data

Packing unit	1
Minimum order quantity	1
Catalog page	Page 245 (AX-2004)
GTIN	 4 017918 171377
Custom tariff number	85371099
Country of origin	GERMANY

Technical data

Interfaces

Interface	INTERBUS-Loop 2
Connection method	QUICKON fast connection

Power supply

Typical current consumption	60 mA (from INTERBUS-Loop 2)
Max. current consumption	70 mA (from INTERBUS-Loop 2)
I/O voltage	± 24 V DC 5 % (ripple (via INTERBUS-Loop 2))
I/O voltage range	19.2 V DC ... 30 V DC

Outputs

No. of channels	1
Connection method	2-wire
Current output signal	0 mA ... 20 mA (0 mA ... 20 mA, 4 mA ... 24 mA)
Load/output load current output	0 Ω (up to 550 Ω, at 0 mA ... 20 mA)
Quantization current output	305 nA (DAC LSB -at 0 - 20 mA)

I/O module - IB L2 BOX AO 1/2/I M12 - 2731937

Technical data

Outputs

Basic error limit	0.05 %
Representation of output values	16 bit complement on two
Representation of output values	16 bit complement on two
DAC resolution	16 Bit
DAC resolution	16 Bit
A/D conversion time	1 ms

General data

Weight	135 g
Width	62 mm
Height	60 mm
Length	95 mm

Classifications

ETIM

ETIM 2.0	EC001431
ETIM 3.0	EC001596
ETIM 4.0	EC001596

UNSPSC

UNSPSC 11	43172015
UNSPSC 12.01	43201404
UNSPSC 13.2	43201404
UNSPSC 6.01	43172015
UNSPSC 7.0901	43201404

eCl@ss

eCl@ss 4.0	27250303
eCl@ss 4.1	27250303
eCl@ss 5.0	27250303
eCl@ss 5.1	27242601
eCl@ss 6.0	27242601
eCl@ss 7.0	27242601

Accessories

Accessories

Assembly

I/O module - IB L2 BOX AO 1/2/I M12 - 2731937

Accessories

Protective cap - IBS IP PROT-IO - 2759919



Protection cap, for unused M12 sensor/actuator connections

Pg screw connection - IBSL PG-SET - 2721992

INTERBUS-Loop 2 PG set, consisting of 5 cover caps for the actuator supply and 20 Pg cable glands (collar, splice ring, grommet, cap nut), Pg11 and Pg13.5

Cable/conductor

Cable - IBSL SLC CU2/1,5-METER - 2721620



INTERBUS Loop cable, marked in meters with consecutive numbers, green, unshielded, 2 x 1.5 mm², by the meter

Marking

Marking label - IBSL ZB-SET - 2721989

INTERBUS-Loop 2 set, consisting of 50 Zack marker plates and 15 protection caps for M12 sensor/actuator female connectors

Contact marker – zack marker strip - SS-ZB YE - 5031650



Contact marker – zack marker strip, Strip, yellow, Unlabeled, Can be labeled with: Plotter, Mounting type: Snap into flat marker groove, Lettering field: 20 mm x 8 mm

Contact marker – zack marker strip - SS-ZB WH - 5031171

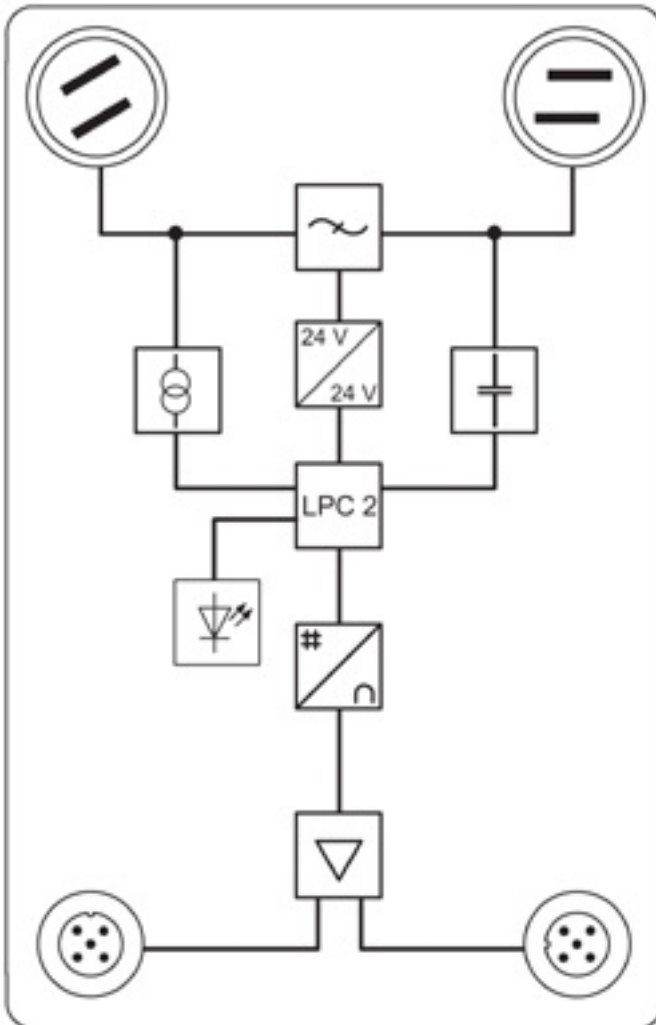


Contact marker – zack marker strip, Strip, white, Unlabeled, Can be labeled with: Plotter, Mounting type: Snap into flat marker groove, Lettering field: 20 mm x 8 mm

I/O module - IB L2 BOX AO 1/2/I M12 - 2731937

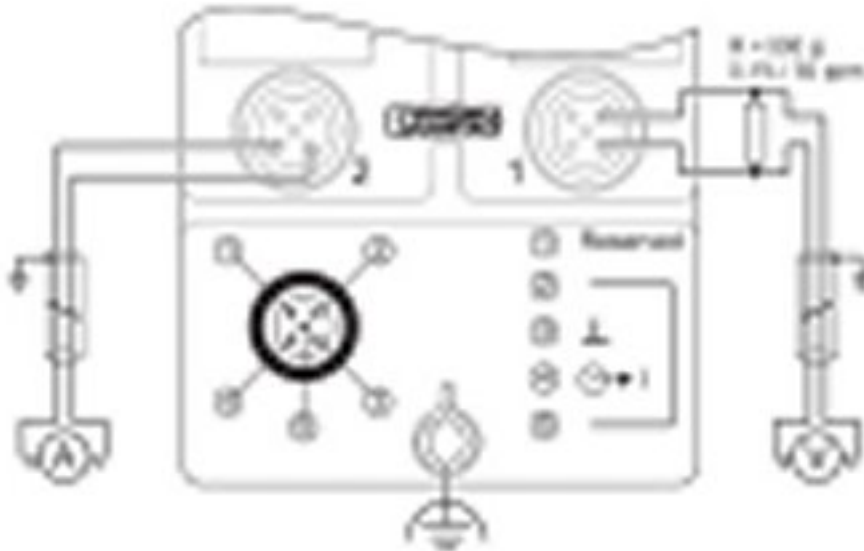
Drawings

Block diagram



I/O module - IB L2 BOX AO 1/2/I M12 - 2731937

Connection diagram



Dimensioned drawing

