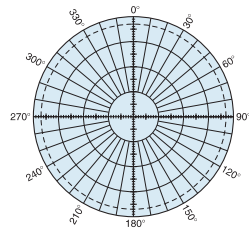
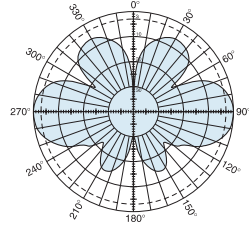


Gain 5 dBi
 890–960 MHz
 V - POL
 0° Electrical Downtilt



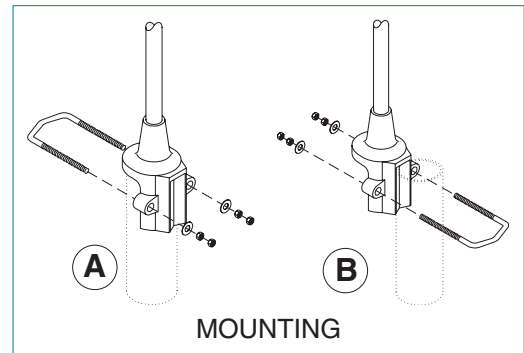
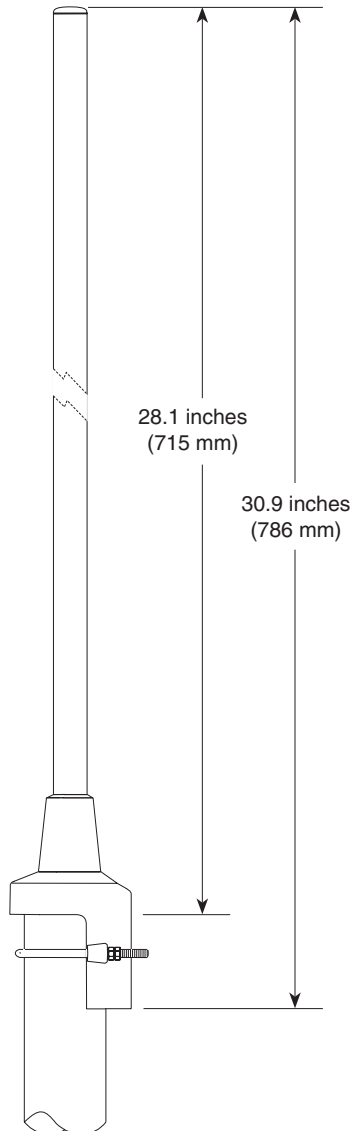
H-plane
 Horizontal pattern
 V-polarization



E-plane
 Vertical pattern
 V-polarization

Specifications:

Frequency range	890–960 MHz
Gain	5 dBi
Impedance	50 ohms
VSWR	< 1.5:1
Intermodulation (2x5w)	IM3: <-150dBc
Polarization	Vertical
Maximum input power	250 watts (at 50°C)
H-plane beamwidth	Omni
E-plane beamwidth	30 degrees (half power)
Connector	N female
Weight	2.0 lb (0.9 kg)
Height	28.1 inches (715 mm)
Radome diameter	0.83 inches (21 mm)
Wind load	at 93 mph (150kph)
Side	5 lbf (20 N)
Wind survival rating	120 mph (200 kph)
Shipping dimensions	32.5 x 4.4 x 3.8 inches (825 x 112 x 97 mm)
Shipping weight	5.0 lb (2.3 kg)



Mounting Equipment:

Description

Mounting hardware supplied.

- A. Mounting for 1.6 to 2.1 inch (40 to 54 mm) OD mast.
- B. Mounting for 0.8 to 2.1 inch (20 to 54 mm) OD mast.

Order Information:

Model	Description
K7515641	Antenna with N connector
OGB3-900N	0° electrical downtilt