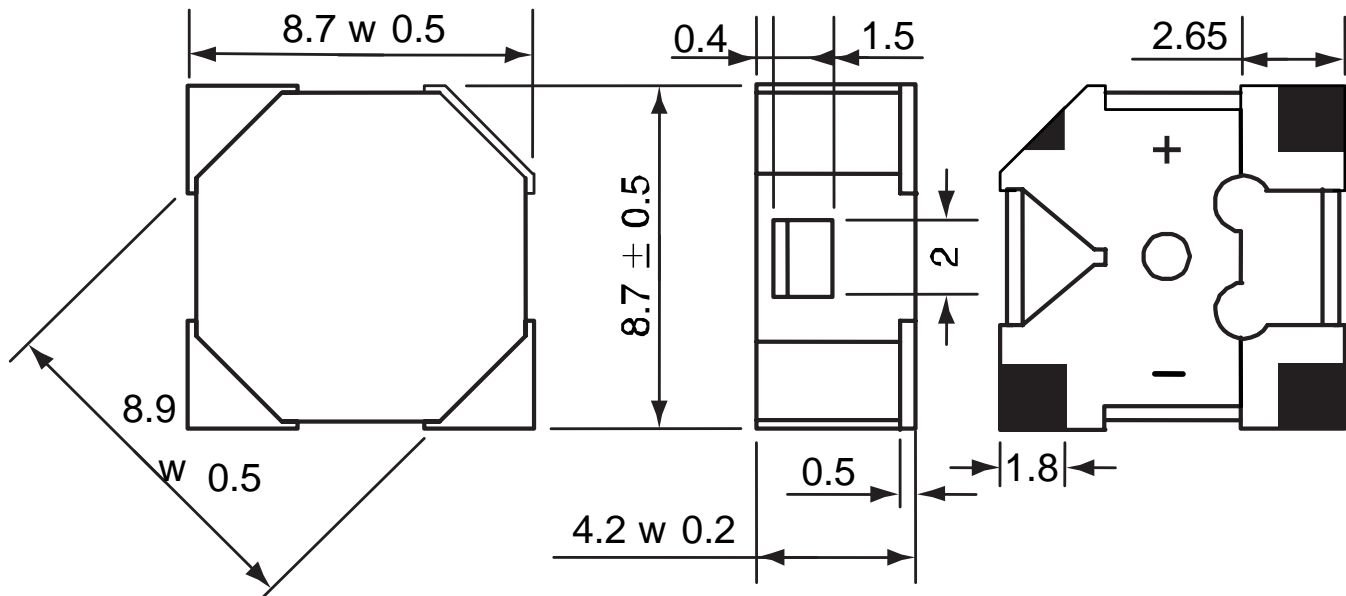


Specifications:

Resonant Frequency (Hz)	2731 ± 500
Operating Voltage (Vp-p)	2.0 ~ 5.0
Rated Voltage (Vp-p)	3.0
Current Consumption Max. (mA)	80 at Rated Voltage
Sound Pressure Level Min. (dB)	85 at 10cm at Rated Voltage
Coil Resistance (Ω)	18 ± 2
Operating Temperature (°C)	-20 ~ +70
Storage Temperature (°C)	-30 ~ +80
Housing	PPO plastic resin (Color: Black)
Type of Connection Terminals	SMD
Weight (Grams)	0.6
Options	For other options contact factory

PS: Vp-p = 1/2duty, square wave

Dimensions: (units: mm)**Packaging:**

Parts are supplied in tubes (50 qty per tube)

Units do not come with wash label and are not appropriate for aqueous wash.