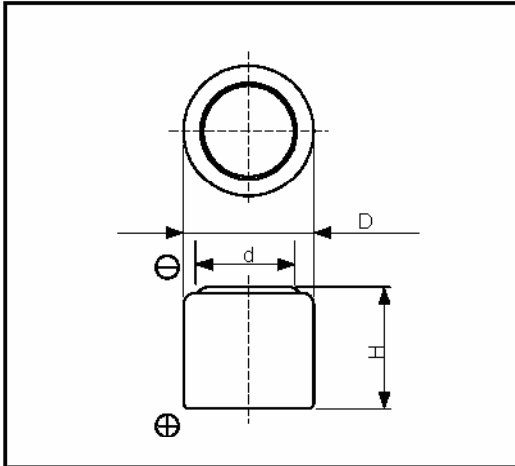


Cell Type CR1/3N Specifications



Nominal Capacity ^{*1}	160mAh	
Nominal Voltage	3V	
Standard Discharge Current	2mA	
Max. Discharge Current	Continuous ^{*2}	60mA
	Pulse ^{*3}	80mA
Temperature Range	-40°C ~ 60°C	
Weight	3.3g	
Dimensions	D	11.6mm
	H	10.8mm
	d	9.1mm

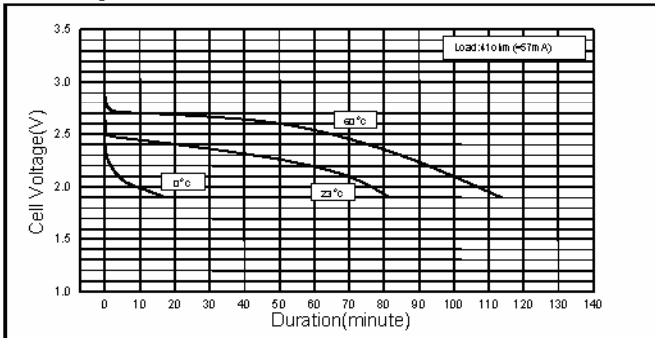
*1 Nominal capacity is determined to an end voltage of 2.0V when the battery is allowed to discharge at a standard current level at 23°C.

*2 Current value is determined to be the level at which 50% of the nominal capacity is obtained with an end voltage of 2.0V at 23 °C.

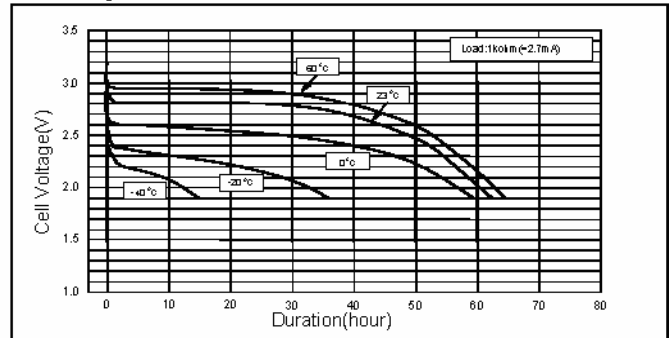
*3 Current value for obtaining 2.0V cell voltage when pulse is applied for 15seconds at 50% discharge depth at 23 °C.

Typical Characteristics

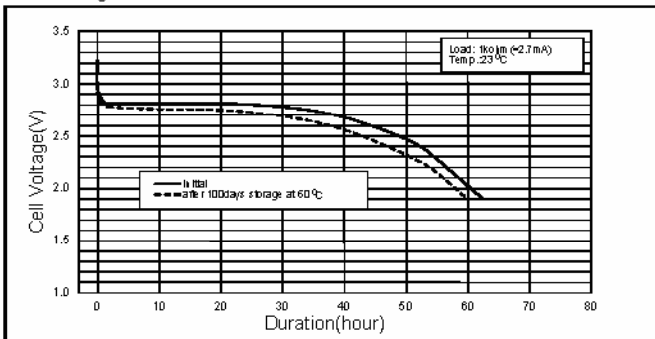
Discharge Characteristics of CR1/3N



Discharge Characteristics of CR1/3N



Discharge Characteristics of CR1/3N



Discharge Load vs. Capacity of CR1/3N

