

INDUSTRIAL PROCESS CONTROLS

Paragon has taken the popular JW one step further. Our new exclusive EJW is an accurate and reliable electronic time control with the look and feel of analog technology. The EJW gives you the equivalent of 32 JW controls in just one unit.

The EJW gives you the ability to choose a format that's best for your schedule and the application. The dials are like volume controls on a radio. The left dial selects time durations ranging from 15 seconds to 24 hours. The right dial indicates the percentage of ON time for the selected duration.

FEATURES & BENEFITS:

- ▶ ON time adjustable from 1% to 99% of full-scale dial for a wide range of ON/OFF combinations
- ▶ Time intervals can be set from 15 seconds to 24 hours
- ▶ Easy adjustment of set ON/OFF percentage
- ▶ Control available in NEMA 4X for the harshest environments
- ▶ ON and OFF settings provides continuous ON or OFF if necessary
- ▶ Load status indicated through 2-color LED
- ▶ Mounts in tight spaces with compact size
- ▶ Multivoltage applications, 120V-240V
- ▶ SPDT relay provides NO or NC applications
- ▶ Accurate to within 1% of selected time duration
- ▶ UL and CSA listed



EJW



EJW-M

WHY ▶ *Specify Paragon*

Since 1903, Paragon has been the leader in time and process control technology. As inventor of the 24-hour time switch, Paragon's heritage of patents, unparalleled quality and solutions-driven innovations have made us one of the most recognized names in time control products.

PHYSICAL

EJW Series
 NEMA 4X Non-metallic enclosure
 Dimensions
 Width 4-3/4", Height 4-3/4", Depth 4-3/4"
 Weight Approximately 1 lb.

EJW-M Series
 Mechanism only
 Dimensions
 Width 4-3/4", Height 4-3/4", Depth 1"
 Weight Approximately 1/2 lb.

ENVIRONMENTAL

The EJW Series is housed in a NEMA 4X non-metallic enclosure suitable for indoor use. The EJW-M is a mechanism only control and should be mounted indoors in an area that is free of excessive contaminants such as oil, grease, dirt, etc.

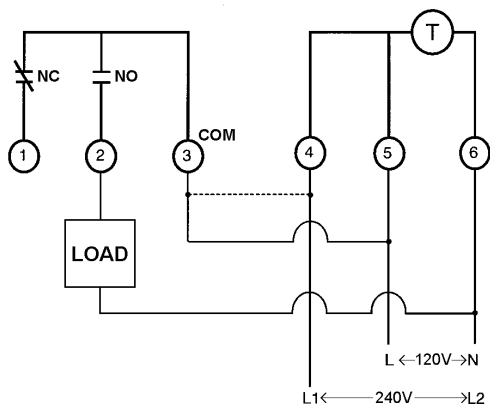
HOW TO SPECIFY

Installer shall furnish and install Paragon EJW (or, EJW-M) industrial process control with one SPDT relay. Contacts (NO) to be rated at 20 amperes at 120-240 volts. Providing 32 distinct timing durations and 32 percentages.

ELECTRICAL SPECIFICATIONS

Model No.	Switch Type	AC Line		Switch		Hp		Enclosure Type	Dimensions
		Volts	Hz	NO	NC	NO	NC		
EJW	SPDT	120	60	20amp	10amp	1	1/4	NEMA 4X	4 3/4"W x 4 3/4"H x 3"D
EJW-M	SPDT	240	60	20amp	10amp	2	1/2	Mechanism only for panel mount	4 3/4"W x 4 3/4"H x 1"D

TYPICAL WIRING DIAGRAM



SPECIFICATIONS

ELECTRICAL:

Power Requirements

Inputs: 120 and 240 VAC (+10% -15% at 60 Hz)

Outputs: SPDT relay with 20 Amp N.O. and 10 Amp N.C. general purpose at 120, 240 VAC; N.O. 1 HP at 120 VAC, 2HP at 240 VAC

ENVIRONMENTAL:

Operating Temperature Range: -20°F to 140°F (-29°C to 60°C).

Operating Humidity Range: Relative humidity up to 100%.

Water Resistance: The control will be capable of direct low-pressure water wash down according to NEMA 4x specification.

PHYSICAL:

Enclosure: NEMA type 4X enclosure standard (EJW). Watertight gasketed cover is flame retardant, UV stabilized and non-metallic.

Mounting: Control is compatible for mounting to Paragon's NEMA 4X non-metallic enclosure or for mounting onto a panel.

Timer Cover: The control has two control dials. One dial signifies the CYCLE TIME, settable from 15 seconds to 24 hours in 32 increments. The other dial signifies % ON time, settable from 0% (Continuous OFF) to 100% (Continuous ON) in 32 increments.

Timer Cover and Control Enclosure: Color is grey.

Programming Dials: Sealed from external access.

Legend: On front plate and highly visible at a minimum of 1/8 inch high.

RELIABILITY REQUIREMENTS:

Meets the requirements of QA-3 Procedure 57.001, Electronic Qualification Tests.

Designed to operate according to specification for a minimum of 100,000 relay cycles.

Designed to operate for a minimum life expectancy of three (3) years in commercial, industrial or institutional environments not exceeding 100,000 relay cycles.

AGENCY REQUIREMENTS:

The control is UL and CSA listed.



Maple Chase Company
 2820 Thatcher Road
 Downers Grove, Illinois 60515-4040
 United States of America
 Telephone +1 800 951 5526
 Facsimile +1 630 963 0650

Canada
 Director of Canada Sales
 5785 Kennedy Road
 Mississauga, Ontario L4Z 2G3
 Telephone 1 905 890 5956
 Facsimile 1 905 890 6098

