

ACP-7000

7U 20-slot Rackmount Chassis with 6 Hot Swap Ultra320 SCSI SCA HDD Bays and RPS

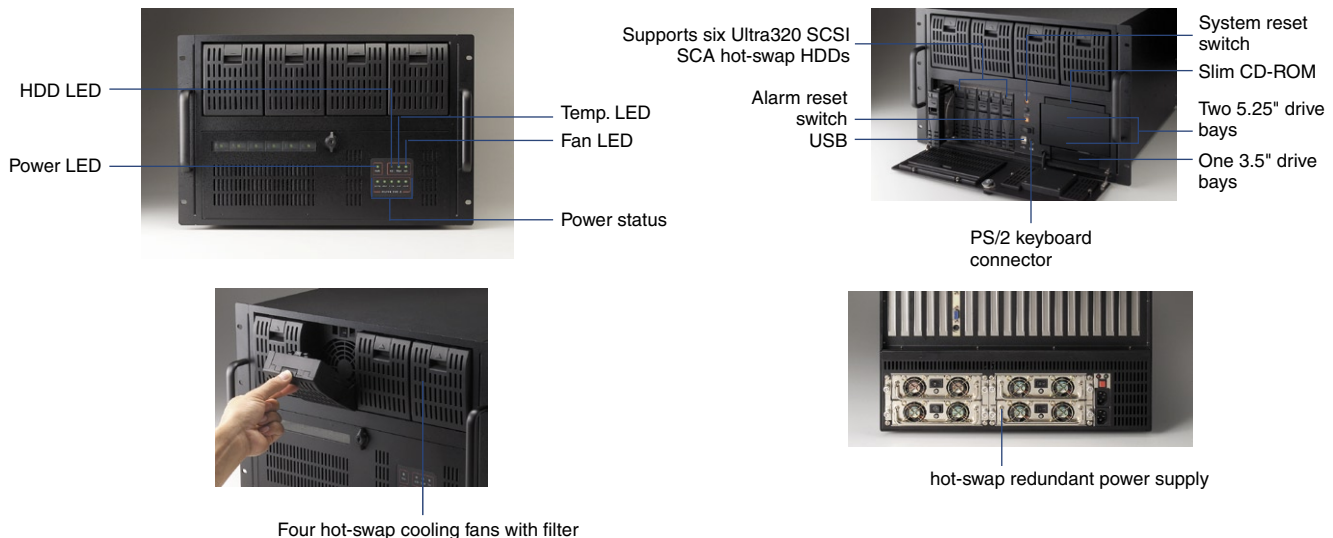


Features

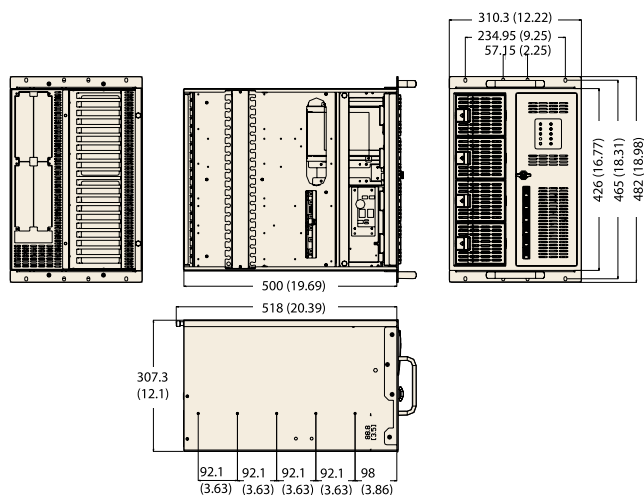
- Supports either a 20-slot backplane or an ATX motherboard. The motherboard version supports the latest high-performance server board with up to 2/4-way interleaving
- Ultra320 SCA SCSI data storage unit, which meets the SAF-TE (SCSI Accessed Fault-Tolerant Enclosure) specification
- Best-in-class reliability and uptime with hot-swap components, including SCSI HDD storage, high-speed cooling fans, and front accessible redundant power supply, to minimize system down time
- Front-visible system alarm notification LEDs, including: system operation, system power, and SCSI storage status
- Front-accessible USB and PS/2 interfaces for easy data transfer
- Lockable front-door prevents unauthorized access

Specifications

Drive Bay	Slim CD-ROM	Front-accessible	
	3.5"	1	
	5.25"	6 (hot-swap), 1 (FDD, or HDD)	
Cooling	Fans	4 (58 CFM each) hot-swap; 2 (47 CFM each) for SCSI storage unit	
	Air Filters	Yes	
I/O Interface	USB	2 (front-accessible)	
	PS/2	PS/2 Keyboard & mouse, or PS/2 keyboard only, depending on the enclosed CPU board	
Miscellaneous	Slide Rail	General Device C-300 series supported (not included)	
Environment	Temperature	Operating 0 ~ 40° C (32 ~ 104° F)	Non-Operating -20 ~ 60° C (-4 ~ 140° F)
	Humidity	10 ~ 85 % @ 40° C, non-condensing	10 ~ 95 % @ 40° C, non-condensing
	Vibration (5-500 Hz)	1 Grms	2 G
	Shock	10 G (with 11 ms duration, half sine wave)	30 G
	Altitude	0 to 3,048 m (0 ~ 10,000 ft)	
Physical Characteristics	Dimensions (W x H x D)	482 x 307 x 500 mm (19" x 12.1" x 19.7")	
	Weight	35 kg (77 lb)	



Dimensions



Unit: mm (inch)

Power Supply Options

Part Number	Watt	Input	Specifications			
			Output	Mini-load	Safety	MTBF
1757000177G (for ACP-7000BP) 1757946007G (for ACP-7000MB)	460 W ATX PFC	AC 100 ~ 240 V (full-range)	+5 V @ 40 A, +3.3 V @ 30 A +12 V @ 32 A, -5 V @ 0.8 A -12 V @ 1 A, +5 Vsb @ 2 A	+5 V @ 5 A +3.3 V @ 1 A +12 V @ 2.5 A +5 Vsb @ 0.1 A	UL/TUV/CB/CCC	100,000 hours @ 25° C
1757957002G (for ACP-7000BP) 1757957001G (for ACP-7000MB)	570 W ATX PFC	AC 115 ~ 230 V (full-range)	+5 V @ 50 A, +3.3 V @ 40 A +12 V @ 34 A, -12 V @ 1 A -5 V @ 1 A, +5 Vsb @ 1.2 A	+5 V @ 6 A +3.3 V @ 2 A +12 V @ 3 A -12 V @ 0.1 A -5 V @ 0.1 A +5 Vsb @ 0.1 A	UL/TUV/CB	100,000 hours @ 25° C
1757981000G (for ACP-7000BP) 1757981001G (for ACP-7000MB)	810 W ATX PFC	AC 115 ~ 230 V (full-range)	+5 V @ 75 A, +3.3 V @ 60 A +12 V @ 51 A, -12 V @ 1.5 A -5 V @ 1.5 A, +5 Vsb @ 1.6 A	+5 V @ 9 A +3.3 V @ 3 A +12 V @ 4.5 A -12 V @ 0.15 A -5 V @ 0.15 A +5 Vsb @ 0.15 A	UL/TUV/CB/CCC	100,000 hours @ 25° C

Passive Backplane Options

Part Number	Slot	Segment
PCA-6120P4-0B2E	14 ISA, 4 PCI, 2 PICMG	Single
PCA-6119P7-0B2E	10 ISA, 7 PCI, 2 PICMG	Single
PCA-6119P17-0B2E	16 PCI, 1 PICMG/PCI, 1 PICMG	Single
PCA-6120P12-0A2E	7 ISA, 11 PCI, 1 PICMG, 1 PICMG/PCI	Single
PCA-6120P18-0A2E	1 ISA, 17 PCI, 1 PICMG, 1 PICMG/PCI	Single
PCA-6120DP4-0B2E	7 ISA, 6 PCI, 2 PICMG/PCI, 4 PICMG	Dual
PCA-6120Q-0B2E	20 ISA	Quad
PCA-6116QP2-0B2E	1 ISA, 8 PCI, 7 PICMG	Quad
PCA-6115QP2X-0A2E	8 PCI, 7 PICMG	Quad

Accessories

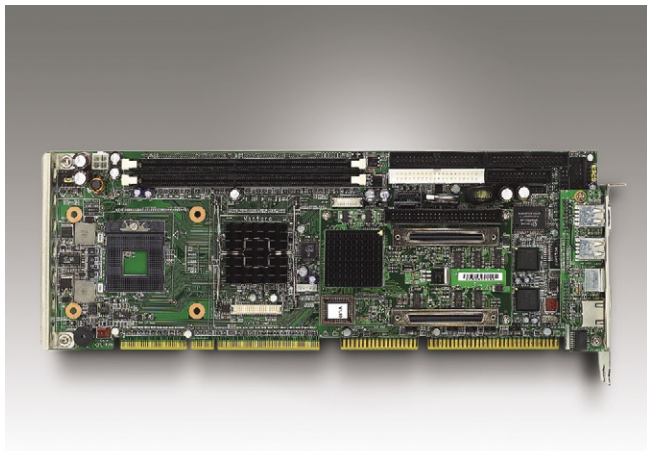
Part Name	Description
19914K0010	Door filter 97.6 x 36.6 x 5 mm
19997K0010	Door filter 174 x 79.2 x 5 mm
19997K0020	Fan filter 104 x 92 x 5 mm
96FDD-144-TE-B1	Black 3.5" FDD
96CD-52X-I-AS-B2	Black 5.25" 52X CD-ROM
96DVR-40X-I-AS-B	Black 5.25" 16X/40X/24X DVDRW-ROM
SCD-ROME	Black slim-type 24X CD-ROM drive with 40-pin IDE connector
SDVD-CDRWE	Black slim-type 8X DVD + 24X CD-ROM drive with 40-pin IDE connector

Ordering Information

Part Number	Power Supply	Backplane	Regulation
ACP-7000BP-46RE	1757000177G (1+1 redundant)	--	CE
ACP-7000BP-57NE	1757957002G (2+1 redundant)	--	CE
ACP-7000BP-81NE	1757981000G (3+1 redundant)	--	CE
ACP-7000MB-46RE	1757946007G (1+1 redundant)	(Motherboard version)	None

PCA-6189

Socket 479 Pentium® M/Celeron® M Processor Card with 64-bit PCI-X/VGA/ Dual GbE LAN



Features

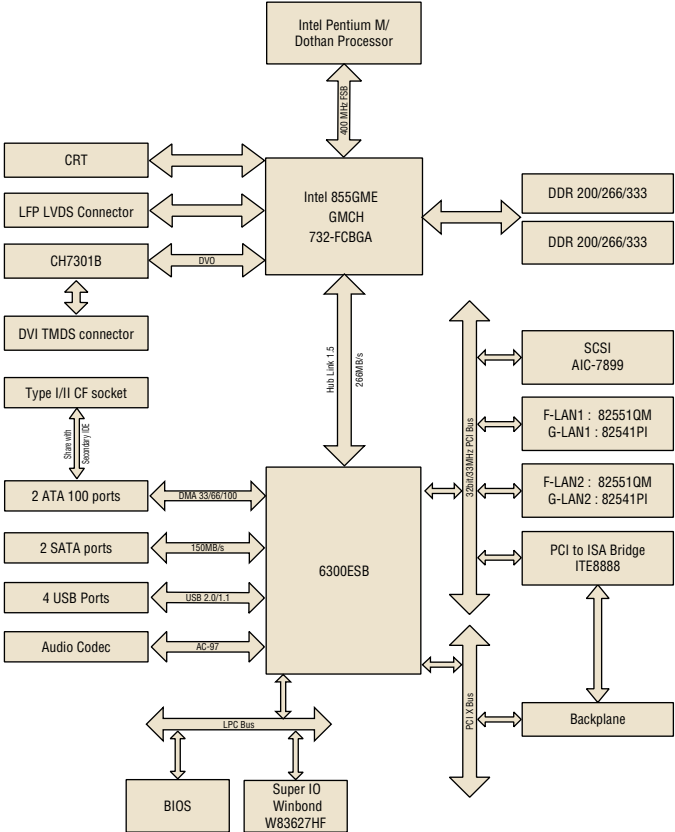
- Intel® 855GME chipset 400 MHz FSB
- Supports two DIMMs DDR 200/266/333 SDRAM
- Supports up to two devices with software Serial ATA RAID 0,1
- Onboard Adaptec AIC-7899 dual channel Ultra 160 SCSI up to 160 MB/s
- Onboard integrated VGA controller, supports dual display
- LVDS and DVI panel support
- 64-bit/66 MHz PCI-X
- Supports 10/100/1000Base-T Ethernet
- Optional fanless solution with onboard ultra low voltage Celeron® M processor at 1.0 GHz



Specifications

Processor System	CPU	Intel Pentium® M	Intel Celeron M
	Max. Speed	2.1 GHz and above (400 FSB)	1.5 GHz and above (400 FSB)
	L2 Cache	1 MB/2 MB	512 KB/1 MB
	Chipset	Intel 855GME + 6300ESB	
	BIOS	Award 4 Mbit FWH	
	Front Side Bus	400 MHz	
Bus	PCI	64-bit/33/66 MHz PCI, 66 MHz PCI-X	
	ISA	HISA (ISA high drive), no DMA support	
Memory	Technology	One channel DDR 200/266/333 MHz with ECC support	
	Max. Capacity	2 GB	
	Socket	184-pin DIMM x 2	
Graphic	Controller	Chipset integrated VGA controller	
	VRAM	Dynamically shared system memory, 8 ~ 64 MB	
	Video Output	1 VGA port, 2048 x 1536, up to 75 Hz 1 LVDS connector, dual channel from 25 MHz to 112 MHz 1 DVI connector, 2048 x 1536 at 75 Hz	
Ethernet	Interface	10/100Base-T; 10/100/1000Base-T (optional)	
	Controller	LAN 1: Intel 82551QM (FE); Intel 82541PI (GbE) LAN 2: Intel 82541PI (GbE)	
	Connector	RJ-45 x 2	
SATA	Max. Data Transfer Rate	150 MB/s	
	Channel	2	
EIDE	Mode	ATA 100/66/33	
	Channel	2 (Max. 4 devices)	
I/O Interface	USB	Max. 4 (USB 2.0 compliant)	
	Serial	2 (RS-232)	
	Parallel	1 (SPP/EPP/ECP)	
	FDD	1	
	PS/2	1	
Watchdog Timer	Output	Interrupt, system reset	
	Interval	Programmable, 1 ~ 255 sec.	
Miscellaneous	Audio Output	AC-97 audio interface (requires an audio extension module P/N: PCA-AUDIO-00A1)	
	Solid State Disk	Compact Flash socket (Type I / II), shared with secondary IDE	
Power Requirement	Typical	Intel Pentium M 1.8 GHz with 400 MHz FSB, 512 MB DDR 333 SDRAM	
		+5 V -5 V +12 V -12 V	
		3.29A 0.01 A 1.45A 0.01 A	
Environment		Operating	Non-Operating
	Temperature	0 ~ 60 °C (32 ~ 140 °F), depends on CPU's speed	-20 ~ 70 °C (-40 ~ 158 °F)
Physical Characteristics	Dimensions (W X D)	338 x 122 mm (13.3" x 4.8")	

Block Diagram



Ordering Information

Part Number	Processor	Fast Ethernet LAN	Gigabit LAN	SCSI
PCA-6189VE-00A2E	-	Single	-	-
PCA-6189VG-00A2E	-	-	Single	-
PCA-6189G2-00A2E	-	-	Dual	-

Packing List

Part Number	Description	Quantity
1700340640	FDD cable	X 1
1701400452	IDE HDD cable	X 2
1700071000	Serial ATA HDD data cable	X 2
1703150102	Serial ATA HDD power cable	X 2
170304015K	ATX 12 V power converter cable	X 1
1701260305	Printer + COM cable	X 1
1700060202	Y cable for PS/2 mouse & keyboard	X 1
1700000821	DVI cable	X 1
1700002204	USB cable with 2 ports	X 1
1960001631	Low profile CPU cooler	X 1
9689000068	Jumper pack	X 1
-	Startup manual	X 1
-	Utility CD	X 1

Bracket View



PCA-6189VE-00A2E
PCA-6189VG-00A2E



PCA-6189G2-00A2E

Accessories

Part Number	Description
PCA-AUDIO-00A1E	Audio extension module