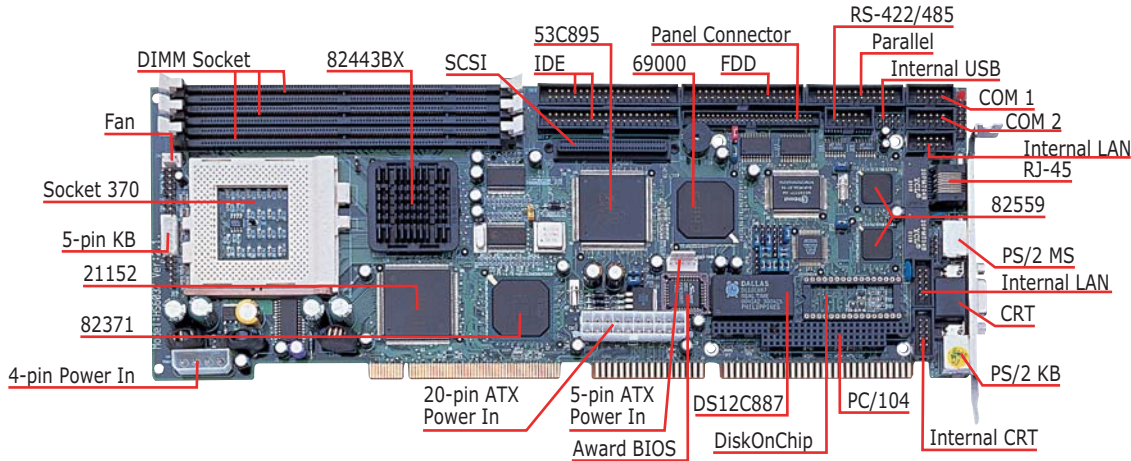


PICMG Bus Single Board Computer HS-6037

- PCI Bridge
- CRT/Panel
- Dual LAN
- SCSI
- RS-232/422/485
- PC/104
- IrDA
- USB
- DOC
- WDT
- CTA
- CTM

Socket 370 PICMG Bus SBC with CRT/Panel, SCSI & Dual LAN



■ Features

- Socket 370 for Intel Celeron/Coppermine 300~850MHz CPU
- Three DIMM sockets with a max. capacity of 768MB
- Intel 82443BX/82371 system chipset
- Winbond W83977 super I/O chipset
- Intel 21152 PCI Bridge controller
- C&T 69000 CRT/Panel display controller
- Dual Intel 82559 10/100 Based LAN
- Symbios 53C895 Ultra II SCSI controller
- Two COM, two USB connectors
- PC/104 Bus connector
- DiskOnChip socket supporting memory sizes of up to 288MB
- Supports CPU Temperature Alarm, CPU Temperature Monitor function

■ Specifications

- ***CPU:** Socket 370 for Intel Celeron/Coppermine 300~850MHz CPU
- ***Bus Interface:** PICMG Bus
- ***Memory:** Three DIMM sockets supporting up to 768MB
- ***Chipset:** Intel 82443BX/82371
- ***I/O Chipset:** Winbond W83977
- ***PCI Bridge:** Intel 21152 or equivalent device
- ***VGA:** C&T 69000 with 2MB memory supporting CRT/Panel displays up to 1280 x 1024 at 256 colors
- ***LAN:** Dual Intel 82559 10/100 Based LAN
- ***SCSI:** Symbios 53C895 Ultra II SCSI controller
- ***IDE:** Four IDE disk drives supporting ATA/33 and with a transfer rate of 33MB/sec.
- ***FDD:** Supports up to two floppy disk drives
- ***Parallel:** One enhanced bi-directional parallel port supporting SPP/ECP/EPP
- ***Serial Port:** 16C550 UART-compatible RS-232/422/485 x 1 and RS-232 x 1 serial ports with 16-byte FIFO
- ***PC/104:** PC/104 Bus connector for 16-bit ISA Bus
- ***IrDA:** One IrDA TX/RX connector
- ***USB:** Two USB connectors
- ***Keyboard:** PS/2 6-pin Mini DIN or 5-pin connector
- ***Mouse:** PS/2 6-pin Mini DIN or 4-pin header
- ***DiskOnChip:** DiskOnChip socket supporting memory sizes of up to 288MB
- ***BIOS:** Award PnP Flash BIOS
- ***Watchdog Timer:** Sets 1/2/10/20/110/220 seconds activity trigger with Reset or NMI
- ***CMOS:** DS12C887 or equivalent device
- ***Power Consumption:** +5V/6.2A, +12V/120mA, -12V/50mA
- ***Temperature:** 0~+60°C (operating)
- ***CPU Temp. Alarm:** Beeping alarm when CPU's temperature exceeds heating limits
- ***CPU Temp. Monitor:** LM75 or equivalent device
- ***Dimensions:** 33.8(L) x 12.1(W) cm

■ Ordering Guide

- **HS-6037** Socket 370 SBC w/CRT/Panel, SCSI, Dual LAN, & 2C/485
- **HS-6037LLV** Socket 370 SBC w/CRT/Panel, Dual LAN, & 2C/485
- **HS-6037LV** Socket 370 SBC w/CRT/Panel, LAN, & 2C/485
- **HS-6037V** Socket 370 SBC w/CRT/Panel, & 2C/485



ISO 9001
Certification

Intel®
Communications
Alliance
Affiliate Member

