

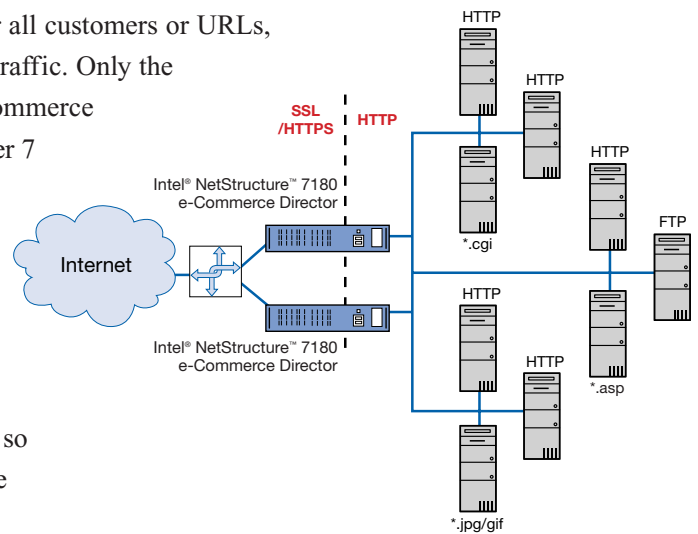
Intel® NetStructure™ 7180 e-Commerce Director

Security and traffic management for peak e-Commerce performance

KEY FEATURES

- 150 times' faster SSL processing for improved speed
- Response-time-based, prioritized service for secure transactions
- Prevents error messages for customer satisfaction

Speed up and manage secure traffic with the Intel® NetStructure™ 7180 e-Commerce Director – the first Internet equipment to combine Secure Socket Layer (SSL) acceleration and Layer 7 traffic management. Rack-mountable and easy to install between your router and server farm, each e-Commerce Director offloads encryption/decryption with patent-pending hardware and software to improve the response time of secure transactions. The Intel NetStructure 7180 e-Commerce Director controls Layer 7 application/content, enabling prioritization and differentiated service for all customers or URLs, including those with secure traffic. Only the Intel NetStructure 7180 e-Commerce Director provides active Layer 7 Intelligent Session Recovery technology for secure transactions, automatically detecting HTTP 400, 500 and 600 errors and transparently redirecting the transaction to another server so that the user's request may be efficiently fulfilled.



Features

Benefits

Patent-pending encryption/decryption hardware and software	Up to 150 times' faster SSL performance
Supports up to 600 SSL connections per second	Security and speed for e-Commerce
Offloads SSL handling from e-Commerce servers	Maximize Web server investment
Layer 7 application/content control of secure traffic	Faster response times without error messages for secure transactions
Prioritize and set target response times for selected service groups	Ensure QoS/SLAs for your most valued customers
Intelligent Session Recovery	Prevent "error" messages so that your customers complete their transaction
Support for cookies in SSL environment	Security for online shopping
Provides up to 3DES level of encryption	Trusted e-Commerce transactions
Easy installation	No additional server hardware or software needed
Automatically works with all servers and operating systems	Easily introduced into any server environment



SPECIFICATIONS

Intel® NetStructure™ 7180 e-Commerce Director

SERVERS SUPPORTED	<ul style="list-style-type: none"> ■ All commercial Web servers – Apache, Microsoft, Netscape, etc. ■ All operating systems – UNIX, Solaris*, Windows NT*, OS400*, BSD/BSDI, AIX, etc. ■ All server hardware – Sun, HP, IBM RS 6000* AND AS/400*, Compaq, SGI, Intel-based platforms ■ No practical limit on number of servers
SYSTEM ADMINISTRATION	<ul style="list-style-type: none"> ■ Web-based GUI and Command Line Interface for easier management ■ SNMP monitoring (MIB II and Private MIB) ■ Dynamic configuration through password-protected serial console ■ Dynamic loading and unloading of protocol support and policies ■ Certificate, private key, port numbers/IP per certificate, display log/diagnostic information
PERFORMANCE	<ul style="list-style-type: none"> ■ Rated at up to 600 HTTPS connections/sec, 800 HTTP connections/sec, 6,600 connections/sec, 95Mb/sec ■ Patent-pending technology offloads all encryption/decryption from server ■ Out-of-Path Return (OPR) delivers directly to the network ■ Transparent operation – supports single or multiple virtual IP (VIP) addresses per domain
PRIORITY CLASSES	<ul style="list-style-type: none"> ■ HTTP ■ HTTPS ■ FTP ■ NNTP ■ Any TCP port
INTELLIGENT CONTENT ROUTING	<ul style="list-style-type: none"> ■ URL ■ File type, e.g., *.gif ■ File path, e.g., \ads\ ■ File name, e.g., Index.html ■ Transaction type, e.g., *.cgi
INTELLIGENT SESSION RECOVERY	<ul style="list-style-type: none"> ■ Automatically resubmits requests ■ Traps 400, 500, 600 series errors for HTTP, HTTPS
RESPONSE-TIME-BASED PRIORITY DELIVERY FOR SECURE AND NON-SECURE TRANSACTIONS	<ul style="list-style-type: none"> ■ Sets and enacts target response times ■ Provides brokering based on class priority, target response times ■ Enables real-time performance monitoring ■ Automatic server weighing and tuning ■ Server-state aware (“sticky ports”) based on source IP or “cookie” ID
SYSTEM FAULT TOLERANCE AND FAILOVER	<ul style="list-style-type: none"> ■ Single site, single or multiple connections ■ Hot-hot mode ■ Automatic detection of services, status change and health of servers ■ Intelligent resource verification
SECURE ENVIRONMENT	<ul style="list-style-type: none"> ■ RSA, DSA, RC2, RC4, RC5, DES, 3DES, IDEA, CAST, CAST5, Blowfish, MD5, MDC2, RMD-160, SHA, SHA-1 security algorithms supported ■ Thwarts denial of service attacks ■ SSH for secure Command Line Interface (56- or 128-bit) ■ IP filtering ■ Serial port login
SERVER STICKY MODES	<ul style="list-style-type: none"> ■ Source IP ■ Cookies, including encrypted ■ SSL session ID
INTERFACE CONNECTIONS	<ul style="list-style-type: none"> ■ Dual 10/100 Ethernet ■ TTY serial – console ■ Failover port ■ Diagnostics port
PHYSICAL SPECIFICATIONS Dimensions (WxHxD)	Standard 19in rack-mount 17.1875 x 3.5 x 23.75in

FOR PRODUCT INFORMATION

World Wide Web:	www.intel.com/network
U.S. and Canada	800-538-3373
Europe	+44-1793-431-155
Japan	+81-298-47-0800
Hong Kong, Taiwan, Korea, Singapore and ASEAN	+65-735-3811
Australia	+61-2-9937-5800

CUSTOMER SUPPORT

Intel® Customer Support Services offers a broad selection of programs including extended phone support, upgrades, parts replacement, on-site services and installation. For more information, contact us on the World Wide Web at support.intel.com/support/network or call the number listed in the Product Information section for your area. Service and availability may vary by country.

ORDER CODE

Intel® NetStructure™ 7180 e-Commerce Director	CEA7180SUS
--	------------

COMPANION PRODUCTS

Consider these related Intel products in your network planning.

- Intel® NetStructure™ 7110 e-Commerce Accelerator
- Intel® NetStructure™ 7140 Traffic Director
- Intel® NetStructure™ 7170 Traffic Director
- Intel® NetStructure™ 7190 Multi-Site Traffic Director

¹ Tested publicly at NetWorld and Interop 1999 show May 10-12 using Sun E450 server with Solaris* operating system. Also see Networkshop “Scaling E-Commerce Applications” report of 1999: <http://www.networkshop.ca>

* Third-party trademarks are the property of their respective owners.

Information in this document is provided in connection with Intel products. No license, express or implied, by estoppel or otherwise, to any intellectual property rights is granted by this document. Except as provided in Intel's Terms and Conditions of Sale for such products, Intel assumes no liability whatsoever, and Intel disclaims any express or implied warranty, relating to sale and/or use of Intel products including liability or warranties relating to fitness for a particular purpose, merchantability, or infringement of any patent, copyright or other intellectual property right. Intel products are not intended for use in medical, life saving, or life sustaining applications. Intel may make changes to specifications and product descriptions at any time, without notice. For the most current product information, please visit <http://www.intel.com/network>

