

**DATA SHEET**
**SPECIFICATIONS**
**MODEL #5264  
AC GENERATOR**
**DC CHARACTERISTICS WHEN RECTIFIED  
BY A 3-PHASE, FULL WAVE BRIDGE RECTIFIER:**

<b>RPM</b>	<b>VOLTAGE</b>	<b>AMPERES</b>
6,250	19 (MIN)	2.5
10,418	23 (MAX)	3.5
10,418	60 (MAX)	NO LOAD

<b>OVERSPEED: SPEED</b>	11,980 RPM
<b>WINDING: POWER WINDINGS: OUTPUT FREQUENCY:</b>	SINGLE-PHASE @ 35 V P-P MAX 3-PHASE WYE-CONNECTED  1,389 HZ AT 10,418 RPM

<b>COOLING: AMBIENT: ALTITUDE: MTBF:</b>	AIR/OIL BATH -65°F TO 250°F 0 TO 35,000 FT 5000 HOUR
--	---

<b>WEIGHT:</b>	STATOR 0.60 LBS MAX ROTOR 0.50 LBS MAX
----------------	---

<b>COMPLIANCE:</b>	MIL-STD 202F MIL-STD-810C MIL-STD-461B MIL-STD-462
--------------------	---

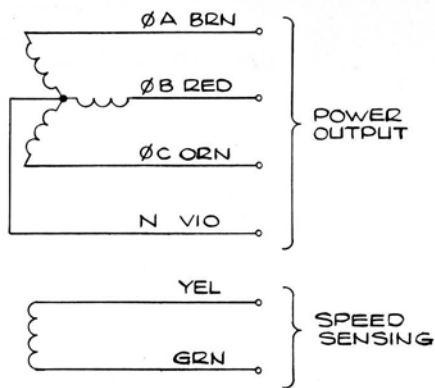
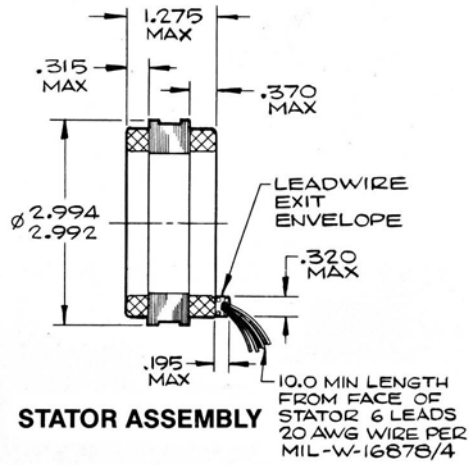
**DESCRIPTION**

Model 5264 comprises a rotor/stator frameless set. It is installed in a fuel pump cavity and provides power to a full-authority digital engine controller (FADEC).

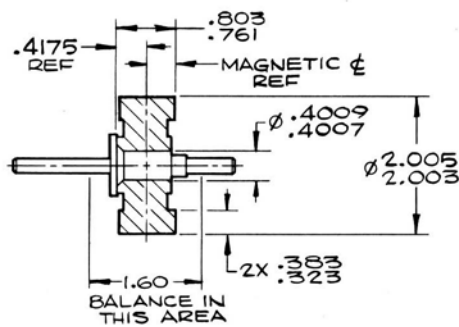
The rotor consists of a rare-earth magnet fashioned into a Lundel-style permanent magnet configuration.

The stator features a stack of laminations hand-wound with the power and speed coils to achieve high power densities.

**OUTLINE DETAILS**



**SCHEMATIC WIRING DIAGRAM**



**ROTOR ASSEMBLY**