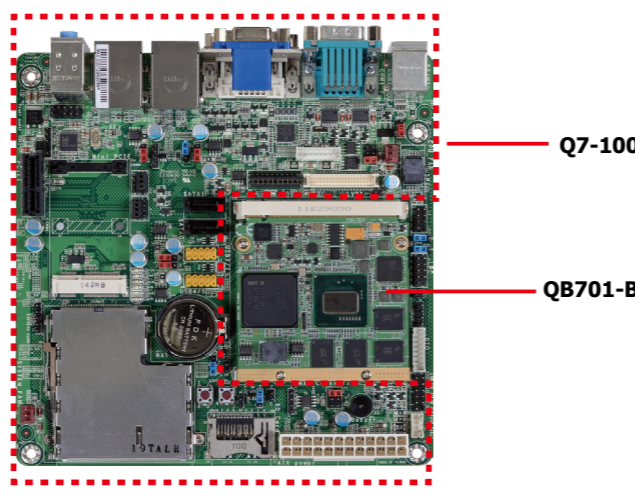


- ### Features
- GRAPHICS: **1 LVDS, 1 VGA, 1 DVI-I**
 - LAN: **2 Gigabit LAN**
 - COM: **2 RS232 COM**
 - USB: **8 USB 2.0**
 - STORAGE: **2 SATA 3.0**
 - EXPANSION: **1 PCIe x1, 1 mini PCIe, 1 CAN-bus**
 - DIO: **1 SD/MMC slot, 1 ExpressCard slot**
 - DIMENSIONS: **8-bit DIO**
 - 170mm x 170mm (6.7" x 6.7")**



Specifications

- #### GRAPHICS FEATURES
- Chrontel CH7317B (SDVO to RGB DAC)
- #### LAN FEATURES
- 2 LAN ports
 - LAN1: Gigabit Ethernet supported by the Qseven module
 - LAN2: Realtek RTL8111DL PCIe Gigabit Ethernet controller
- #### AUDIO FEATURES
- Realtek ALC886 5.1-channel High Definition Audio
 - Audio outputs: Mic-in/Center+Subwoofer, line-in/surround and line out
 - S/PDIF audio interface
- #### STORAGE
- 2 SATA 3.0 ports with data transfer rate up to 6Gb/s
 - 1 SD/MMC slot
- #### I/O CHIP FEATURES
- Winbond 83627DHG-P controller
 - LPC interface
 - Supports system fan
 - Default I/O port address "2Eh"
- #### EXPANSION SLOTS
- 1 PCIe x1 slot
 - 1 Mini PCIe slot
 - 1 ExpressCard slot
- #### REAR PANEL I/O PORTS
- 1 PS/2 Mouse port
 - 1 PS/2 Keyboard port
 - 2 DB-9 RS232 serial ports
 - 1 DB-15 VGA port
 - 1 DVI-I port (DVI-D signal)
 - 2 RJ45 LAN ports
 - 4 USB 2.0/1.1 ports
 - Mic-in/Center+Subwoofer, line-in/surround and line out

- #### I/O CONNECTORS
- 2 connectors for 4 external USB 2.0/1.1 ports
 - 1 LPC connector
 - 1 I²C connector
 - 1 CAN-bus connector
 - 1 LVDS LCD panel connector
 - 18/24-bit single channel
 - 1 LCD/inverter power connector
 - 1 8-bit Digital I/O connector
 - 1 front audio connector for line-out and mic-in jacks
 - 1 S/PDIF connector
 - 2 Serial ATA connectors
 - 1 24-pin ATX power connector
 - 1 chassis intrusion connector
 - 1 front panel connector
 - 2 fan connectors

- #### DAMAGE FREE INTELLIGENCE
- Monitors system temperature and overheat alarm
 - Monitors system fan speed and failure alarm

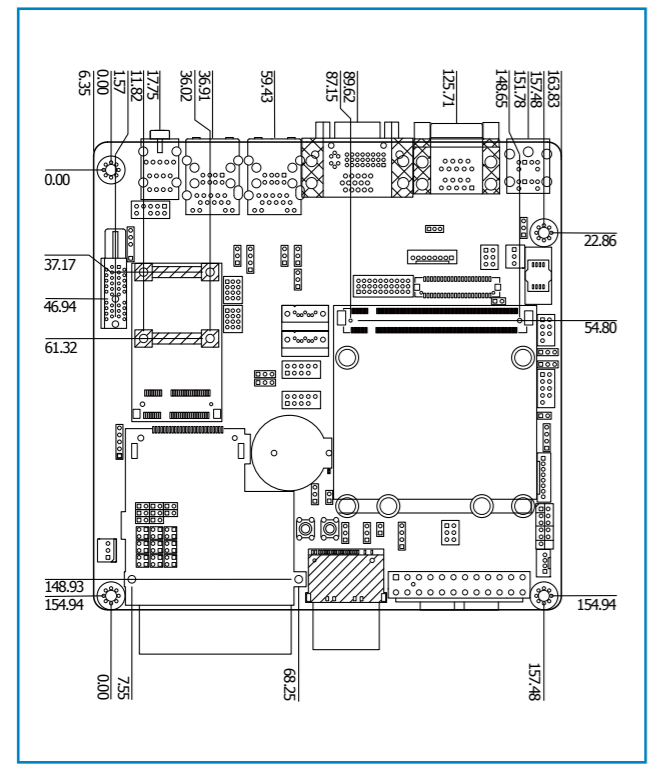
- #### TEMPERATURE
- Operating: 0°C to 60°C
 - Storage: -20°C to 85°C

- #### HUMIDITY
- Operating: 10% to 90%

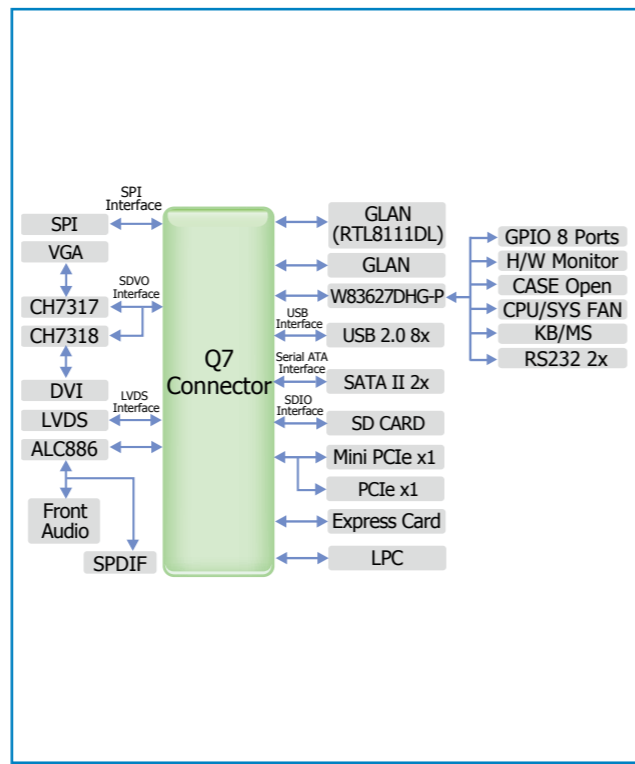
- #### BOARD TO BOARD CONNECTORS
- One MXM connector

- #### Dimensions
- Mini-ITX form factor
 - 170mm (6.7") x 170mm (6.7")

Mechanical Drawing



Block Diagram



Packing List

- 1 Q7-100 board
- 1 Serial ATA cable
- 1 IO Shield
- 1 USB cable
- 1 DVD
- 1 QR (Quick Reference)

Optional Items

- Serial ATA data cable
- USB port cable
- I/O shield
- Serial ATA power cable

www.wd-f-d.com