

d¹

design.

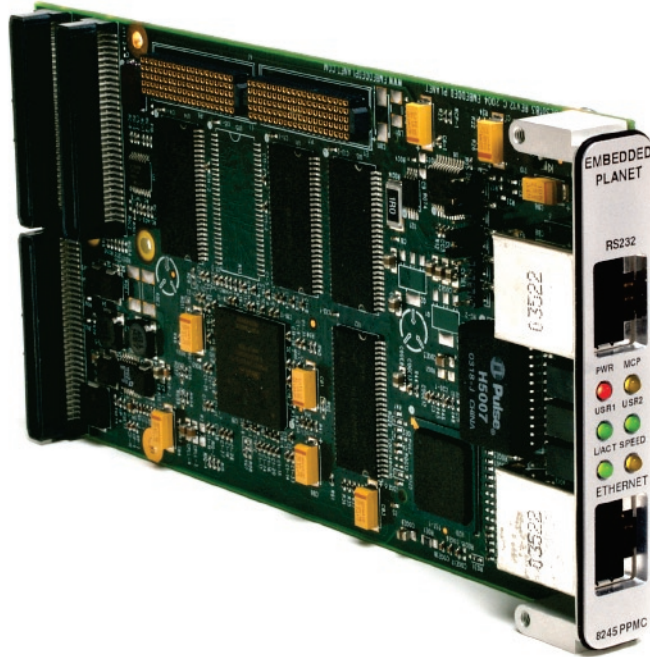
d²

develop.

d³

deploy.

Embedded Planet EP8245M



Features:

- Freescale PowerPC 8245 processor
- Can operate as PPMC or Stand Alone module
- PPMC monarch or non-monarch
- SDRAM 32, 64, 128, 256MB x64 bus
- FLASH 8, 16MB x64 bus
- FLASH 32, 64MB x32 bus
- EP S Bus for direct access to processor signals
- 10/100BaseT Ethernet
- 32-bit, 33/66MHz PCI bus
- mini-PCI Type III Slot
- RS-232 Monitor port
- Debug COP/JTAG
- Serial EEPROM I2C
- Serial temperature I2C
- Serial RTC I2C
- Dipswitch 4-position slide switch
- BCSR Control and Status Registers
- 5 VDC single power supply source (1.5A max)
- Mechanical 149mm x 74mm
- Operating Range 0° C to 70° C, Extended Temperature Range -40° C to 85° C available

Flexible Single Board Computer

The EP8245M PPMC/Stand Alone single board computers take advantage of the Freescale MPC8245 PowerPC processors. By integrating all of the features of the PowerPC into a production ready embedded development system, the EP8245M reduces Time-To-Market and increases product reliability for Communications, Military/Aerospace, Medical, and Industrial applications. The EP8245M single board computers include the EP S bus that provides direct access to MPC8245 processor signals for additional I/O expansion.

Product Options

Single Board Computer includes a cable kit, power supply, and CD with complete documentation. Board Development Kit includes processor bus breakout debug boards, PDF schematics, and support. Design Kits are available with schematic and firmware source. Embedded Planet provides customization and integration services. Production board population options can be configured to match customer requirements.

design.

The next generation of connected devices.

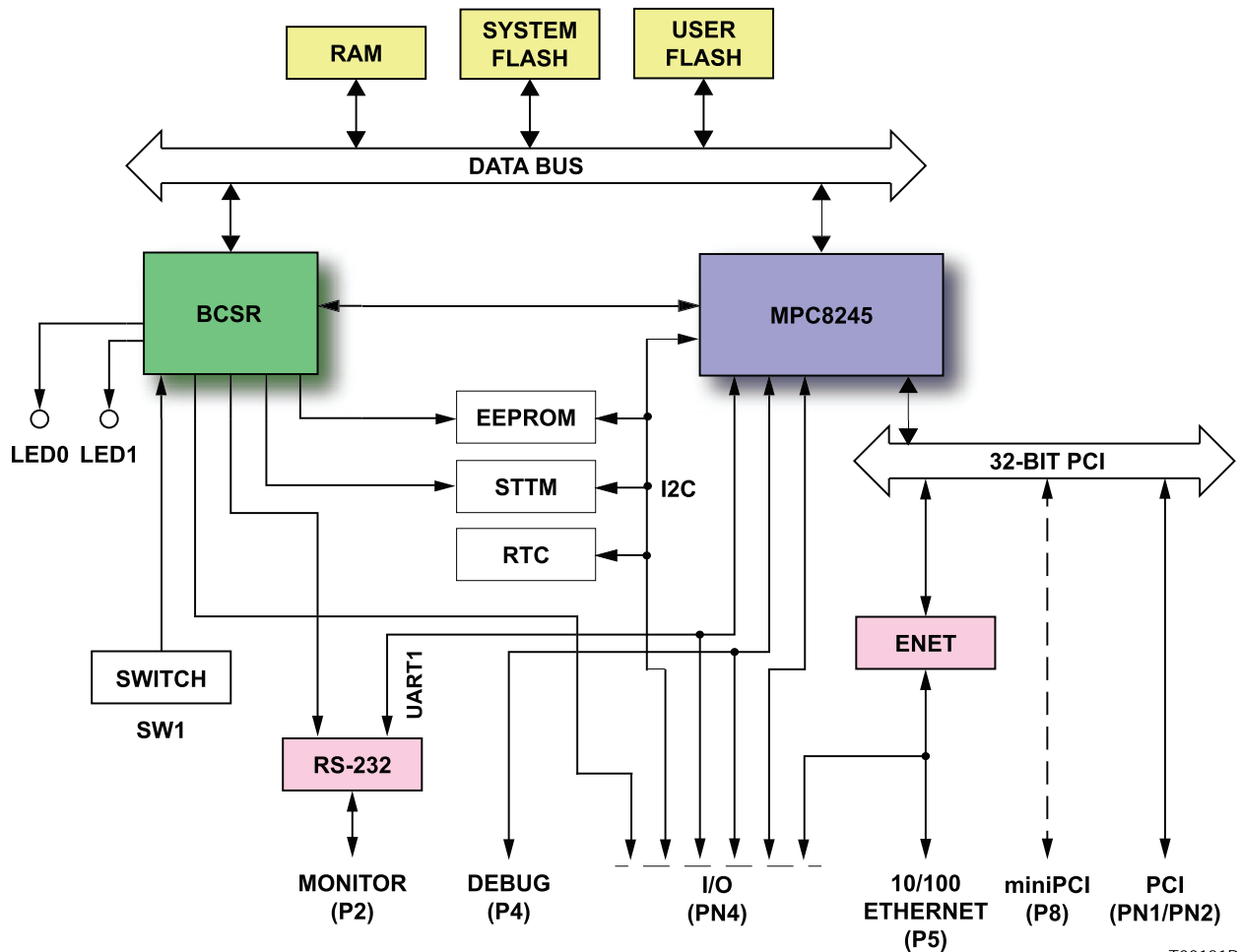
develop.

Your products based on our platform.

deploy.

Your solution faster.

Block Diagram



Software Development Tools

Linux and VxWorks BSPs are available from Embedded Planet. The BSP development CDs come complete with documentation, source code, pre-compiled images, build files and tools.

INTEGRITY BSP is available from Green Hills Software. Other RTOS options are also available.

Embedded Planet PlanetCore firmware is provided with each module and includes a Bootloader, Flash Burner, and Diagnostics. Download and run applications via Ethernet or serial, test board hardware, and burn images to Flash.

Complete line of low level and application level TCP/IP stack and protocols code is available.

This material is the copyright of Embedded Planet 1997-2004. Embedded Planet is a registered Trademark. Other company and product names may be trademarks of their respective owners.

Contact Embedded Planet sales:
www.embeddedplanet.com or
 email info@embeddedplanet.com
 phone (216) 245-4180