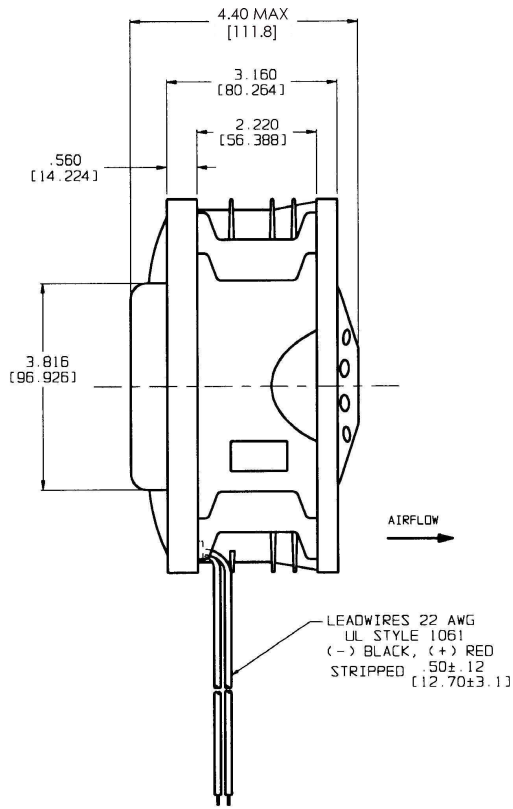
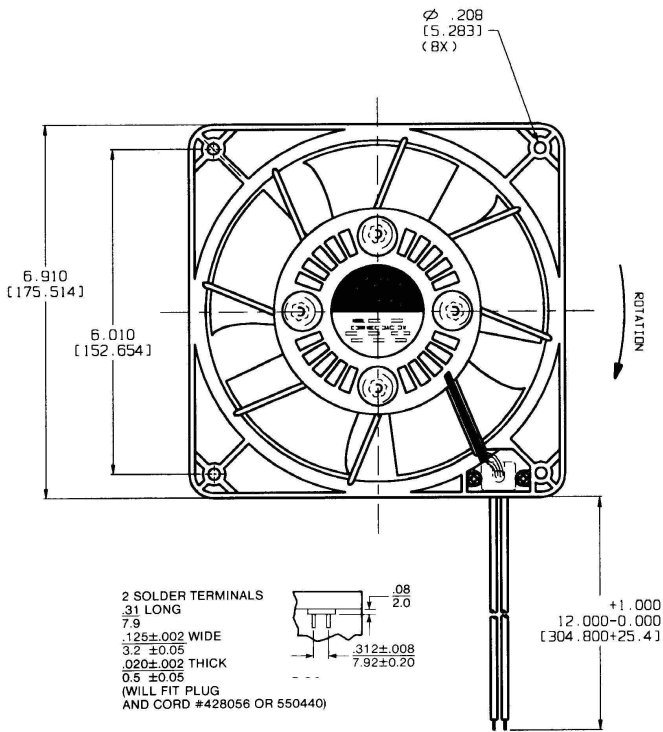
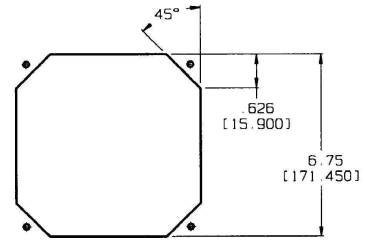
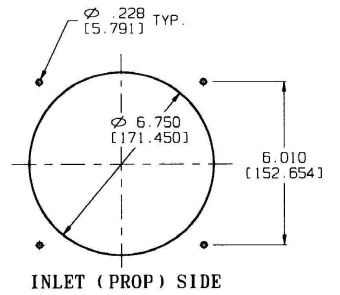


Specifications subject to change without notice



RECOMMENDED CUTOUTS



DIMENSIONS:  $\frac{in}{mm} \pm$   
 TOLERANCES: .XX =  $\frac{.03}{0.8}$   
 .XXX  $\frac{0.10}{.25}$   
 ANGULAR ±5°  
 (UNLESS NOTED)