

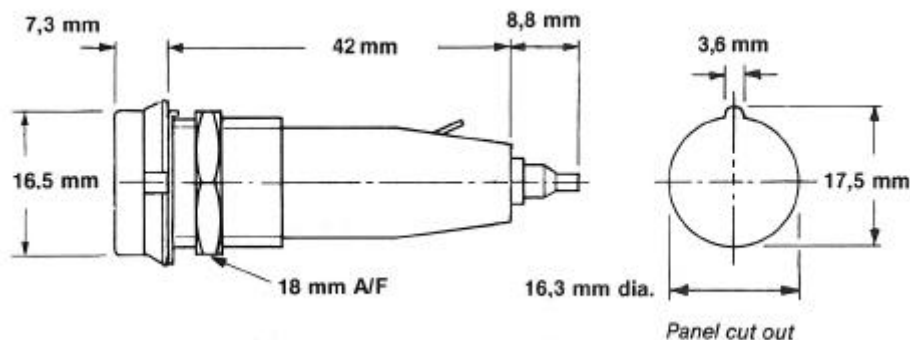
L1348C PANEL FUSEHOLDER



Design facilitates use for size 0 fuse links. This is a robust fuseholder, used extensively in Post Office and H.M. Services equipment. As an added safety feature the head is removable only with the aid of a tool (screwdriver, coin etc.).

| | |
|-------------------------------|---|
| CURRENT RATING: | 7A (temperature rise to $\leq 40^{\circ}\text{C}$) 15A at 55°C maximum ambient temperature |
| TEMPERATURE RANGE: | -25°C to $+100^{\circ}\text{C}$ (ambient) |
| BREAKDOWN VOLTAGE: | $>9\text{kV}$ |
| INSERTION RESISTANCE | <5 milliohms |
| INSULATION RESISTANCE | ≥ 100 megohms |
| PANEL THICKNESS (MAX): | 10mm |
| FIXING TORQUE: | 0.57 Nm |
| HUMIDITY: | H2 (RCS 11) |
| MATERIAL: | Moulding, phenolic |

ORDERING REFERENCE: L1348C



BLP reserve the right to change without prior notice the information contained within this leaflet

BLP Components Ltd., Exning Road, Newmarket, Suffolk, CB8 0AX, England
Tel: +44 (0)1638 665161 Fax: +44 (0)1638 660718 email: blp@roxboro.com <http://www.blpcomp.com>