

SPECIFICATIONS

RoHS Compliant

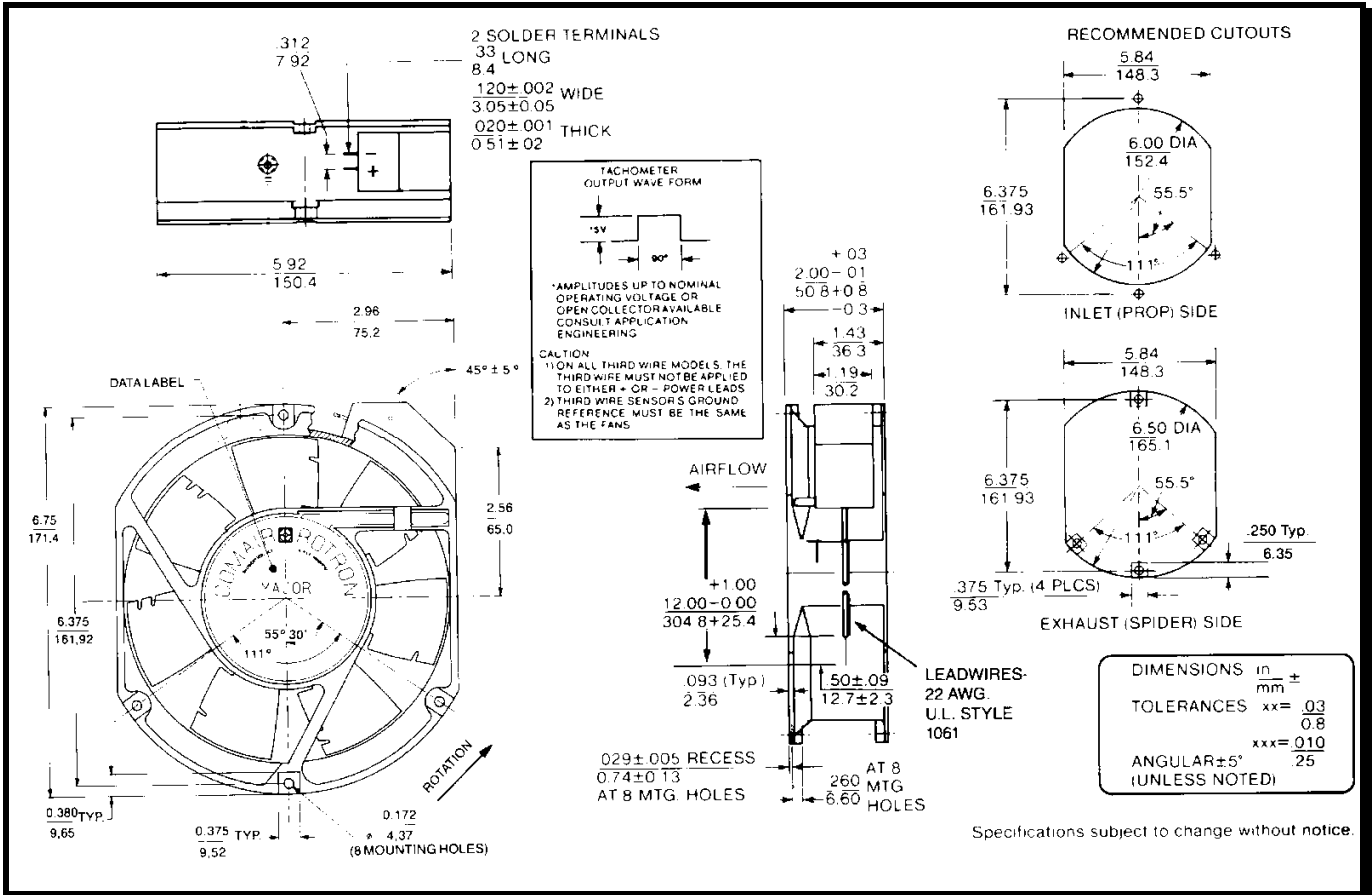


Model Number: JQ48B4

Part Number: 031091 SPEC NUMBER:26013835A00

August 8, 2005

Mechanical Drawing:



Motor:

Nominal Voltage	= 48 vdc
Operating Voltage Range	= 24 - 56 vdc
Nominal Running Current	= 0.460 amps
Locked Rotor Current	= 1.00 amps
Running Power	= 22.0 watts
Average Speed	= 3475 rpm
Bearings	= Ball
Air Flow	= 235 cfm
Acoustic:	= 54.3 dBA

Construction:

Venturi: Die-Cast Aluminum, Black
 Propeller: Plastic, Black, UL 94V-0

Life Expectancy:

This fan is designed for continuous duty life of 75,000 hours at 40°C.

Additional Features:

Brushless DC Motor
 Locked Rotor Protection
 Polarity Protected
 Automatic Restart Capability
 Operating Temperature: -10°C to 70°C
 Storage Temperature: -40°C to 85°C

Termination:

2 blade terminals

Agency Approvals:

UL, CE, cUL