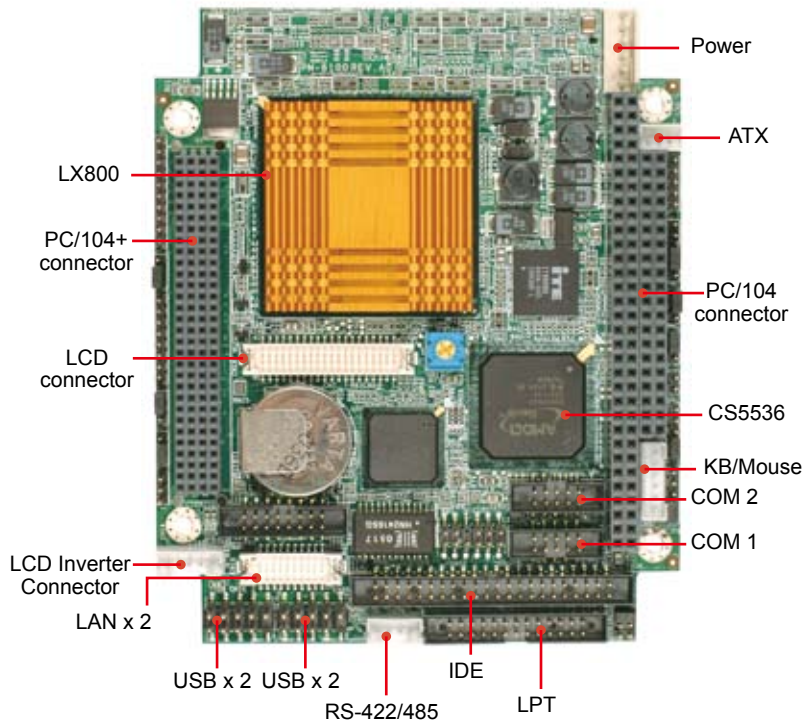


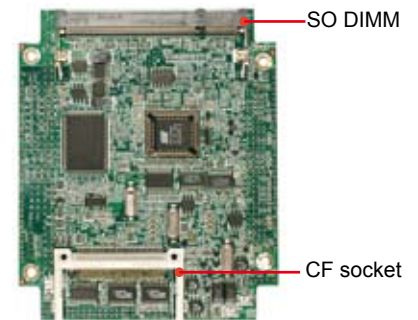
PM-6100

AMD® Geode™ LX800 PC/104+ Module with CRT, LAN, Audio & SSD



Features:

- Low power consumption : max.12W
- Embedded AMD® Geode™ LX800 CPU up to 500MHz
- One DDR SO-DIMM up to 1GB memory
- Dual 10/100Mbps PCI bus Ethernet
- Supports CRT, 18/24-bit TFT interface
- Two serial ports, four USB 2.0 ports
- One Ultra ATA-66 interface & one CompactFlash™ type I/II socket
- AC 97 audio (optional)



System

CPU	AMD® Geode™ LX800, 500MHz
BIOS	Award® 512KB Flash BIOS
System Chipset	AMD® Geode™ CS5536
System Memory	1 x 200-pin DDR socket supports DDR 333/400 max. up to 1GB w/o ECC registered
Power Management	APM 1.1, ACPI supported
SSD	50-pin CompactFlash™ type I/II
Watchdog Timer	255 levels timer interval, (1 ~ 255 seconds), setup by software. Jumper set up for system reset or IRQ
Expansion Interface	PC/104+ for both PCI & ISA signal
Battery	Lithium 3V/200mAh

Mechanical and Environment

Dimension (L x W)	96mm (L) x 116mm (W) (3.8" L x 4.6" W)
Operating Temperature	0°C ~ 60°C (32°F ~ 140°F)
Operating Humidity	10% ~ 95 relative humidity, non-condensing

I/O

I/O Chipset	Winbond® 83627HG
I/O Interface	1 x EIDE (Ultra ATA-66), 1 x PS/2 KB/Mouse, 1 x RS-232, 1 x RS-232/422/485, 1 x LPT, 1 x IrDA
USB	4 x USB ports, USB 2.0 compliant
Audio (optional)	Support AC97 audio stereo sound (Min in & Speaker out)
GPIO	8-bit general purpose input/output

Power

Power Supply Voltage	AT or ATX power, +5V ± 5%, +12V ± 5%
Power Consumption	LX-800@256MB DDR400 Max (XP, Prime95): 9.9W,+5V@0.9A, +12V@0.45A

Ethernet

Chipset	Intel® 82551ER
Speed	10/100Mbps
Interface	2 x RJ-45
Standard	IEEE 802.3u (100Base-T) protocol compatible

Packing List

- 1 x PM-6100 SBC
- 1 x CD (Manual, Quick installation guide, Utility driver)
- 1 x RJ-45 LAN connector card for Intel (p/n: R-051)
- 1 x LAN cable (p/n: 46L-ILAN04-00)
- 1 x IDE cable (p/n: 46L-IPCIDC-00)
- 1 x VGA cable (p/n: 46L-IVGA04-00)
- 1 x ATX power cable (p/n: 46L-IPOW37-00)
- 1 x 6+6 KB/MS cable (p/n: 46L-IPS266-00)
- 1 x USB cable (p/n: 46L-IUSB01-00)
- 1 x COM port cable (p/n: 46L-ICOM01-00)

Display

Chipset	AMD® Geode™ LX800
Memory Size	2 ~ 254MB frame buffer sharing system memory
Resolution	CRT mode: 1920 x 1440 x 32bpp at 85Hz, 1600 x 1200 x 32bpp at 100Hz LCD/ Simultaneous mode: 1024 x 768 x 16bpp at 60Hz
LCD/ LVDS Interface	18/24-bit TFT LCD
Dual Simultaneous Display	VGA + LCD

Ordering Information

Standard	
PM-6100A-050	PC/104+ module with AMD® Geode™ LX 800, CRT, LAN, Audio & SSD
PM-6100B-050	PC/104+ module with AMD® Geode™ LX 800, CRT, LAN, Audio & SSD (long pin)
Optional	
AW-R031	Audio kit with Mic. in & Speak out
AW-R051A	Dual LAN connectors adaptor card
46L-ILPT01-00	Printer cable (2mm) 26cm/ RoHS
46L-ICOM15-00	RS-485 cable (2mm) 8cm/ RoHS

* Note : All specifications are subject to change without prior notice