



Maintenance-Free Rechargeable Sealed Lead-Acid Battery



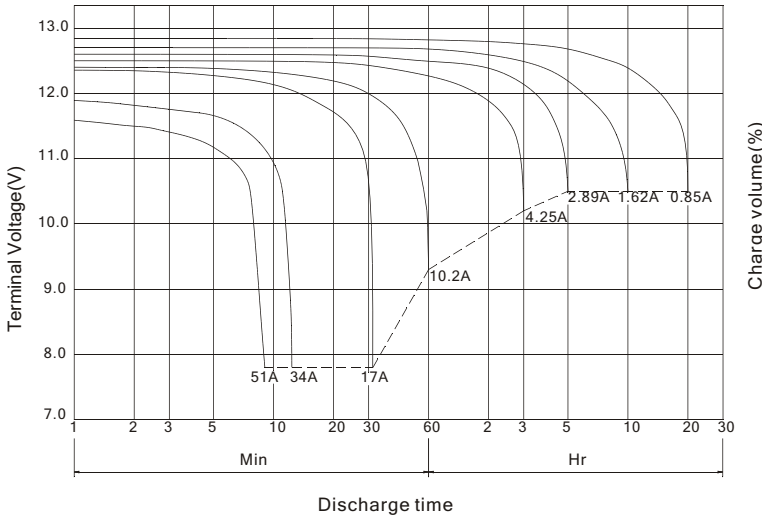
BPL17-12

The battery is constructed by plates, separators, safety valves and container. Since the electrolyte is held by a glass-mat separator and plates, the battery can use in any direction and position without leakage.

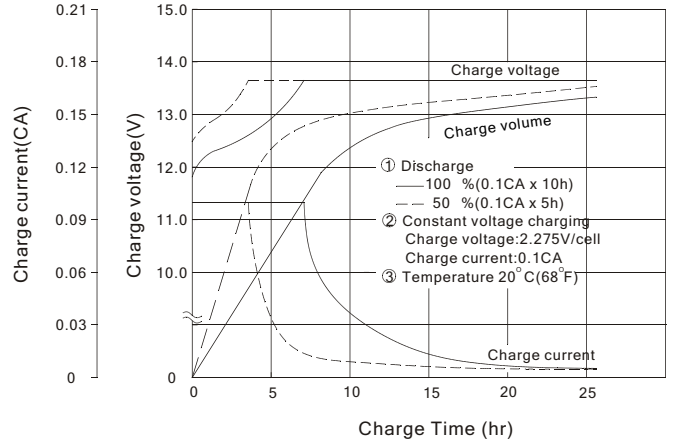
PERFORMANCE SPECIFICATIONS

Nominal Voltage(V).....	12 volts(6cells in series)
Nominal Capacity(AH)	
20 Hour rate F.V.(1.75V/cell) (850mA to 10.50volts).....	17.0A.H.
10 Hour rate F.V.(1.75V/cell) (1615mA to 10.50volts)	16.15A.H.
5 Hour rate F.V.(1.75V/cell) (2890mA to 10.50volts)	14.45A.H.
30 Min rate F.V.(1.30V/cell) (17000mA to 7.80volts).....	8.50A.H.
Approximate Weight.....	6150g(13.56lbs.)
Terminal	
Standard.....	Type B1
Optional.....	Type T2.I1
Internal Resistance (Fully Charged Battery).....	<16m Ω
Maximum Discharge Current For 5 sec.(A).....	255A
Maximum Charge Current(A).....	5.1A
Ambient Temperature	
Charge.....	0°C(32°F)~40°C(104°F)
Discharge.....	-20°C(-4°F)~50°C(122°F)
Storage.....	-20°C(-4°F)~40°C(104°F)
Vibration test:	
Frequency: 16.7HZ	
Amplitude: 4mm	
Vibrate the battery horizontally or vertically for 60 minutes. The battery have no abnormality.	
Design Life: 10 years for standby use at 20°C	
Case.....	ABS
Dimension(mm/inch)	
Length ±1.5mm.....	181/7.13
Width ±1.5mm.....	76/2.99
Container Height ±1.5mm.....	166/6.54
Total Height ±1.5mm.....	166/6.54
Application.....	Fishing Lights, Emergency Lights, Lawn Mowers, Video Camcorders(VCR).

BPL17-12 Battery discharge characteristics (25°C/77°F)



BATTERY CHARGING CHARACTERISTICS (Typical example of charge characteristic for the standby use)



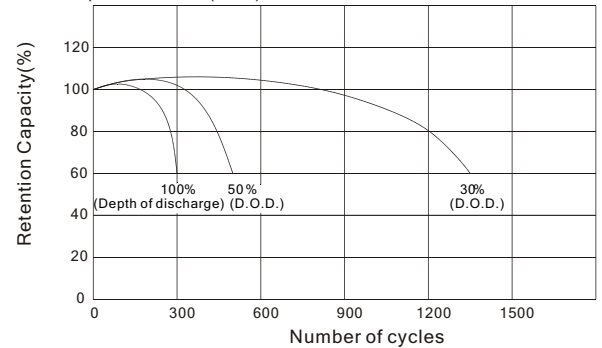
Charging Procedure

Application	Charging method	Charging Voltage at 20°C (V/cell)	Temperature compensation coefficient of charging voltage (mV/°C/cell)	Max. charging current (CA)	Charging time 0.1CA, 20°C (h)		Temp (°C)
					100% discharge	50% discharge	
For standby power source	Constant voltage & Constant current charging	2.25~2.30	-3	0.3	24	20	0~40 (32~104°F)
For cycle service	(with current restriction)	2.40~2.50	-4	0.3	16	10	

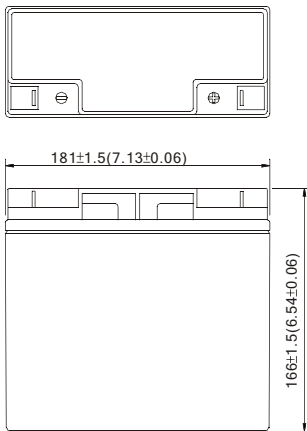
*Temperature compensation of charging voltage is not needed, when using the batteries within 5°C to 35°C range.

Battery Life Characteristics of Cyclic Use

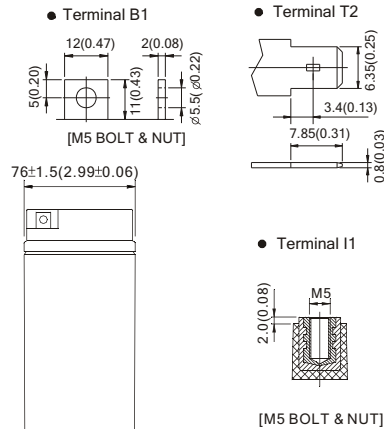
Testing Conditions : Discharge Current : 0.25C Amp (F.V. 1.7V/cell)
 Charging Current : 0.1C Amp
 Charging Volume : 120% OF Discharge Capacity
 Ambient Temperature : 20°C (68°F)



OUTER DIMENSIONS mm(inch)



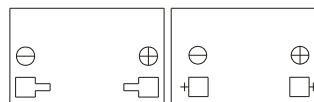
TERMINAL TYPE mm(inch)



Constant power discharge characteristics at 25°C/77°F

Final Voltage	Discharge time								
	5Min	10Min	15Min	30Min	1Hr	3Hr	5Hr	10Hr	20Hr
10.80V	554	416.3	337.1	202.8	117.5	49.5	34.2	19.09	9.98
10.50V	641	451.0	352.9	210.6	120.9	50.5	34.7	19.38	10.20
10.20V	680	467.3	363.6	215.2	123.1	51.0	35.0	19.48	10.25
9.90V	712	478.4	372.1	218.3	124.8	51.5	35.2	19.53	10.27
9.60V	733	487.9	379.3	220.5	126.0	51.7	35.2	19.53	10.27

TERMINAL POSITION



B.B. BATTERY CO., LTD.

Web Site: <http://www.bb-battery.com>

USA:
 B&B BATTERY(USA) INC.
 6415 RANDOLPH ST.COMMERCE,
 CA,90040 U.S.A.
 TEL:1-323-278-1900.1-800-278-8599
 FAX:1-323-278-1268
 E-Mail:sales@bb-battery.com

EUROPE:
 B&B BATTERY(EUROPE) B.V.
 3 WIJNGAARDVELD, 9300 AALST,BELGIUM
 TEL:(00)32-53781567
 FAX:(00)32-53781567
 E-Mail:hansdevriese@bb-battery.com

CHINA FACTORY:
 B.B. BATTERY CO., LTD.
 CHENG DONG TRIAL AREA,HUANG GANG,
 RAOPING, GUANG DONG,CHINA,515700
 TEL:86-768-7601001-2
 FAX:86-768-7601469
 E-Mail:maggy@bb-battery.com

HONG KONG:
 NATIONAL TRADING LTD.
 TEL:852-2301-3800
 FAX:852-2739-1182
 E-Mail:bbhk@hkstar.com

JAPAN:
 B&B BATTERY(JAPAN) CO., LTD.
 1375-11 NARAHARA-MACHI,HACHIOJI,
 TOKYO 193-0803,JAPAN.
 TEL:81-426-256-537
 FAX:81-426-256-537
 E-Mail:miyata@bb-battery.com

TAIWAN:
 B.B. BATTERY(TAIWAN) CO., LTD.
 TEL:886-6-502-5150
 FAX:886-6-589-8087
 E-Mail:maggy@bb-battery.com

