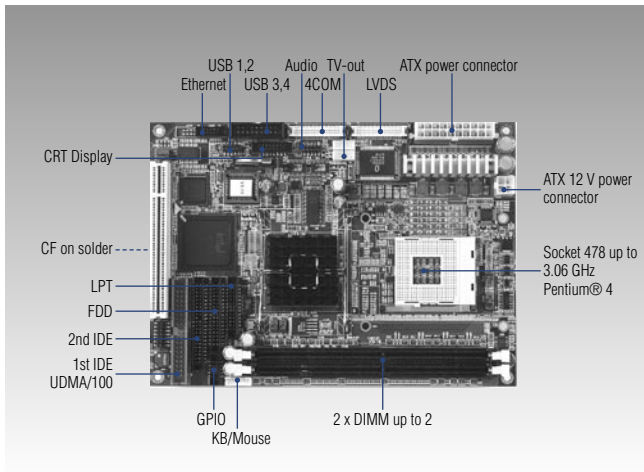


PCM-9580

Socket 478 Intel® Pentium® 4 SBC
w/Gigabit LAN, USB 2.0, VGA/LVDS and 4 COM



Specifications

General

- **CPU** Socket 478 for Intel Celeron/Pentium 4 (up to Pentium 3.06 GHz)
- **2nd Cache Memory** Depend on CPU type from 256 to 512 KB
- **System Chipset** Intel 845GV (845GV GMCH+ 82801 ICH4) 400/533 MHz FSB
- **BIOS** AWARD® 512 kbit Flash BIOS
- **System Memory** Two 184-pin DIMM sockets, support Non-ECC Double Data Rate (DDR) 128 MB to 2 GB, accepts 128/256/512/1024 MB DDR200/266/333 DRAM
- **Power Management** APM1.2, ACPI Support
- **SSD** CompactFlash® card Type I/II
- **WatchDog Timer** 255 level timer intervals by second or minute
- **Expansion Interface** 1 PCI 2.2 with 32-bit/33 MHz slot
- **Battery** Lithium 3 V/196 mA

I/O

- **I/O Interface** 2 x EIDE (Ultra DMA100), 1 x FDD, 1 x K/B, 1 x Mouse, 3 x RS232, 1 x RS-232/422/485, 1 x LPT
- **USB** 4 x USB 1.1/2.0 host ports, support for embedded USB Type I Flash memory, shared with USB port 3 and port 4
- **Audio** ICH4 support AC'97 2.0 compliant, Optional PCM-231A support Line-in, Line-out, MIC CD Audio in, Line out, Speaker out
- **IrDA** N/A
- **GPIO** 4-bit Input/4-bit Output

Ethernet

- **Chipset** Intel 82551ER [Intel 82551QM optional] (PCM-9580F)
Intel® 82540EM (PCM-9580FG)
- **Speed** 10/100 Mbps (PCM-9580F),
10/100/1000 Mbps (PCM-9580FG)
- **Interface** 1 x RJ45 by cable
- **Standard** IEEE 802.3u 100BASE-T Fast Ethernet compatible (PCM-9580F)
IEEE 802.3z/ab 1000 BASE-T Gigabit Ethernet compatible (PCM-9580FG)

Features

- Socket 478 up to 3.06 GHz Intel® Pentium® 4 (0 ~ 60° C)
- 400/533 MHz FSB
- Supports Gigabit Ethernet (PCM-9580FG)
- Supports Embedded USB, 4 USB 2.0 ports
- Supports 2-channel 48-bit LVDS interface
- Optional Audio Interface

Display

- **Chipset** Intel 845GV + Chrontel CH7017
- **Memory Size** 8 MB up to 64 MB frame buffer using system memory
- **Resolution** CRT Mode:
Max. 1600 x 1200 x 32 bpp at 85 Hz
- **LCD Interface** 2-Channel (48-bit) LVDS interface
- **TV-Out (Optional)** Supports both NTSC/PAL, S-video or Composite Video, optional by cable
- **Dual Independent Display** N/A

Mechanical and Environmental

- **Dimension (L x W)** 203 x 146 mm (8" x 5.75")
- **Weight** 0.85 kg (weight of total package)
- **Operating Temperature** 0 ~ 60° C (32 ~ 140° F) for Pentium 4 up to 3.06 GHz
- **Operating Humidity** 0% ~ 90% Relative Humidity, noncondensing

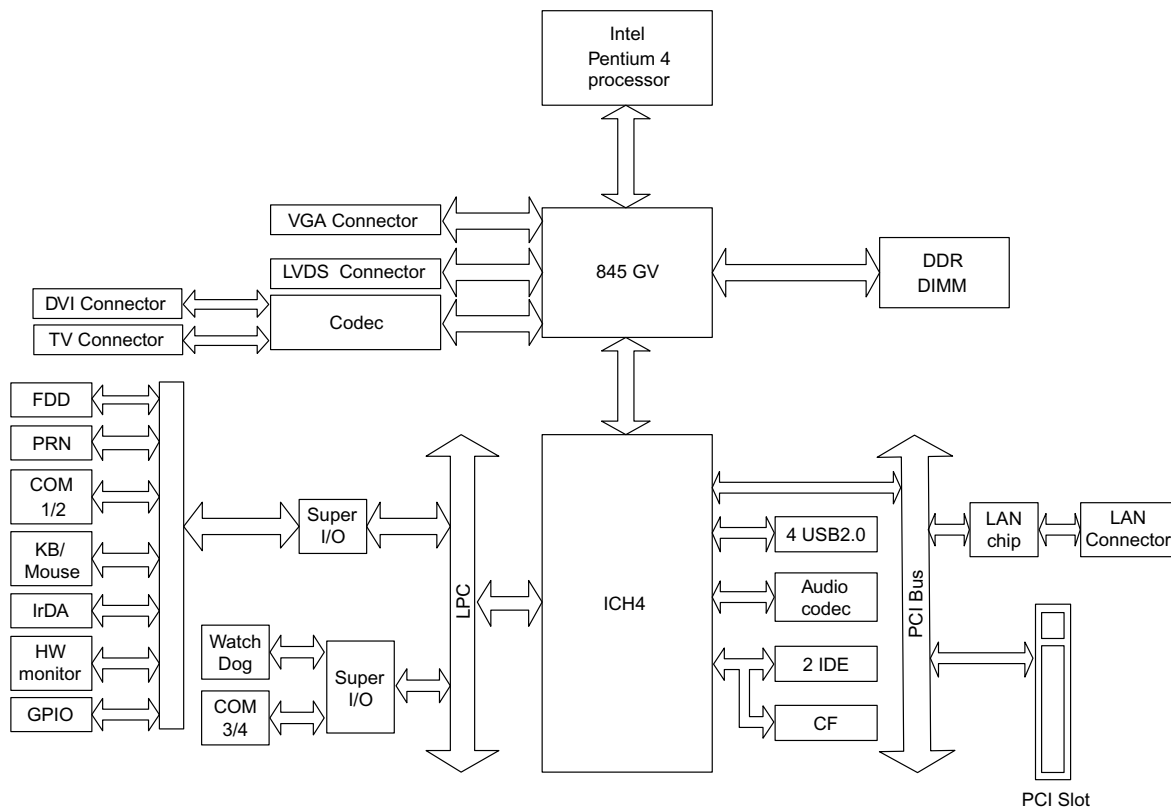
Power

- **Power Supply Voltage** +5 V ±5%, +12 V ±5%, +3.3 V ±5%
- **Power Consumption** Typical : +12 V_CPU @ 1.95 A, +5 V @ 0.37 A, +3.3 V @ 3.2 A, +12 V @ 0.1 A
Max: +12 V_CPU @ 6.15 A, +5 V @ 0.41 A, +3.3 V @ 3.46 A, +12 V @ 0 A. (In HCT)
+12 V_CPU @ 5.62 A, +5 V @ 0.41 A, +3.3 V @ 4.28 A, +12 V @ 0.11 A (QAPLus)
(With 1 GB DDR DRAM, Pentium 4 3.06 GHz)

Packing List

- 1 x PCM-9580 SBC
- 1 x Mini Jumper Pack [conts.: 10 pcs] (p/n: 9689000002)
- 1 x Startup Manual
- 1 x Utility CD

Board Diagram



Ordering Information

Part No.	CPU	L2 Cache	CRT	LVDS	TV out	10/100	Giga LAN	Audio	USB2.0	RS-232	RS/232/422/485	LPT/FDD/KB/MS	CF	PCI Slot	Operation Temp.
PCM-9580F-00A1E	Socket 478	--	Yes	48 bit	Yes	1	--	Yes	6	3	1	Yes	Yes	1	0 ~ 60° C
PCM-9580FG-00A1E	Socket 478	--	Yes	48 bit	Yes	1	--	Yes	6	3	1	Yes	Yes	1	0 ~ 60° C

Optional Accessories

- **PCM-10586-6000** Wiring Kit for PCM-9580F
- **PCM-10586-6G00** Wiring Kit for PCM-9580FG (Gigabit LAN)
- **PCM-231A-00A1** Audio out module
- **1703100121** USB cable 12 cm for MBPC-300 chassis
- **1700180170** USB cable 17 cm 2CH
- **1759214200** Pentium 4 CPU cooler with fan for 1U chassis