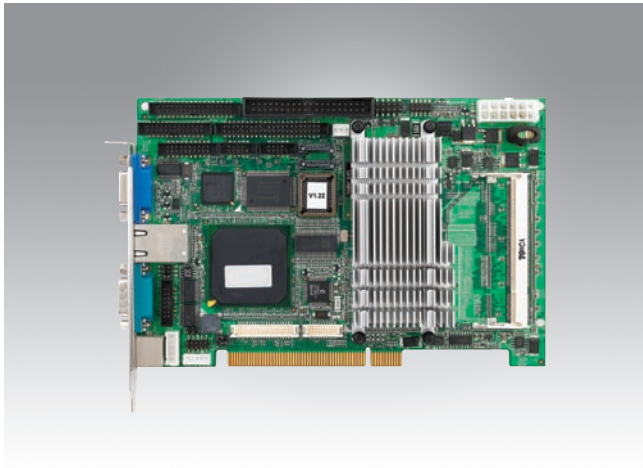


# PCI-6886-A2

Intel® Pentium® M/Celeron® M  
PCI Half-size SBC with VGA/  
LVDS/USB 2.0/SATA and SSD



## Features

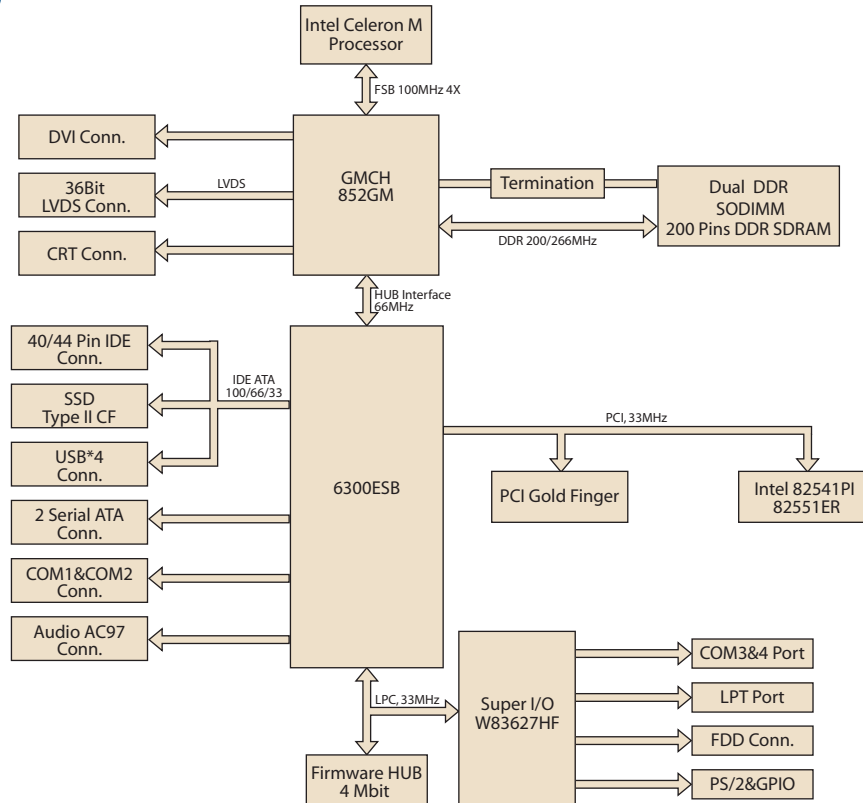
- Supports Intel Pentium M/Celeron M Processor
- Supports 200 MHz, 266 MHz DDR SDRAM
- Supports up to dual Channel 36-bit LVDS for LCD
- Supports two SATA ports



## Specifications

Processor System	CPU	Intel Pentium M/ Celeron M (Socket)	Intel Celeron M (Onboard CPU)	Intel Celeron M (On board CPU)
	Max. Speed	2.1 GHz & above (400FSB)	600 MHz	1.0 GHz
	L2 Cache	1 M/ 2 M	512 KB	0 KB
	Chipset	Intel 852GM/GMCH + 6300ESB		
	BIOS	AWARD 4 Mbit FWH		
Bus	Front Side Bus	400 MHz		
	PCI	32-bit/33 MHz		
Memory	Technology	DDR 200/266 MHz SDRAM SODIMM		
	Socket	200-pin SODIMM x 2 Max to 2GB		
Graphics	Controller	Chipset integrated VGA controller VGA mode: 1600 x 1200 @ 32 bpp (85 MHz) LVDS display mode: up to UXGA panel resolution with frequency range from 25 MHz to 113 MHz		
	VRAM	Dynamically shared system memory up to 64 MB		
	LVDS	Dual-channel 36-bit LVDS		
	DVI	Chipset Chronitel CH7009 up to 165 MHz, supporting UXGA resolution displays (PCI-6886F-00A1E w/o DVI)		
	Dual Display	CRT + LVDS CRT + DVI, LVDS + DVI (only operates under Windows)		
Ethernet	Interface	10/100/1000 Mbps		
	Controller	Intel 82541PI (GbE); Intel 82551QM (FE)		
	Connector	RJ-45 x 1		
EIDE	Mode	ATA 100/66/33		
	Channel	2 (Max. 4 devices)		
SATA (150 MB/s)	Ports	2		
I/O Interface	USB	Max. 4 (USB 2 compliant)		
	Serial	3 (RS-232)/1 (RS-232/RS-422/RS-485)		
	Parallel	1		
	FDD	1		
	PS/2	1 (for mouse and keyboard, Y-cable included)		
Watchdog Timer	Output	Interrupt, system reset		
	Interval	Programmable, 1-255 sec.		
Miscellaneous	Audio Output	AC97 Audio interface (requires an audio extension module P/N: PCM-231A-00A1E)		
	Solid State Disk	CompactFlash socket (Type I/II), shared with secondary IDE		
Power Requirement	Max	Celeron M 600 MHz 512 KB L2, SDRAM SODIMM +12 V (0.32 A) +5 V (2.42 A)		
	Temperature	Operating	Non-Operating (Storage)	
Environment		0 ~ 60° C (32 ~ 140° F)		-40° C ~ 85° C and 60° C @ 95% RH Non-Condensing
		(operation humidity: 40° C @ 85% RH Non-Condensing)		
Physical	Dimensions	185 mm (L) x 122 mm (W) (7.3" x 4.8")		

## Board Diagram



## Ordering Information

Part Number	CPU	FE LAN	GbE	DVI
PCI-6886F-00A2E	Socket	Intel 82551QM	-	-
PCI-6886F-M0A2E	Celeron M 600 MHz	82551QM	-	x 1
PCI-6886F-S0A2E	Celeron M 1.0 GHz	82551QM	-	x 1
PCI-6886FG-M0A2E	Celeron M 600 MHz	-	Intel 82541PI	x 1

## Bracket View



PCI-6886F-M0A1E  
 PCI-6886F-S0A1E  
 PCI-6886FG-M0A1E

## Packing List

Part Number	Description	Quantity
1700060202	Y-cable for PS/2 Keyboard, PS/2 Mouse	x 1
1701400452	E-IDE (HDD) cable	x 1
1700003194	Serial SATA HDD data cable	x 1
1703150102	Serial SATA HDD power cable	x 1
1700000265	Power cable	x 1
1700002343	ATX feature cable	x 1
1700008954	Print (2.0mm)/COM Port W/BKT	x 1
1701340603	FDD cable	x 1
9689000002	Jumper pack	x 1
-	Startup manual	x 1
-	Utility CD	x 1

## Accessories

Part Number	Description
1703100260	2 port USB cable (2.0 mm pitch) with bracket
PCM-231A-00A1E	Audio module with Line-in, Line-out, Mic
1700008762	COM3 & 4 cable with bracket (2.0 mm pitch)