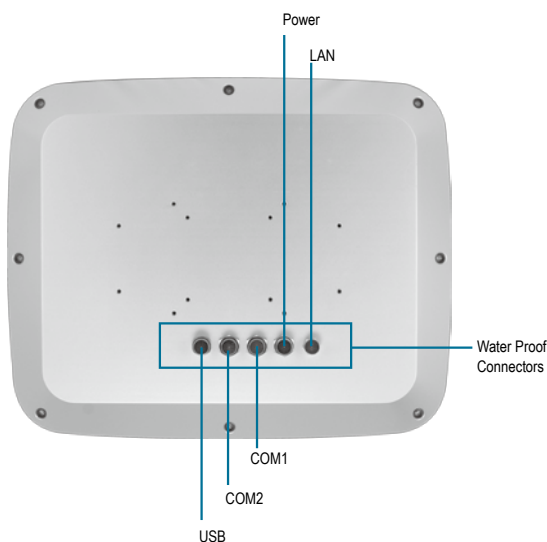


new

Features

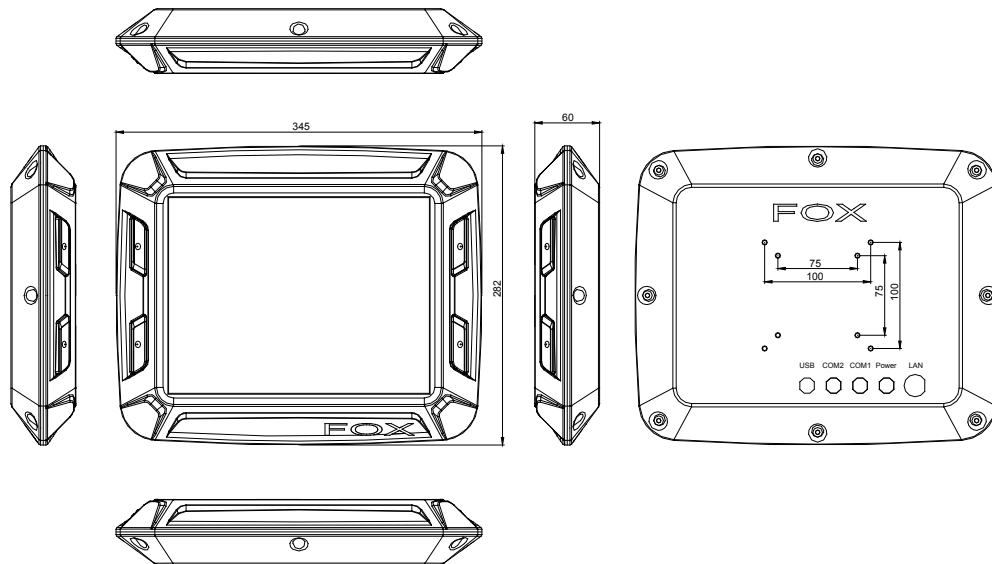
- Onboard Intel® Celeron® Low Power Processor
- 12.1" SVGA color TFT LCD Display
- Water-proof Sealing: IP-65 Rating
- Sun-light Readable Display with Low Reflection Touch Panel
- Windows®2000, XP Pro, XP Embedded Support
- Day and Night Mode Display For Power Saving
- Wide Operating Temperature Range
- Ideal for Vehicle Application



Specifications

System	
Processor	Intel® Celeron® M 1.5G/ 600M Hz
System Memory	Onboard 256/ 512MB (Up to 1G)
Storage Memory	Hard Disk Drive Bay/ CFD (Internal slot)
LCD/CRT Controller	Intel® 852GM + Chronitel7009
Ethernet	Intel® 82562, 10/100Base-TX, Water-proof RJ-45 connector x 1 (optional)
Expansion Slot	Mini PCI x 1 (Internal)
Water Proof I/O Port	RS-232 (DB-9) x 1, RS-232/422/485 x 1, USB 2.0 port x 2 Audio (Line-out) (optional)
Solid Storage Disk	2.5" Hard Disk Drive bay (Anti-vibration)/ CFD (Internal)
OS Support	Windows® 2000, Windows® XP, Windows® XP Embedded
Mechanical	
Construction	Sealed enclosure
Color	Silver Gray
Mounting	VESA 75/100mm, Vehicle mounting
Dimension	13.58" x 11.1" x 2.36" (345 mm x 282 mm x 60 mm)
Net Weight	9.9 lb (4.5kg)
Gross Weight	12.1 lb (5.5kg)
Environmental	
Operating Temperature	-4°F ~ 131°F (-20°C ~ 55°C) with W/T Hard Disk Drive -4°F ~ 140°F (-20°C ~ 60°C) with W/T CompactFlash™ Drive
Storage Temperature	-22°F ~ 158°F (-30°C ~ 70°C)
Storage Humidity	10 ~90%@35°C, non-condensing
Vibration	3G Random Operation, 5~500Hz
Shock	15G peak acceleration (11m sec. duration) / operation
Safety	IP-65 Certified
EMC	CE/FCC Class A
Power Supply	
DC-DC Input, 90W	Input Range: 9V~30VDC
LCD	
Display Type	12.1" TFT- LCD
Max. Resolution	800 x 600
Max. Color	262K colors
Dot Size	0.3075mm x 0.3075mm
Luminance (Typical)	450 cd/m²
View Angle	140°(H)/110°(V)
Back Light MTBF (Hours)	50,000

Dimension Unit: mm



Touchscreen	
Type	8-wire, Analog Resistive, Low Reflection (FOX-120STT) 5-wire, Analog Resistive (FOX-120HTT)
Resolution	2048 x 2048
Light Transmission	> 74% (8-wire analog resistive) > 80% (5-wire analog resistive)
Lifetime	1 million activations (8-wire analog resistive) 35 million activations (5-wire analog resistive)

Ordering Information

- **TF-FOX-120ST-A1-1110**
Intel® Celeron® M 1.5G MPWP Panel PC with 12" LCD, 512MB RAM, Ethernet 10/100Base-TX
- **TF-FOX-120ST-A2-1110**
Intel® Celeron® M 600MHz MPWP Panel PC with 12" LCD, 256MB RAM, Ethernet10/100Base-TX
- **TF-FOX-120ST-B1-1110**
Intel® Celeron® M 1.5G MPWP Panel PC with 12" LCD, 512MB RAM, Audio I/O
- **TF-FOX-120ST-B2-1110**
Intel® Celeron® M 600MHz MPWP Panel PC with 12" LCD, 256MB RAM, Audio I/O
- **TF-FOX-120HTT-A1-1110**
Intel® Celeron® M 1.5G MPWP Panel PC with 12" LCD, 512MB RAM, Ethernet10/100Base-TX, Touch Screen
- **TF-FOX-120HTT-A2-1110**
Intel® Celeron® M 600MHz MPWP Panel PC with 12" LCD, 256MB RAM, Ethernet10/100Base-TX, Touch Screen
- **TF-FOX-120HTT-B1-1110**
Intel® Celeron® M 1.5G MPWP Panel PC with 12" LCD, 512MB RAM, Audio I/O, Touch Screen
- **TF-FOX-120HTT-B2-1110**
Intel® Celeron® M 600MHz MPWP Panel PC with 12" LCD, 256MB RAM, Audio I/O, Touch Screen
- **TF-FOX-120STT-A1-1110**
Intel® Celeron® M 1.5G MPWP Panel PC with 12" LCD, 512MB RAM, Ethernet 10/100Base-TX, L/R Touch Screen
- **TF-FOX-120STT-A2-1110**
Intel® Celeron® M 600MHz MPWP Panel PC with 12" LCD, 256MB RAM, Ethernet 10/100Base-TX, L/R Touch Screen
- **TF-FOX-120STT-B1-1110**
Intel® Celeron® M 1.5G MPWP Panel PC with 12" LCD, 512MB RAM, Audio I/O, L/R Touch Screen
- **TF-FOX-120STT-B2-1110**
Intel® Celeron® M 600MHz MPWP Panel PC with 12" LCD, 256MB RAM, Audio I/O, L/R Touch Screen

Optional Accessories

- **9761F15000**
Wireless LAN kits with Internal Antenna
- **1700090208**
COM (D-SUB) Cable with Waterproof M12 Connector
- **1709080251**
Two USB Y Cables with Waterproof M12 Connector (25cm)
- **ARM-WK075-0**
Wallmount Kit
- **1702031802**
Power Cord (US type)
- **1702031803**
Power Cord (European type)
- **170203180E**
Power Cord (Japanese type)
- **9783204006**
2.5" 40GB Automotive Hard Disk Drive
- **968C204853**
2GB W/T CompactFlash™ Drive
- **968C40963B**
4GB W/T CompactFlash™ Drive