

The Sounder 12/24 VDC

Part No. AH1224D8G (gray), AH1224D8R (red)



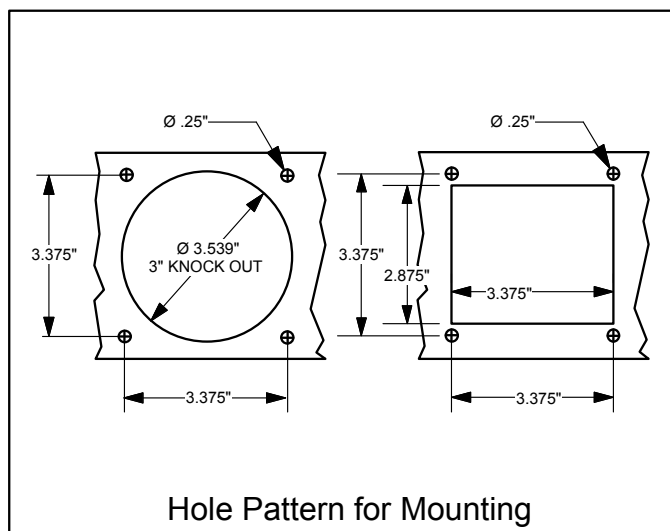
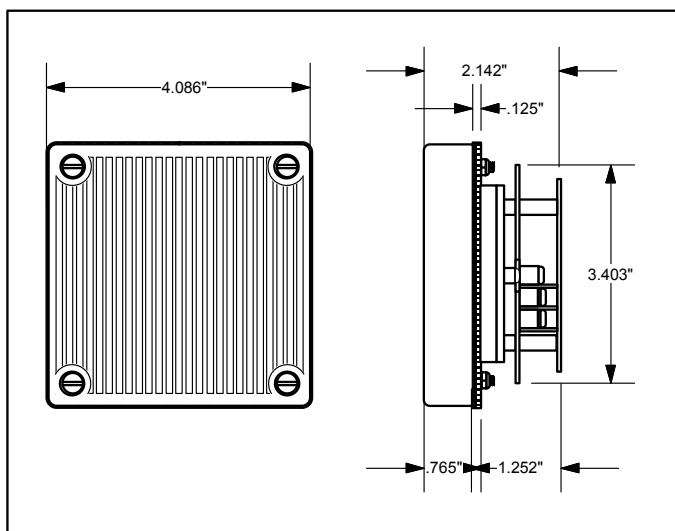
The Ingram AH1224D8G and AH1224D8R are NEMA and UL Type 4X alarm horn suitable for heavy duty applications inside and outdoors. This horn features 8 user selectable alert sounds and can be used with 12 or 24 Volts DC. Add quality to your control panel with the Ingram Sounder.

Features

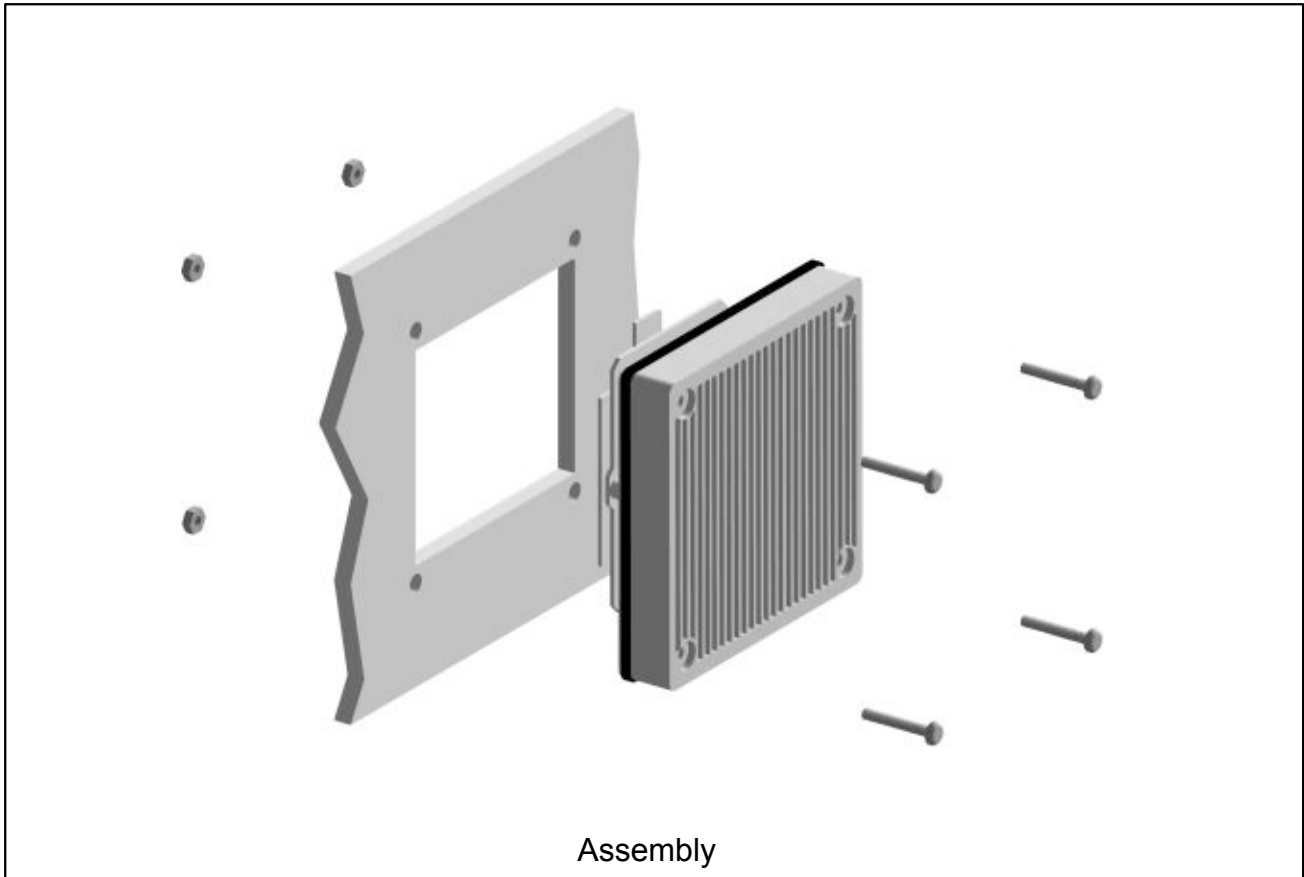
- UL listed (E175530) for use in NEMA and UL Type 3, 3R, 4, 4X, 12 and 13
- Loud: 110+ decibels at 5 feet
- 8 user selectable alert sounds
- 2 user selectable sound output levels
- Low profile protrudes less than 1" from mounting surface
- Does not generate electrical noise due to piezo electronic sound element
- Self locking stainless steel hex nuts makes it tamper resistant
- Highly reliable solid state circuitry

Technical Specifications

- Voltage: 12/24 VDC
- Average current draw: 167mA @ 12VDC
108 mA @ 24VDC
- Ambient operating temperature: -40°F - 151°F
- Maximum humidity of 93% RH+2%
- Each screw clamp terminal will accept two #18AWG - #12AWG wires.
- Available in Red or Gray



⚠ WARNING: Do not operate this device within 15 inches of a person's ear. Exposure to such high sound level can result in permanent damage to a person's hearing.



To Set Desired DBA Sound Output Level:

- SWITCH SETTING
- High Level Output (factory settings)
- Standard Level Output

To Set Desired Alarm tone:

- | | |
|--------------------------------|--|
| <input type="checkbox"/> Horn | <input type="checkbox"/> March Time Horn |
| <input type="checkbox"/> Bell | <input type="checkbox"/> Code 3 Horn |
| <input type="checkbox"/> Siren | <input type="checkbox"/> Code 3 Tone |
| <input type="checkbox"/> Hi/Lo | <input type="checkbox"/> Slow Whoop |

Note: The code-3 Horn and Tone alert sounds are reserved for emergency evacuation signaling. They should not be used for any other purpose!