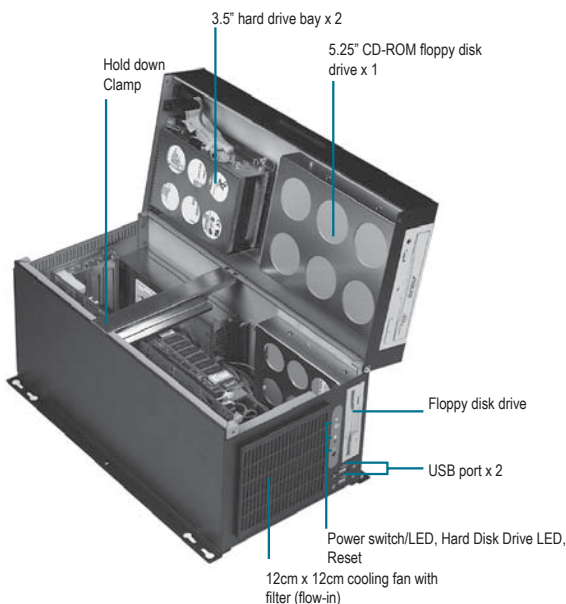
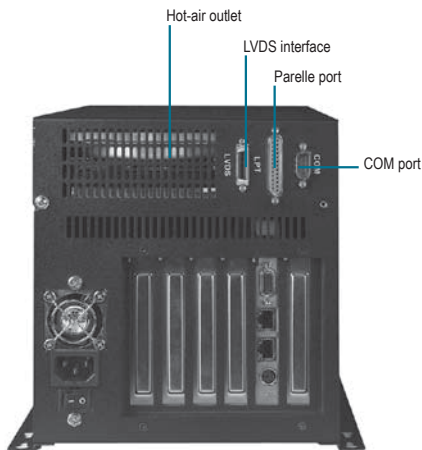


6-slot Industrial Wallmount IPC System Full-size/ Half-size CPU Cards Supports



Features

- Supports High Performance Full-size CPU Cards And 6-slot PICMG Bus Passive Backplanes
- Supports Wallmount or Desktop Applications
- Supports One Front Accessible 5.25" CD-ROM And 3.5" Floppy Disk Drive, And Two Internal 3.5" Hard Disk Drives
- One Easy-to-replace Ball Bearing Cooling Fan With Filter For Card Area
- Supports One Card Hold-down Bar

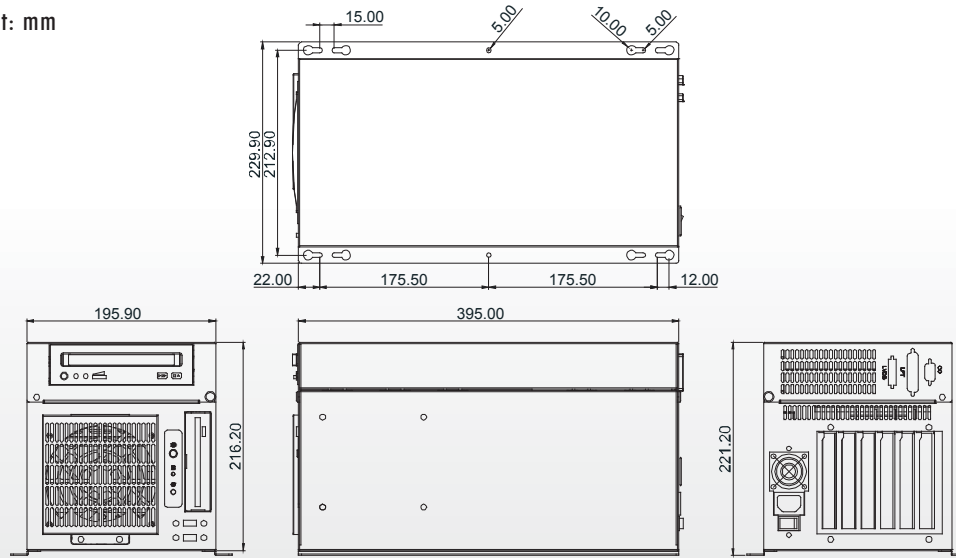


Specifications

| System | |
|---------------------|--|
| Drive Bay | 5.25" x 1 (front accessible) 3.5" x 1 (front accessible) 3.5" x 2 (Internal) |
| System Fan | 12cm x 12cm ball bearing fan with removable filter (flow-in) x 1 |
| System Control | Power on / off switch with LED x 1 Reset button x 1 |
| Indicator | Hard Disk Drive active LED x 1 |
| I/O Port (Front) | USB port x 2 |
| I/O Port (Rear) | COM port x 1 Parallel port x 1 reserved cutout for LVDS connector x 1 |
| Mechanical | |
| Construction | Heavy-duty steel |
| Color | Black |
| Dimension | 9.05" (W) x 8.51" (H) x 15.55" (D) (230mm x 216.2mm x 395mm) |
| Carton Dimension | 10 ~ 90% @ 40°C, non-condensing |
| Net Weight | 17 lb (7.8kg) |
| Gross Weight | 20 lb (9.2kg) |
| Environmental | |
| Construction | 32°F ~ 113°F (0°C ~ 45°C) |
| Storage Temperature | 32°F ~ 167°F (0°C ~ 75°C) |
| Operating Humidity | 5 ~ 95% @ 40°C, non-condensing |
| Vibration | 1G / 5 ~ 500Hz / random operation |
| Shock | 15G peak acceleration (11 msec. duration) |
| EMC | CE/FCC class A |

Dimension

Unit: mm



Power Supply Options

| P/N | TYPE | PFC Support | Input Voltage | Watt | Size |
|----------------|------|-------------|-------------------------|------|-------------|
| PW-I150-A-00 | AT | Non-PFC | Auto 115-230V | 150W | 1U (18.5cm) |
| PW-H150-A-00 | ATX | Active PFC | Auto 115-230V | 150W | 1U (18.5cm) |
| PW-H200-A-00 | ATX | Active PFC | Auto 115-230V | 200W | 1U (20.5cm) |
| PW-H250-A-00 | ATX | Active PFC | Auto 100/240V | 250W | 1U (20.5cm) |
| PW-H200-D24-00 | ATX | - | 19~32V DC (Typical 24V) | 200W | 1U (18.5cm) |

Passive Backplane Options

| P/N | Description | Master Interface | Slots | Power Connector, ATX Extend Function |
|-----------------|--|------------------|-------------------------------|--------------------------------------|
| BP-206SG-P4-A11 | Wallmount, PICMG, 6-slot Backplane, 4 PCI, 2 ISA, Single Segment, ATX, Rev. A1.1 | PICMG | 4/2/2 (PCI/ ISA/ PICMG) | AT, ATX, 3-pin ATX extend |
| BP-206SI-V60 | Wallmount, ISA, 6-slot Backplane, 6 ISA, Single Segment, AT, Rev. 6.0 | ISA | 0/6/0 (PCI/ ISA/ PICMG) | AT |
| BP-206SP-P4-A10 | Wallmount, PCI, 6-slot Backplane, 4 PCI, Single Segment, ATX, Rev. A1.0 | PCI | 4/0/2 (PCI/ ISA/ PICMG_PCI) | ATX, 3-pin ATX extend |
| BP-206SA-P4-A10 | Wallmount, APCI, 6-slot Backplane, 4 PCI, 1 AGP, Single Segment, ATX, Rev. A1.0 | APCI | 4/0/1/2 (PCI/ ISA/ AGP/ APCI) | ATX, 3-pin ATX extend |

Ordering Information

| Model/Name | Description | Remark |
|-------------------|--|-----------------------|
| AEC-206-B | Wallmount, 6-slot Chassis Bare for 1U Power, PS_SW(AT/ATX), Black | |
| AEC-206G4-H20-B00 | AEC-206 wallmount chassis, w/BP-206SG-P4-A11, w/ 200W ATX 1U 115~230V Active-PFC | Old P/N: AEC-206G2 |
| AEC-206G4-H25-B00 | AEC-206 wallmount chassis, w/BP-206SG-P4-A11, w/ 250W ATX 1U 115~230V Active-PFC | Old P/N: AEC-206G2-01 |

01

Full-size SBC

02

Half-size SBC

03

Industrial Motherboard

04

Industrial Chassis

05

Firewall Platform

06

Industrial Backplanes

07

Daughter Board

08

Embedded Motherboards

09

Mini PCI Modules

10

Sun-readable LCD Monitors

11

Accessories