

FOX-12D

12.1" XGA IP-67 Heavy-Duty Touch Display

07

Industrial Touch Display Solutions



Features

- IP-67 Water-Proof & Marine IEC60945 ed.4 Compliant
- 12.1" 500 Nits XGA LED Backlight (FOX-12DHHT)
- 12.1" 1000 Nits XGA LED Backlight (FOX-12DSTT)
- Anti-Fog Design: LCD+ TS Bonding Technology
- Brightness Adjustment



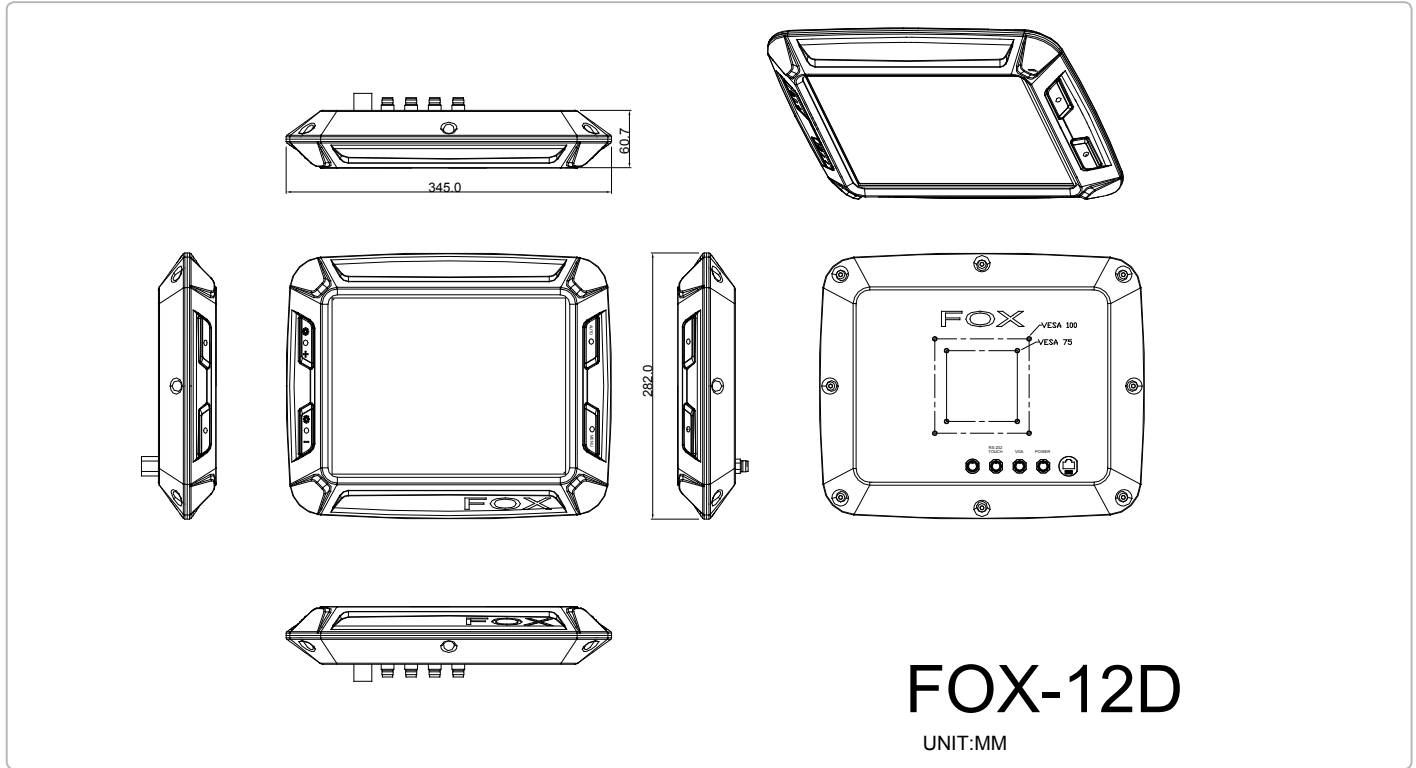
Specifications

System	
Input Signal	VGA
On Screen Display Control	Brightness, Contrast, Phase, Sharpness, AutoTune, H/V-position
I/O Connector	RS-232 (Touch) x 1, VGA x 1, Power x 1
OS Support	Windows® XP Pro, Windows® 7, Linux Fedora
Mechanical	
Construction	IP-67 Sealed Aluminum Alloy Chassis
Mounting	VESA 75/100
Dimension	13.58" x 11.1" x 2.36" (345mm x 282mm x 61mm)
Carton Dimension	20.24" x 9.72" x 20.71" (514mm x 247mm x 526mm)
Gross Weight	12.1 lb (5.5 Kg)
Net Weight	8.36 lb (3.8 Kg)
Environmental	
Operating Temperature	14°F ~ 140°F (-10°C ~ 60°C)
Storage Temperature	14°F ~ 158°F (-10°C ~ 70°C)
Storage Humidity	10%~95% @ 40°C; non-condensing
Vibration	1 g rms/ 5~500Hz/ Random operation
Shock	15 G peak acceleration (11 msec. Duration)
EMC	CE/FCC Class A
Power Supply	
DC Input	DC 9~30V
LCD	
Display Type	12.1" TFT-LCD
Max Resolution	1024 x 768
Max. Colors	16.2M colors
Luminance	HTT: 500 nits, STT: 1000 nits
Viewing Angle	HTT: 160°(H)/160°(V), STT: 160°(H)/140°(V)
Back Light	HTT: LED, STT: LED
Back Light MTBF (hours)	HTT: 50,000, STT: 60,000
Touchscreen	
Type	5-wire Resistive
Light Transmission	80%
Lifetime (Times)	35 million activations

FOX-12D

Dimension

Unit: mm



Ordering Information

Part Number	Display Type	Max Resolution	Luminance	View Angle	Backlight MTBF (Hours)	Display	Mounting	Power	Temp.	Touch	Other
FOX-12DHTT-A1-1010	12.1" TFT-LCD	1024 x 768	500 cd/m ²	160(H), 160(V)	50,000	VGA x 1	VESA 75/100	DC 9~30V	-10°C ~ 60°C (w/o air)	5-wire Resistive	—
FOX-12DSTT-A1-1010	12.1" TFT-LCD	1024 x 768	1000 cd/m ²	160(H), 140(V)	60,000	VGA x 1	VESA 75/100	DC 9~30V	-10°C ~ 60°C (w/o air)	5-wire Resistive	—

Packing List

- VGA Cable with Waterproof Connector
- Water Proof Connector for DC-in (Female)
- RS-232 Cable with Waterproof Connectors
- CD-ROM for Manual (in PDF Format) and Drivers
- FOX-12D

Optional Accessories

- **1757910004**
AC Adapter (100W)
- **1702031802**
AC adapter Power Cord (US Type)
- **1702031803**
AC Adapter Power Cord (European Type)
- **170203180E**
AC Adapter Power Cord (Japanese Type)
- **1709151000**
(TF) EXT VGA Cable, DB15(M), M12 8P(F), 100cm, For FOX-81D
- **1700091001**
(TF) M12 Cable, 9P(F) D-SUB to M12(F), 100cm, For FOX-81D
- **M990FOX001**
(TF) Metal, M12 Waterproof Cap, Ass'y Screw 3-Pin F Connector, to F Pin, for FOX Serial, LTW, LTW12-03BFFA-SL8001