

# TPC-1261H

## AMD LX800 Touch Panel Computer with 12.1" SVGA TFT LCD

NEW



### Features

- AMD LX800 processor on board
- 12.1" SVGA TFT LCD
- Super slim and compact design with Al-Mg housing
- Fanless cooling system
- NEMA4/IP65 compliant front panel
- Supports Microsoft® Windows® XP/CE and WinXPe
- Automatic data flow control RS-485

### Introduction

With a high quality TFT LCD display, TPC-1261H is designed with the AMD LX800 processor as its core. The LX800 has low power consumption 500 MHz operating frequency. This system is fanless although the kernel is powerful. In addition, spindle-free storage makes the TPC-1261H a durable and reliable platform.

For applications where spindle-free storage is not critical, a fast-access HDD module can be used. It also provides a PCI-104 expansion slot for application.

### Specifications

#### General

- **BIOS** Award® 256 KB
- **Certifications** BSMI, CCC, CE, FCC, UL
- **Cooling System** Fanless design
- **Dimensions (WxHxD)** 311 x 237 x 50 mm (12.24" x 9.33" x 1.97")
- **Enclosure** Al-Mg and ABS
- **Mounting** Desktop, swing arm or wall (with mounting kit)
- **OS Support** Microsoft Windows XP/CE and WinXPe
- **Power Consumption** 60 W
- **Power Input** 18 ~ 32 V<sub>DC</sub>
- **Watchdog Timer** 1.6 sec (system)
- **Weight (Net)** 2.2 kg (4.85 lb)

#### System Hardware

- **CPU** GX3 LX800 500 MHz
- **Expansion Slots** 1 x CompactFlash® slot  
1 x PCI-104
- **Graphics Controller** LX800
- **Keyboard/Mouse Ports** 1 x PS/2
- **LAN** 1 x 10/100Base-T
- **Memory** 256 MB DDR SDRAM (up to 1 GB DDR SDRAM)
- **Parallel Ports** 1 x Parallel Port
- **Serial Ports** 3 x RS-232 and 1 x RS-232/485/422
- **Storage** 1 x CompactFlash® card, or  
1 x 2.5" HDD (optional)
- **USB Ports** 2 x USB 2.0

#### LCD Display

- **Backlight Life** 50,000 hrs
- **Contrast Ratio** 1:300
- **Display Size** 12.1"
- **Display Type** SVGA TFT LCD
- **Luminance cd/m<sup>2</sup>** 340
- **Max. Colors** 256 K
- **Max. Resolution** 800 x 600
- **Viewing Angle** 100°

#### Touchscreen

- **Lifespan** 1 million touches at single point
- **Light Transmission** Above 75%
- **Pixel Pitch (H x V)** 0.3075 x 0.3075 mm
- **Resolution** 1024 x 1024
- **Type** 8-wire, analog resistive

#### Environment

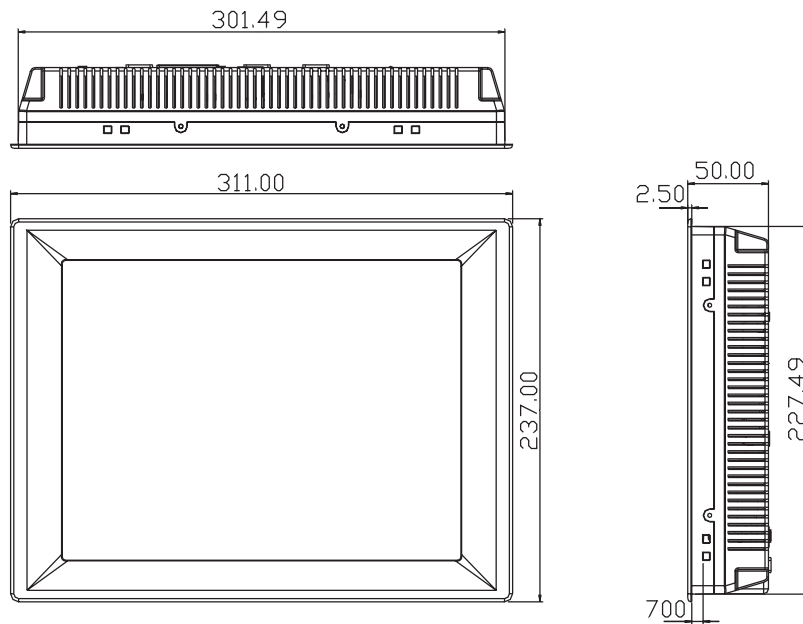
- **Humidity** 10 ~ 95% RH @ 40° C, non-condensing
- **Ingress Protection** Front panel: NEMA4, IP65
- **Operating Temperature** 0 ~ 50° C (32 ~ 122° F)
- **Vibration Protection** With CompactFlash: 2 grms (5 ~ 500 Hz)  
With HDD: 1 grms (5~500 Hz)  
(Operating, random vibration)

### Ordering Information

- **TPC-1261H-A1** 12.1" high luminance TFT LCD display touch panel computer with AMD LX800 500 MHz CPU and 256 MB DDR SDRAM
- **TPC-1261H-A1E** TPC-1261H-A1 with RoHS compliance

## Dimensions

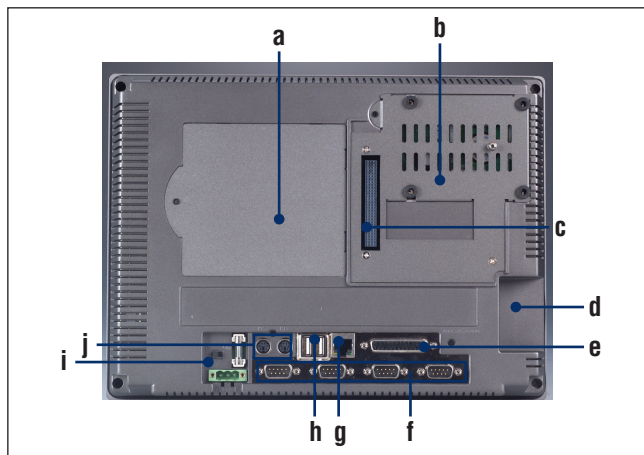
Unit: mm



## Accessories

- **TPC-1260 STAND**     TPC-1260T/TE desktop stand
- **TPC-1260 WALLMT**     TPC-1260T/TE wall mounting kit

## Rear View



- |                       |                  |
|-----------------------|------------------|
| a. CPU card cover     | f. Serial ports  |
| b. 2.5" HDD           | g. Ethernet port |
| c. PCI-104 slot       | h. USB ports     |
| d. CompactFlash® slot | i. Power switch  |
| e. Parallel port      | j. PS/2 ports    |