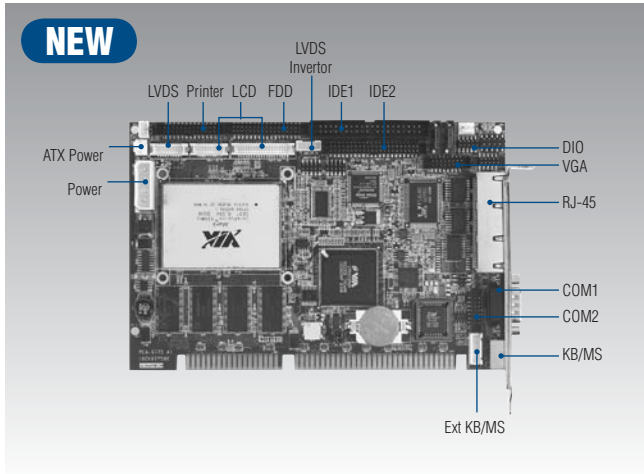


PCA-6775

ISA VIA Slot-PC SBC, with VGA/
LCD/LAN/SSD/FE LAN



Features

- VIA Mark 533/800 MHz CPU
- 128 MB Memory on board, support 1 SODIMM socket SDRAM up to 512 MB
- Support 10/100Base-T Ethernet
- Four USB, two COM
- Fanless



Specifications

General

- **CPU** VIA Mark 533/800 MHz CPU, FSB 133 MHz
- **2nd Cache Memory** 64-KB Cache
- **System Chipset** NorthBridge Embedded in CPU+VT82C686B
- **BIOS** AWARD 2 Mbit Flash BIOS
- **System Memory** 1 x 144-pin SODIMM SDRAM, 512 MB PC133 SDRAM
- **Power Management** APM 1.1
- **SSD** Support Compact Flash Card TYPE I/II
- **Watchdog Timer** 256 level timer interval
- **Expansion Interface** 16-bit ISA Gold Finger
- **Battery** Lithium 3 V/220 mAh

I/O

- **I/O Interface** 2 x EIDE (supports ATA-100/66/33 IDE devices), 1 x FDD, 1 x K/B, 1 x mouse, 1 x RS-232, 1 x RS-232/422/485
- **Audio** Supports CD-in, Line-in, Line-out by audio module, PCM-231A-00A1E
- **IrDA** 115.2 kbps, IrDA 1.0 compliant
- **GPIO** 8-bit General Purpose I/O for DI and DO

Ethernet

- **Chipset** Realtek RTL8100C
- **Speed** 10/100 Base-T
- **Interface** 1 x RJ-45
- **Standard** IEEE 802.3, IEEE 802.3u

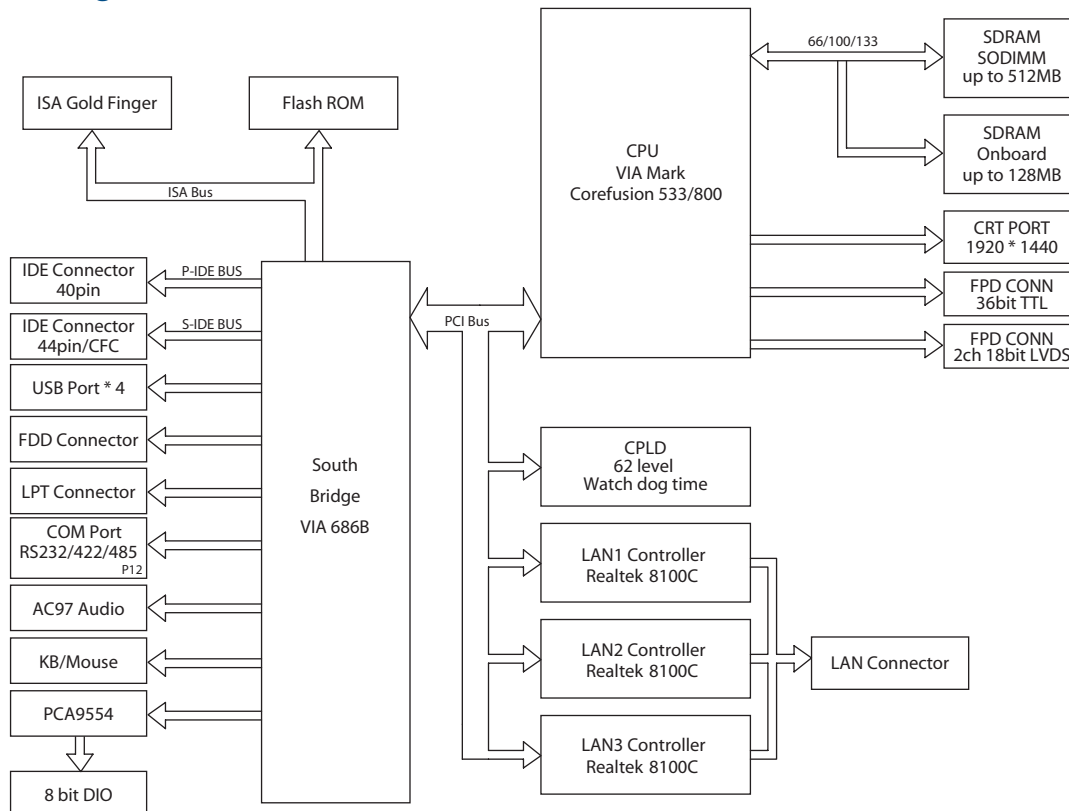
Display

- **Chipset** VIA Mark CPU integrated graphic
- **Memory Size** 8/16/32 MB shared Memory
- **Resolution** VGA mode:1920 x 1440 @ 85 MHz
LCD mode:1600 x 1200
- **Dual Independent Display** VGA/LVDS/TTL LCD
- **LVDS** Dual-channel 18-bit LVDS
- **TTL LCD** 36-bit TTL LCD
- **Combination** VGA+LVDS or VGA+TTL LCD

Mechanical and Environmental

- **Dimension (L x W)** 185 x 122 mm
- **Weight** 0.27kg
- **Operating Temperature** 0 ~ 60° C (32 ~ 140° F)
- **Operating Humidity** Operating Humidity 10% ~ 90% relative humidity, noncondensing
- **Power Supply Voltage** +5 V ±5 %, +12 V ±5 %
- **Power Consumption** Max: +5 V @ 2.20 A, +12 V @ 0.04 A
Typical: +5 V @ 1.64 A, +12 V @ 0.01 A
(VIA Mark 533 MHz with 256 MB SDRAM)

Board Diagram



Packing List

- 1 x PCA-6775 SBC
- 1 x Y Cable for PS/2 Keyboard, PS/2 Mouse (p/n:1700060202)
- 1 x E-IDE (HDD) Cable, 2.54mm pitch (p/n:1701400452)
- 1x S-IDE (HDD) Cable ,2.0mm pitch (p/n:1701440500)
- 1 x FDD Cable (p/n:1701340603)
- 1 x Parallel Port Cable (p/n:1700260250)
- 1 x USB cable with 2 ports (p/n:1703100260)
- 1 x COM Port Cable(RS-232/422/485) (p/n:1701140201)
- 1 x Power Cable (p/n:1700002343)
- 1 x Mini Jumper (p/n:1653300100)
- 1 x Startup Manual
- 1 x Utility CD

Optional Accessories

- PCA-6104-0C2E 4-slot ISA backplane
- PCA-6106-0B2E 6-slot ISA backplane
- PCA-6108-0C2E 8-slot ISA backplane
- IPC-644-15ZE 4-slot ISA chassis IPC-644 with PCA-6104-0C2E & 150W PSU
- IPC-644BP-15ZE 4-slot ISA chassis IPC-644 w/o BP with 150W PSU
- IPC-6806SB-15ZBE 6-slot ISA chassis IPC-6806S w/o BP with 150W PSU
- PCM-231A-00A1E Audio module with Line-in, Line-out, Mic
- 1703100260 USB cable adapter (2.00 mm)
- CF-HDD-ADP CompactFlash 50-pin to IDE 44-pin adapter
- 9689000042 IrDA adapter

Ordering Information

Standard	CPU	LVDS	TTL	10/100	SDRAM on board	USB	RS-232	RS-232/422/485	LPT	GPIO	IrDA	CF
PCA-6775F-LOA1E	VIA Mark 533 MHz	1	1	8100C	128 MB	4	1	1	1	8-bit	115 kbps	Type I/II
PCA-6775F-Q0A1E	VIA Mark 800 MHz	1	1	8100C	--	4	1	1	1	8-bit	115 kbps	Type I/II