

BALDOR® • *RELIANCE*

Product Information Packet

CL3712T

10HP,1740RPM,1PH,60HZ,215TC,3748LC,TEFC

Product Detail							
Revision:	C	Status:	PRD/A	Change #:		Proprietary:	No
Type:	AC	Prod Type:	3748LC	Elec. Spec:	37WGT875	CD Diagram:	CD1084
Enclosure	TEFC	Mfg Plant:		Mech Spec:	37K225	Layout:	37LYK225
Frame:	215TC	Mounting:	F1	Poles:	04	Created Date:	04-25-2006
Base:	RG	Rotation:	R	Insulation:	F	Eff. Date:	09-22-2008
Leads:	2#10,2#14	Literature:		Elec. Diagram:		Replaced By:	

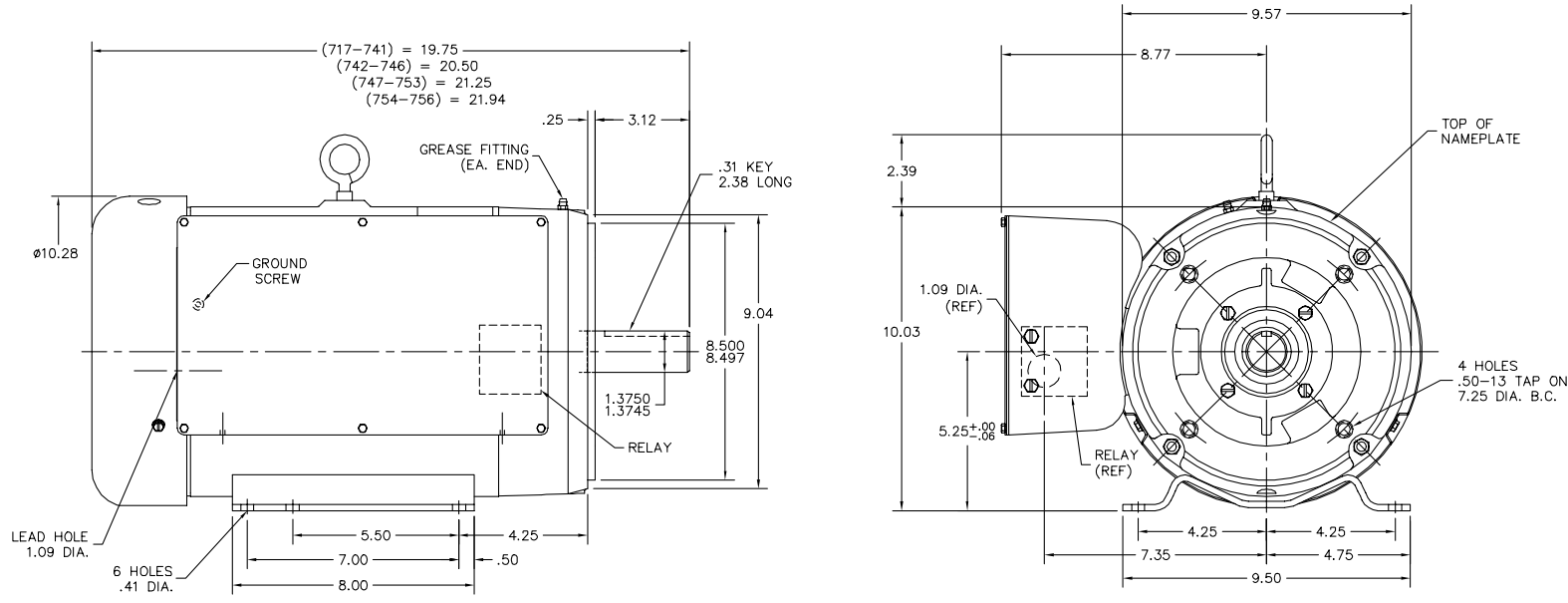
Nameplate NP1256L

CAT.NO.	CL3712T						
SPEC.	37K225T875						
HP	10						
VOLTS	230						
AMP	38						
RPM	1740						
FRAME	215TC	HZ	60	PH	1		
SER.F.	1.00	CODE	F	DES	L	CLASS	F
NEMA-NOM-EFF	86.5	PF	98				
RATING	40C AMB-CONT						
CC		USABLE AT 208V					
DE	6307	ODE	6206				
ENCL	TEFC	SN					

Parts List		
Product ID	Description	Quantity
SA142260	SA 37K225T875	1.000
RA131580	RA 37K225T875	1.000
OC3050F09SP	CYL OIL CAP 50MFD/370V	2.000
RE5029	MARS 91423 DOUBLE POLE 230-240V CONTACTO	1.000
EC1216C06	ELEC CAP, 216-259 MFD, 250V, 2.06D X 4.	4.000
37FN3002A01SP		1.000
HW3200A01	3/8-16X3/4 I-BLT WELDED F/S	1.000
37EP3101A01SP	FR ENDPLATE,TEFC, 37 L&M, W/GREASER	1.000
HW4500A01	1641B(ALEMITE)400 UNIV, GREASE FITT	1.000
13XT0832A07	8-32X7/16 TYP 23 PAN HD SLT DX	2.000
37CB3804A42	CAPAC. BOX 37 MOTORS FOR 6-7 CAPAC. W/RE	1.000
37GS3015	GASKET, CAPAC BOX	1.000
51XW2520A12	.25-20 X .75, TAPTITE II, HEX WSHR SLTD	4.000
HA6003A47	CAPAC CLAMP	1.000
HA6003A45	CAPAC CLAMP - CLIP (WHITE ZINC PLATED)	2.000
51XB1016A07	10-16 X 7/16 HXWSSLD SERTYB	4.000
11XW1032G06	10-32 X .38, TAPTITE II, HEX WSHR SLTD U	1.000
HW3001A01	D3019 BRASS WASHER(STIMP)	1.000
51XF2520A08	SCREW, HEX SER SLT HD, ZN 1/4-20 X .50 L	2.000
HW5100A06		1.000
37EP3300A01	FACE MT ENDPLATE-ENCL-307 BRG-213TC-215T	1.000
HW4500A01	1641B(ALEMITE)400 UNIV, GREASE FITT	1.000
10XN2520A30	HEX HD CAP SCREW-STD THD-.25 X 20 THD PE	4.000
HW1001A25	LOCKWASHER 1/4, ZINC PLT .493 OD, .255 I	4.000

Parts List (continued)		
Product ID	Description	Quantity
XY3118A12	5/16-18 HEX NUT DIRECTIONAL SERRATION	4.000
51XB1214A20		1.000
07FH4007A06	IEC FH W/GRS, NOT @6, 3 F/C HOL & NOT FO	1.000
51XW1032A06	10-32 X .38, TAPTITE II, HEX WSHR SLTD S	3.000
37CB4509	CAPAC BOX LID, STAMPED	1.000
37GS3016	GASKET, CAPAC BOX LID	1.000
51XW0832A07	8-32 X .44, TAPTITE II, HEX WSHR SLTD SE	6.000
HW2501F21	KEY, 5/16 SQ X 2.375	1.000
HA7000A02	KEY RETAINER RING, 1 1/8 DIA, 1 3/8 DIA	1.000
LB1115		1.000
10XF0440S02	04-40 X 1/8 TYPE F HEX HD STAINLESS STIC	2.000
MJ1000A02	MOBIL POLYREX EM/35LB	0.050
MG1000G27	PAINT- S9282E CHARCOAL GREY	0.028
SP5064A65	MODEL 37 TYPE L,SHOE BOX,RELAY	1.000
WD1000A15	3-520132-2 AMP FLAG (4M/RL NON-CANC/NON-	12.000
HA3104A25	THRUBOLT .31-18 X 14.75	4.000
NS2539	INSULATOR FOR 36-37 FRAMESWITCH (MH1011A	1.000
LB1119		1.000
LB1125C01	STD (STOCK) CARTON LABEL BALDOR WITH FLA	1.000
LC0017	CONN LABEL-1 PHASE-SINGLE VOLT-REV ROTNO	1.000
NP1256L	ALUM, UL CSA CC, W/O THERMAL, LASER	1.000
37PA1052	PACKAGING GROUP, 150 LB MTR 2 X 4 RUNNER	1.000

37LYK225



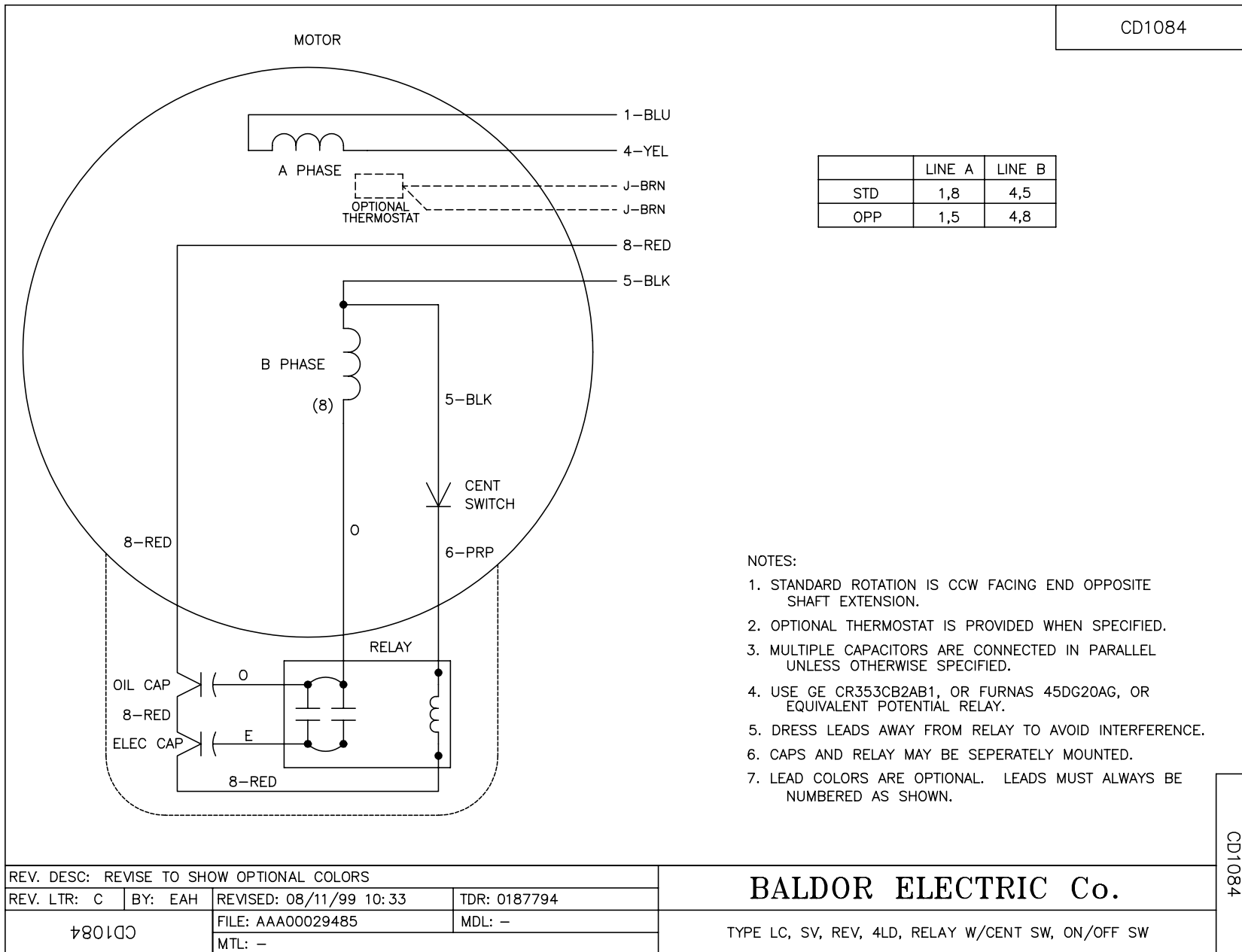
CUSTOMER IS RESPONSIBLE FOR DETERMINING THAT MOTOR PERFORMANCE IS SUITABLE IN THE APPLICATION.

REV. DESC: NEW	VERSION: 00	TDR: 000000394050
REV. LTR: -	REVISED: 10/07/13 04/28/2006	BY: ENJASF0
FILE: \AAA\00136\083		
MTL: -		

BALDOR ELECTRIC Co.
 HOR 213-5TC TEFC 37LC W/6 CAPAC.BOX, RELAY,SPL STKS

37LYK225

CD1084



NOTES:

1. STANDARD ROTATION IS CCW FACING END OPPOSITE SHAFT EXTENSION.
2. OPTIONAL THERMOSTAT IS PROVIDED WHEN SPECIFIED.
3. MULTIPLE CAPACITORS ARE CONNECTED IN PARALLEL UNLESS OTHERWISE SPECIFIED.
4. USE GE CR353CB2AB1, OR FURNAS 45DG20AG, OR EQUIVALENT POTENTIAL RELAY.
5. DRESS LEADS AWAY FROM RELAY TO AVOID INTERFERENCE.
6. CAPS AND RELAY MAY BE SEPERATELY MOUNTED.
7. LEAD COLORS ARE OPTIONAL. LEADS MUST ALWAYS BE NUMBERED AS SHOWN.

REV. DESC: REVISE TO SHOW OPTIONAL COLORS			
REV. LTR: C	BY: EAH	REVISED: 08/11/99 10:33	TDR: 0187794
†801DC		FILE: AAA00029485	MDL: -
		MTL: -	

BALDOR ELECTRIC Co.

TYPE LC, SV, REV, 4LD, RELAY W/CENT SW, ON/OFF SW

CD1084