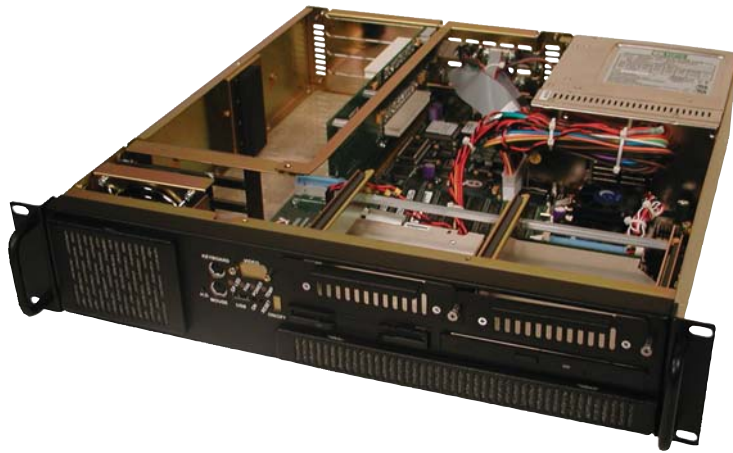


2U Low Profile Platform

FTS218



- Embedded Celeron or Single/Dual Pentium III FC-PGA Processor up to 1 GHz
- Intel 440GX Chipset with 66/100MHz FSB
- Up to 1.5GB of SDRAM
- AGP Video
- Dual 10/100 Base-TX Ethernet
- Dual Channel EIDE
- Slim Floppy, 2 Serial, 1 Parallel, and 2 USB Ports
- System Monitor
- 4 Full Length, 1 Half Length 32-Bit / 33MHz PCI and 1 Shared PCI/ISA Slot
- Support for 1 Slim Floppy and 1 Slim CD-ROM Drive
- 3.5"H(2U) x 19"W x 17.7"D

SPECIFICATIONS:

PROCESSOR

- Single or Dual Intel Pentium®III
- (100 or 133 MHz Front Side Bus)

MEMORY

- Up to 4 GB Using PC-100 or PC-133 SDRAM

BIOS

- DTI Enhanced Phoenix Core

INTERFACES

- PCI Video - C&T 69030 (front and rear connections)
- Ethernet - Two Intel 82559 NICs, Rear
- EIDE - Two Channels, ATA-33
- Front: PS/2 Keyboard, Mouse, USB, Video (optional)
- Rear: PS/2 Keyboard or Mouse, USB, Video, Alarm
- Rear Optional: PS/2 Mouse and Serial (occupies 1 slot)
Serial and Parallel (occupies 1 slot)

STATUS INDICATORS

Major and Minor Fault Indicators for:

- Temperature
- Fans
- Voltages

EXPANSION SLOTS

- 4 Full Length 64 bit/66MHz PCI Slots (EMB012)
- 4 Full Length + 1 Half Length 32 Bit / 33MHz PCI Slots and 1 Half Length ISA Slot (EMB002)

DRIVE SUPPORT

- (1) 3.5" Micro Floppy Drive Bay
- (1) Micro CD-ROM Drive Bay
- (2) 3.5", Front Accessible Drive Bays

POWER SUPPLY

230 Watt, -48V DC Input

• -48V DC	5V @ 30A	} Combined Max. 220W	} 230 Watts
	3.3V @ 20A		
	12V @ 14A		
	-12V @ 0.5A		
	-5V @ 0.5A		
	5VSB @ 1A		

COOLING

- Single Fan for Card Cage
- Power Supply Fans are Self Contained

DIMENSIONS

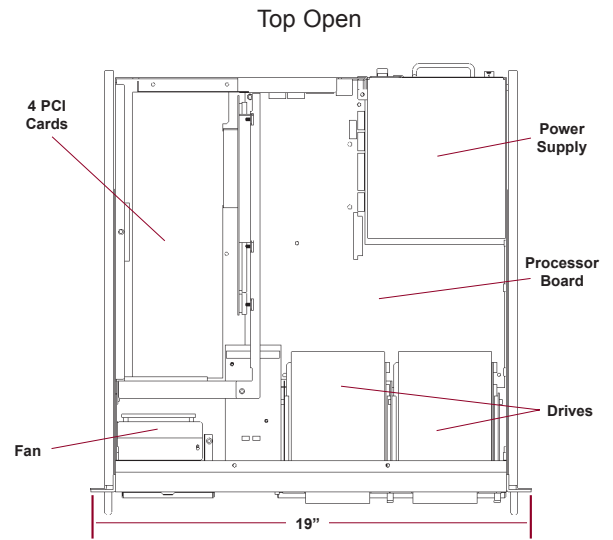
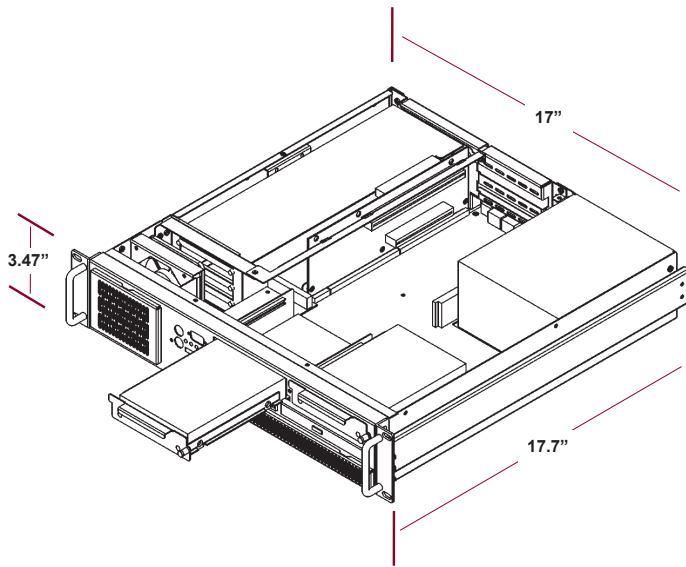
- 3.47"H x 19"W x 17.7"D



 **Diversified
Technology®**
An Ergon Co.

www.dtims.com

1.800.443.2667



The FTS218 is a fully integrated platform ideally suited for situations where high performance in a minimal amount of rack space is desired. The FTS218 provides the integrator with an abundance of features while still allowing for a large number of expansion slots.

The FTS218 is built around a processor board capable of running Intel's Pentium®III CPUs in the FC-PGA package. The Pentium®III processor is supported in a single or dual CPU configuration. This allows the FTS218 to effectively serve cost sensitive applications as well as very high performance applications. The FTS218 operates at either 100 or 133 MHz front side bus speeds. The FTS218 supports up to 4 GB of memory. On the EMB012, four DIMM sockets are provided and can be populated with standard PC-133 SDRAM memory modules.

The FTS218's full compliment of integration includes an PCI video interface. The C&T 69030 graphics engine is designed into the FTS218 to provide full featured video with minimal power consumption. The C&T 69030 includes 4 MB of video memory.

The FTS218 includes two Intel 82559 Ethernet NICs. Both ports can operate at 10 or 100 Mbps over CAT-5 cable and are fully auto-negotiating. Full and half duplex modes are supported. Device drivers are available for most popular operating systems.

Other interfaces in the FTS218 include USB, EIDE, floppy, serial, parallel, keyboard, and mouse ports. The two channel EIDE interface supports up to four devices which can operate in fast PIO and DMA modes. The floppy interface supports one drive. The serial and parallel port connections are available at the rear of the FTS218. The keyboard, mouse, and USB ports are available at the front and rear of the chassis. An optional solid state disk interface allows for operation without rotating media.

The FTS218 provides system monitoring and security features. A dedicated microcontroller tracks voltages, fan speeds, and processor temperatures. Multi-level alarms can be set to trigger based on selectable tolerances. Alarms can be reported externally or to the host processor. A two-stage watchdog timer is also implemented to automatically recover from software lockups.

Expandability of the FTS218 far exceeds what is found in the typical 2U rack-mount platform. The FTS218 includes four full length PCI slots (64 Bit / 66Mhz for the EMB012). It also supports a 1/2 length PCI and ISA card with the EMB002 (PCI cards are 32 Bit / 33MHz).

Many low profile systems do not provide ample current on the 3.3 volt rail to support high performance PCI cards along with the core logic and a large memory array. DTI has solved this problem by generating 3.3 volts on the back-

planes for the CRM120A and FTS218, thus providing 7 amps per PCI slot. This allows all of the 3.3 volt current from the power supply to be used by the core logic and memory on the main board.

The FTS218 chassis includes a power supply, drive bays, and cooling fans. The power supply is available with DC power input. The drive bays are all front accessible and include two 3.5 inch, one micro CD-ROM, and one micro floppy bay. Separate cooling fans for the card cage and power supply help ensure reliable operation in harsh environments. Front panel interfaces include the keyboard, mouse, video, and USB connectors, status indicator LEDs, a reset switch, and a power switch. A snap-on filter holder is located on the front of the unit for easy accessibility. Rear panel connections include video, mouse, keyboard, parallel, and serial ports. Dry-contact relay closures are also provided for external monitoring of alarm conditions.



All products are shipped FOB factory (MS). Specifications subject to change without notice. Trademarks are the property of their respective owners. (C) Copyright 2004 by Diversified Technology, Inc. All rights reserved.