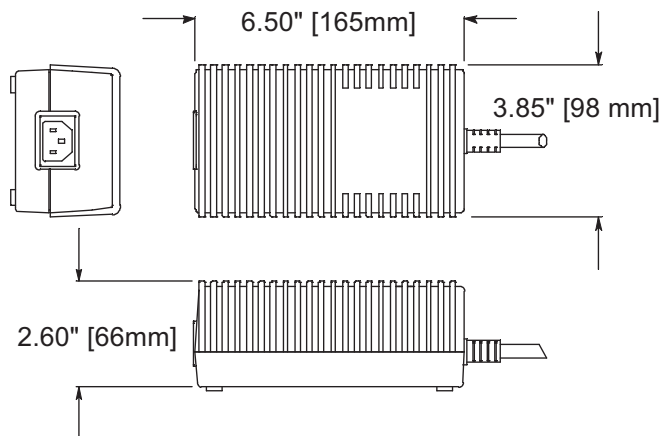


FW100 series

96 Watt AC Adapter



Features

- Wide range AC input
- Fully regulated output
- High efficiency
- 5 year warranty

Environmental

- Operating temperature..... 0° C to 40° C
- Storage temperature..... -55° C to 85° C
- Weight = 2.5 lbs

EMI

Meets FCC class B, CISPR 22 class B

Safety

CSA Certified to CSA 950
NRTL/C : UL 1950, CSA 950

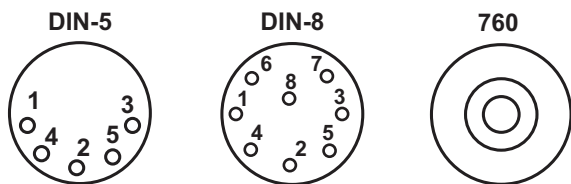
Electrical Specifications

Input

- Voltage..... 100 - 240 VAC
- Current..... 3.0 Amp @ 100 VAC
- Frequency..... 47 - 63 Hz
- AC cord..... Optional
- Input connector..... 3 Pin IEC 320 input receptacle

Output

- Line regulation..... TYP +/- 1%
- Load regulation..... TYP +/- 5%
- Set point..... +/- 3% at 60% load
- Hold up time..... 20 ms min at full load, 115 VAC
- Over voltage protection..... Built-in
- Over current protection..... Built-in
- Short circuit protection..... Pulsing mode, auto recovery
- Efficiency..... 80% min at full load and 115 VAC
- Transient response..... 2 ms for 50% load change typical
- Ripple/noise (V_{p-p})..... +/- 1% (20 MHz bandwidth)
- Output connector..... DIN (5 pin or 8 pin), 760



Polarity	1	2	3	4	5	6	7	8
DIN-5	Com	Com	+V	Com	+V	-	-	-
DIN-8	V1	V1	Com	V1	Com	V1	Com	Com

Polarity, 760:



Model No.	Voltage	Power	Current
FW10012-D8-NC	12V	96W	8.0A
FW10024-D5-NC	24V	96W	4.0A
FW10024-760-NC	24V	96W	4.0A