

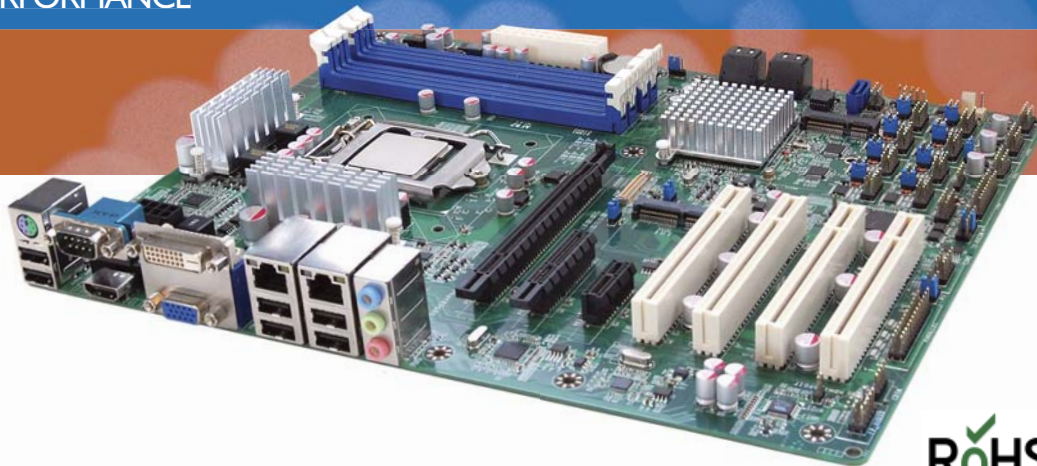
# Q67AX™

INDUSTRIAL MOTHERBOARD SUPPORTS 2<sup>nd</sup> GEN INTEL® CORE™ i3, i5, i7

Q67 CHIPSET DELIVERS BEST-IN-CLASS LEGACY SUPPORT,  
AND INCREDIBLY HIGH PERFORMANCE

## PRODUCT HIGHLIGHTS

- Intel LGA I 155 Core™ i7  
Intel LGA I 155 Core™ i5  
Intel LGA I 155 Core™ i3
- Four (4) PCI, three (3) PCI-E slots
- Two (2) SATA3 6Gb/s ports and  
Three (3) SATA2 3Gb/s ports  
supporting RAID 0/1/5/10
- Ten (10) Serial Ports
- Simultaneous HDMI + DVI + VGA  
Dual Video outputs
- Seven (7) to Ten (10) Year  
Guaranteed Production



## The Q67AX™

is a powerful long-life industrial motherboard supporting the second generation Intel® “Sandy Bridge” Core™ i7, i5, and i3 series of processors. Beyond the incredibly powerful CPU technology, the Q67AX still provides a solid migration path for legacy technology users, and was designed specifically to perform in embedded applications such as Medical, Oil and Gas, Security and Surveillance, Broadcast, Industrial Automation, and Gaming.

## APPLICATIONS

- Medical
- Oil and Gas
- Security and Surveillance
- Industrial Automation
- Video Streaming /  
Broadcasting
- Test and Measurement
- Military / Defense
- Infotainment
- Industrial Computing  
Systems

This is again, our fastest motherboard to date, featuring the Intel® i7 “Sandy Bridge” CPU, along with some of the best legacy support available anywhere.

We’ve not only included onboard RAID 0/1/5/10 support, but we added extras like dual Gigabit Ethernet ports, and dual video outputs via DVI, VGA, or HDMI. For legacy support we’ve also added a total of (9) onboard header serial ports, along with (1) external serial port, and (4) PCI expansion slots, making the Q67AX provide ample support for older peripherals in a time where extensive expansion capabilities are becoming extremely rare on high-performance motherboards.

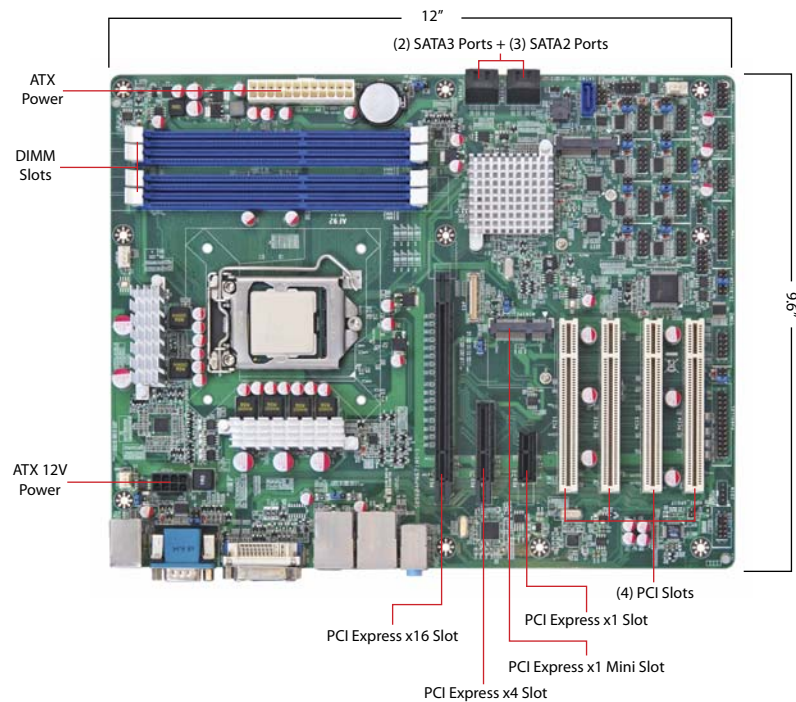
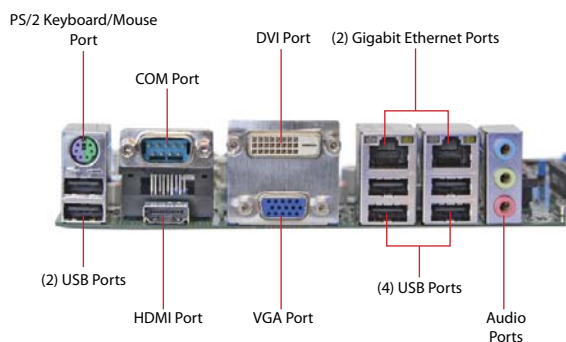
Combine that with a total of (12) USB 2.0 ports, and (3) PCI-E Gen 2.0 slots, and you have one of our most expandable and powerful motherboards to date.



## OUR COMMITMENT TO QUALITY

All Corvalent products are designed and carefully manufactured in an ISO 9001:2008 environment and backed by a seven (7) to ten (10) year production life cycle guarantee.





### TECHNICAL SPECIFICATIONS

<b>Form Factor</b>	ATX	<b>Video Graphics</b>	Simultaneous dual video output via (1) DVI, (1) VGA, and/or (1) HDMI rear panel ports. Max. resolution 2048x1536
<b>Dimensions</b>	12.0" x 9.6"	<b>Ethernet</b>	Two (2) RJ45 10/100/1000, Gigabit Ethernet Ports (Intel 82579LM & 82574L)
<b>Microprocessor</b>	Intel® LGA 1155 Socket Intel Core™ i7-2600 (3.4/3.8GHz/x4) Intel Core i5-2400 (3.1/3.4GHz/x4) Intel Core i3-2120 (3.3GHz/x2) Intel Pentium G850 (2.9GHz/x2) Intel Pentium G540 (2.5GHz/x2)	<b>Audio</b>	6ch audio via (3) jacks on I/O back-panel One (1) optical SPDIF output via audio jack (VIA VT1705 6-Channel HD Audio CODEC)
<b>Chipset</b>	Intel Q67 Express	<b>Industrial Devices</b>	CPU temperature monitor Watch Dog function TPM Module Support
<b>Memory</b>	DDR3 (1066/1333MHz) Dual channel, Unbuffered, 240-Pin, memory up to 32GB maximum memory	<b>BIOS</b>	AMI® EFI 64MB SMT Flash ROM BIOS
<b>System Bus</b>	One (1) PCI-E x16 graphics slot One (1) PCI-E x4 slot One (1) PCI-E x1 slot Four (4) PCI 2.3 32bit/33MHz slots One (1) Mini PCI-E x1 slot	<b>Battery</b>	Removable lithium batt. for CMOS memory
<b>Onboard I/O</b>	Twelve (12) USB 2.0 ports, Two (2) SATA3 6Gb/s ports Three (3) SATA2 3Gb/s ports One (1) MSATA Port for SSD Drives Intel Matrix Storage (chipset) RAID 0/1/5/10 Nine (9) RS232 Serial port connectors RS422/RS485 configurable on COM2 port One (1) External serial port One (1) PS/2 compatible keyboard/mouse connector on back panel One (1) Parallel Port on headers One (1) GPIO on header One (1) IR header One (1) Chassis Intrusion header One (1) Front Panel Audio Header One (1) ATX2.2 - 24-pin (2x12) power connector One (1) 8pin ATX12V power connector	<b>Operating Temp</b>	0°C to 60°C
		<b>Non-Operating</b>	-20°C to 85°C
		<b>Op. Humidity</b>	5 to 95% non-condensing
		<b>Non-Operating</b>	5 to 95% non-condensing
		<b>Part Number</b>	Q67AX



1101 Arrow Point Drive, Building 5  
Cedar Park, TX 78613, USA  
toll free 888.776.7896 phone 512.456.2400  
fax 512.456.2404 info@corvalent.com  
www.corvalent.com