

**Rating:**  
3 to 16A, 125-250VAC, 50VDC

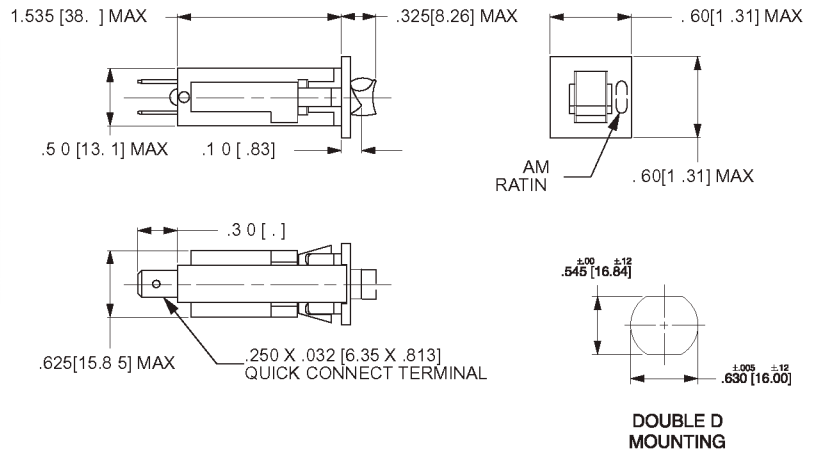
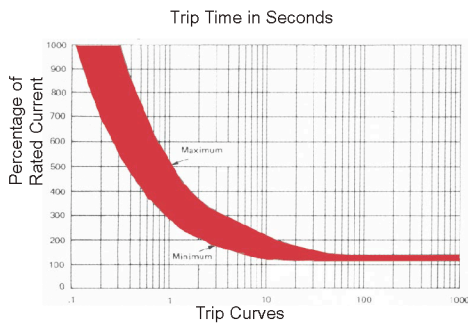
**Approvals:**  
UL, CSA, VDE, CE

**Interrupting capacity:**  
1000 amps

**Insulation Resistance:**  
100M ohms

**Applications:**  
Household Appliances  
Transportation  
Marine  
Power Strips  
Medical Equipment  
Audio Visual Equipment  
Power Supplies  
Exercise Equipment

## Time Delay      Dimensional Specifications



## Ordering Scheme



**1 SERIES**  
CTB

**2 BEZEL COLOR <sup>1</sup>**  
B Black

**3 ROCKER COLOR <sup>1</sup>**  
B Black

**4 RATING**

03	3 amp	08	8 amp	14	14 amp
04	4 amp	09	9 amp	15	15 amp
05	5 amp	10	10 amp	16	16 amp
06	6 amp	12	12 amp		
07	7 amp	13	13 amp		

NOTES:  
All dimensions are in inches [millimeters].  
Tolerance  $\pm 0.005$  [.127] unless otherwise specified.  
Breaker must hold 100% of rated current and must trip at 150% and above, within the time limits shown in curve. Trip times specified at 25° ambient with no preloading.  
1 Additional colors available. Consult factory.