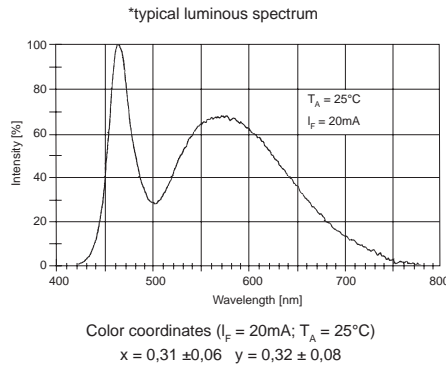
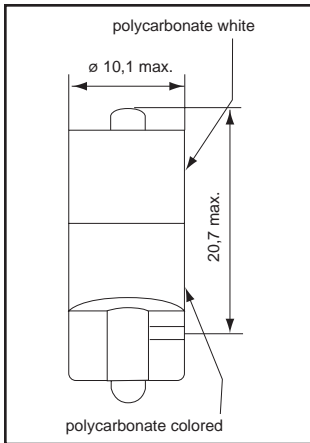


## 1511B Series T 3 1/4 Wedge Based LED

### DESCRIPTION AND FEATURES



- Replaces incandescent lamp #'s
  - 12V AC/DC — 192, 124, 158, 161, 168, 193, 194, 658, 184
  - 24V AC/DC and 28V AC/DC — 152, 400, 464, 585, 655, 656, 657
- Extremely high brightness with low current draw
- Long life — typically 100K hours vs. 10K hours
- Low heat generation
- Available in five standard colors. Custom colors available upon request
- Shock and vibration proof
- Storage temperature:  $-25^\circ\text{C} - +80^\circ\text{C}$
- Ambient temperature:  $-20^\circ\text{C} - +60^\circ\text{C}$
- Due to production tolerances, color temperature variations may be detected within individual consignments

### ELECTRO-OPTICAL CHARACTERISTICS AND RATINGS

Part Number	Color	Voltage V AC/DC	Current mA	Lumi. Intensity mcd	Reverse Voltage V	Dominant Wavelength nm
1511B25UR3	Red	12	7 / 14	330	80	630
1511B25UG3	Green	12	7 / 14	910	80	525
1511B25UY3	Yellow	12	7 / 14	280	80	587
1511B25B3	Blue	12	7 / 14	350	80	470
1511B25W3	White Clear	12	7 / 14	700	80	*
1511B25W3D	White Diffused	12	7 / 14	350	80	*
1511B35UR3	Red	24	7 / 14	330	80	630
1511B35UG3	Green	24	7 / 14	910	80	525
1511B35UY3	Yellow	24	7 / 14	280	80	587
1511B35B3	Blue	24	7 / 14	350	80	470
1511B35W3	White Clear	24	7 / 14	700	80	*
1511B35W3D	White Diffused	24	7 / 14	350	80	*
1511B45UR3	Red	28	7 / 14	330	80	630
1511B45UG3	Green	28	7 / 14	910	80	525
1511B45UY3	Yellow	28	7 / 14	280	80	587
1511B45B3	Blue	28	7 / 14	350	80	470
1511B45W3	White Clear	28	7 / 14	700	80	*
1511B45W3D	White Diffused	28	7 / 14	350	80	*

Luminous intensity data of the used LEDs at:  $I_{OP,DC}$

Chicago Miniature Lamp reserves the right to make specification revisions that enhance the design and/or performance of the product.