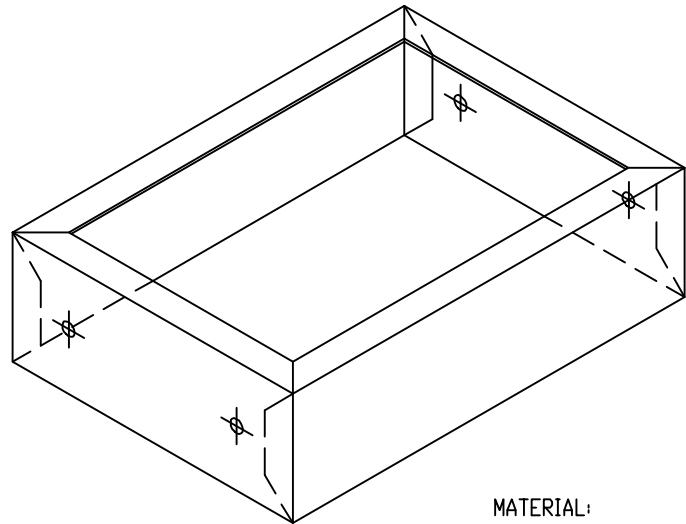
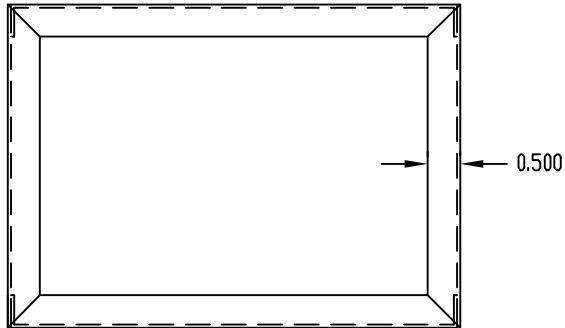


PART
NAME

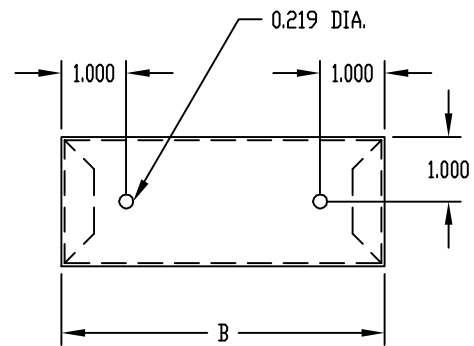
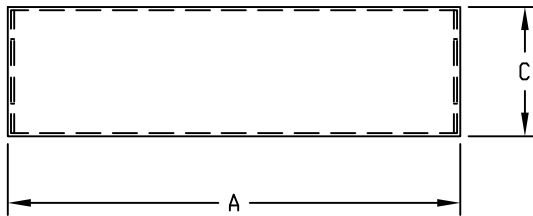
ALUMINUM CHASSIS

PART
No.

AC-401 THRU AC-1431



MATERIAL:
ALUMINUM
FINISH:
NATURAL



* HOLES FOR MOUNTING BRACKET PROVIDED.

PART No.	A'	B'	C'	GAUGE	WT. (LBS.)	PART No.	A'	B'	C'	GAUGE	WT. (LBS.)
AC-401	9.5	5	2.5	0.040	0.500	AC-429	7	5	3	0.040	0.500
AC-402	7	5	2	0.040	0.333	AC-430	6	4	3	0.040	0.333
AC-403	9.5	5	2	0.040	0.500	AC-431	6	4	2	0.040	0.250
AC-404	10	5	3	0.040	0.625	AC-433	17	6	3	0.050	1.250
AC-405	7	7	2	0.040	0.500	AC-1402	4.5	3.5	1	0.040	0.125
AC-406	9	7	2	0.040	0.500	AC-1404	5	4	2	0.040	0.250
AC-407	11	7	2	0.040	0.625	AC-1405	6	4	1.5	0.040	0.250
AC-408	12	7	3	0.040	0.875	AC-1407	8	4.5	1.5	0.040	0.250
AC-409	13	7	2	0.040	0.750	AC-1413	8	6	2	0.040	0.333
AC-411	15	7	3	0.050	1.250	AC-1414	14	6	3	0.050	1.125
AC-412*	17	8	3	0.050	1.750	AC-1416	17	7	2	0.050	1.125
AC-413	12	10	3	0.050	1.250	AC-1418	10	8	2.5	0.040	1.000
AC-414	14	10	3	0.050	1.500	AC-1419	12	8	2.5	0.050	1.125
AC-415*	17	10	2	0.050	1.500	AC-1421	15	9	3	0.050	1.500
AC-416*	17	10	3	0.050	1.750	AC-1422	17	10	5	0.050	2.250
AC-418*	17	12	3	0.050	2.250	AC-1424	12	12	3	0.050	1.500
AC-419*	17	13	2	0.050	2.625	AC-1426	17	13	5	0.050	3.500
AC-420*	17	13	3	0.050	2.750	AC-1427	17	14	3	0.050	2.750
AC-421	9.5	5	3	0.040	0.625	AC-1428	17	15	4	0.050	3.250
AC-423	17	7	3	0.050	1.500	AC-1429	17	15	6	0.050	4.125
AC-424	12	8	3	0.050	1.250	AC-1430	17	17	3	0.050	3.250
AC-427*	17	10	4	0.050	2.500	AC-1431	17	17	4	0.050	3.875
AC-428*	17	13	4	0.050	3.250						