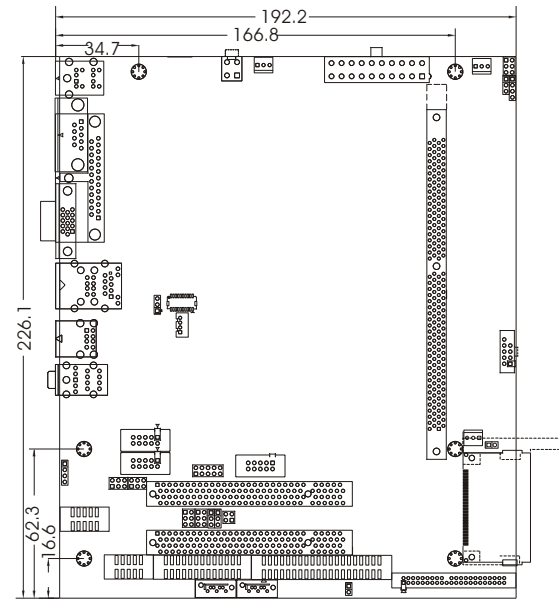
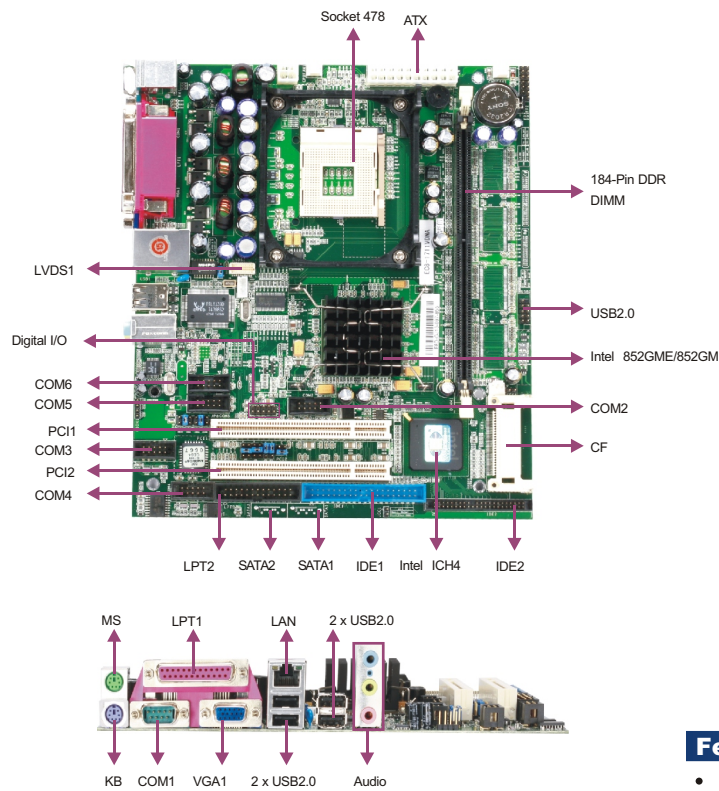


EC8-1711CLDNA

8" SBC with Socket 478 CPU/VGA/LVDS/LAN/Audio



Features

- Supports Intel® Celeron® D and Pentium® 4 series CPU
- Supports 1x 184-pin DIMM or onboard 256MB/512MB memory
- Supports 1 x 10/100M Ethernet interface
- Supports VGA and LVDS display
- Supports 6 x USB2.0, 6 x COM, 2 x IDE, 1 x CF, 2 x LPT, 1 x Audio, 1 x GPIO, 1 x KB, 1 x MS
- Supports 2 x PCI expansion slot

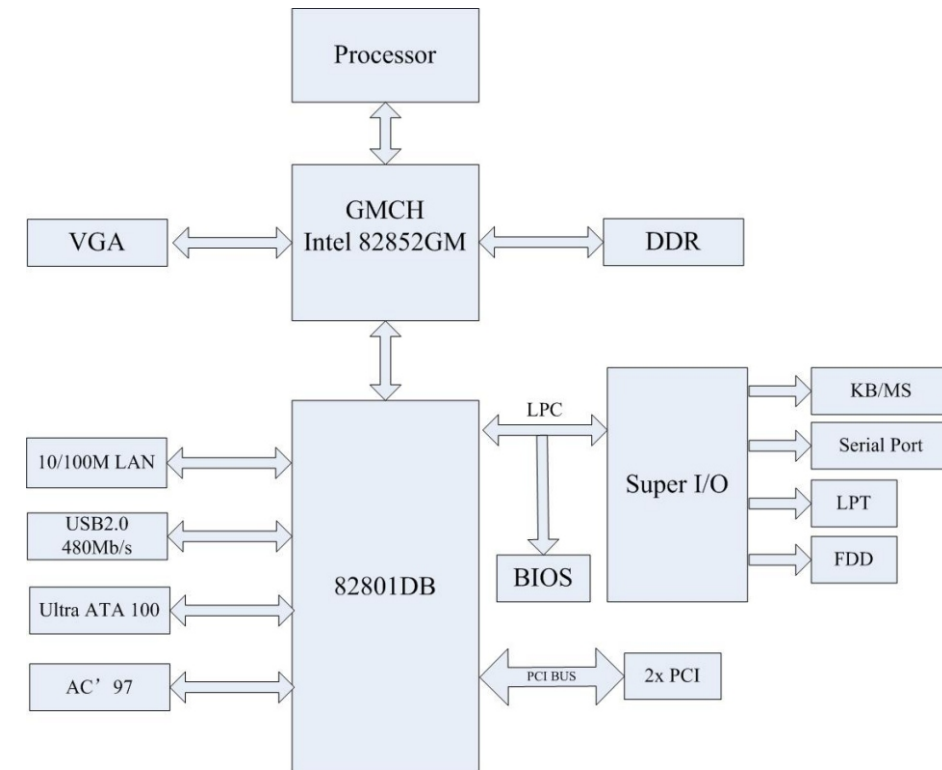


Specifications

System	
Processor	Supports socket 478 Intel® Celeron D, Pentium 4 series CPU Onboard Celeron® M 1.2GHz CPU (optional)
Chipset	Intel® 852GM + ICH4
Memory	Supports 1 x 184-pin DIMM, optional onboard 256MB/512MB memory, up to 1.5GB DDR 200/266 memory
Hardware Monitor	Monitors CPU temperature, voltage and watchdog timer
Watchdog Timer	1~255 sec./min. timer system reset or interrupt, setup by software
Expansion Interface	2 x PCI
Storage	
IDE	1 x 40-pin Ultra ATA100/66/33 interface, 1 x 44-pin Ultra ATA100/66/33 interface
Serial ATA	2 x Serial ATA interface (optional)
CF	1 x CompactFlash Socket Type I/II
DOC/DOM	N/A
I/O Interface	
USB	6 x USB2.0 port, available interfaces of 4 x USB port and 1 x 9-pin header onboard
Serial Port	5 x RS-232, 1 x RS-232/485(COM4), available interfaces of 1 x DB9 and 5 x 10-pin header onboard
Parallel Port	2 x LPT, available interfaces of 1 x DB25 and 1 x 26-pin header onboard
IrDA	N/A
Audio	Supports AC'97, available interfaces of Speaker-out, Line-in and Mic-in
Digital I/O	4 x GPI, 2 x GPO

Display	
Chipset	Intel® 852GME chipset integrated
Memory	64MB shared memory
Resolution	VGA mode up to 1920 x 1400@60Hz or 1600 x 1200@85Hz LVDS mode up to 1600 x 1200@18bit
Dual Display	Supports VGA+LVDS independent dual display
Ethernet	
Chipset	Realtek RTL8139D
Speed	10/100Mbps
Connector	1 x RJ45
Mechanical and Environmental	
Dimensions	226.1mm x 192.2mm
Operating Temperature	-15°C~60°C
Storage Temperature	-40°C~80°C
Operating Humidity	5%-95%, non-condensing
Power	
Power Supply	Supports ATX power supply
Power Consumption	N/A
Operating System	
Windows OS	Windows 98SE/ Windows 2000/ Windows XP
Embedded OS	Linux/XP Embedded

Board Diagram



Available Accessories

Part Number	Name	Description	Qty.
2330-00041	Jumper/RoHS	2.54mm pitch, blue	4
2360-002571	Dual USB ports with bracket/B4/RoHS	Two USB ports to one 2x5 Pin, length: 210mm/RoHS	1
2360-005051	Parallel port cable/RoHS	Parallel cable, DB25 connector to 26 Pin, length: 300mm	1
2360-008331	HDD flat cable/RoHS	DMA66/HDD/CABLE/40P/80-line/length: 450mm	1
2360-010011	Serial cable/RoHS	DB9 connector to 2x5 Pin, length: 265mm/RoHS	4
2360-018191	Serial cable/RoHS	DB9 connector to 2x5 Pin, length: 300mm/RoHS	1
---	Setup Guide/RoHS	AMI/BIOS Setup Guide (for CORE8)	1
---	User's Manual/RoHS	EC8-1711CLDNA	1
---	Driver CD/Protective film/RoHS	EC8-1711CLDNA	1

Ordering Information

Part Number	Model Number	Description
0030-005590	EC8-1711CLDNA-M	Motherboard/Onboard Mobile Celeron 1.2G CPU
0030-005570	EC8-1711CLDNA-S/256M	Motherboard/Onboard 256M Onboard Mobile Celeron 1.2G CPU/SATA
0030-005580	EC8-1711CLDNA-S/512M	Motherboard/Onboard 512M Onboard Mobile Celeron 1.2G CPU/SATA