

# EF Series

## 200 Watt High Density AC/DC Power Supply



### PRODUCT DESCRIPTION

The EF Series of switching power supplies utilizes advanced component and circuit technologies to deliver the industry's smallest 200 Watt switcher. Built to meet 1U height considerations, the U-Frame package measures only 3.30 x 5.00 x 1.50". All models offer universal AC input (85-265 VAC) with active power factor correction (PFC), optional 48 VDC input, flexible output configurations and compliance to worldwide safety and EMC standards. Features include:

- 200W compact high-density models
- Active load current share
- Universal AC input with PFC
- Ruggedized U-Channel construction
- 48VDC input models available
- RoHS compliant
- Includes OR-ing diode for N+1 parallel operation
- International regulatory approvals

### INPUT

AC Input Voltage	90-264VAC, 47-63Hz
Input Inrush Current	< 50Amp@230VAC (Cold Start)
Active Power Factor Correction	0.90 at 110VAC/ 0.95 at 220VAC (typical)
Input Line Protection	6.3A 250VAC IEC Type
Hold-up Time	16mSec.@ Full Load

### OUTPUT

Line Regulation	± 0.2% for Vin (min.) to Vin (max.)
Transient Response	Better than 5% For 50% Step Load
Over-Voltage Protection	125% Typical Latched Shut-down
Load Regulation	±0.51% Max
Min. Load Requirement	None
Turn-On Delay	± 1%
Initial Setting Accuracy	± 1%
Ripple @ Noise	± 1%
Overload Protection	120-130% Typical of Max Output Load

### ENVIRONMENTAL

Operation Temperature	-5C to +50C. De-rate of 2.5% per 1Deg. C up to +71C
Temperature Protection	Shutdown (Internal Heat-Sink Temp. >90C), Auto recovery
Storage Temperature	-25C to +85C
Cooling	Forced Air Cooling 250LFM
Humidity	Up to 95% RH Non-condensing
Shock & Vibration	0.75G Peak 5Hz - 500Hz
MTBF	>300,000 Hours

### STATUS & CONTROL

Remote Inhibit	ACTIVE Low-output shut down
Power OK	Open Collector ACTIVE Low - Any Output drops below 10%
Current Share	Single Wire, ±10% accuracy
Remote Sense	Compensates for < 500mV drop
Auxiliary Output	5V / 5mA

### ELECTROMAGNETIC COMPATIBILITY

Electrostatic Discharge	EN61000-4-2, ±4KV Contact / ±8KV Air Discharge
Radiated Susceptibility	EN61000-4-3, 26-1000MHz, 10V/M, 80% AM
EFT / Bursts	EN61000-4-4, ±2KV
Surges	EN61000-4-5, ±2KV Line-Earth, ±1KV Line-Line
Conducted Immunity	EN61000-4-6, 0.15-800MHz, 10V, 80% AM
Voltage Dips	EN61000-4-11, 95% Dip & 10ms, 30% Dip & 500ms
Voltage Interruptions	EN61000-4-11, 95% Reduction, 5s
Fluctuations & Flicker	EN61000-3-3

### SAFETY & EMISSIONS

Safety Approvals	UL/cUL60950, EN60950, CE Mark (LVD)
------------------	-------------------------------------

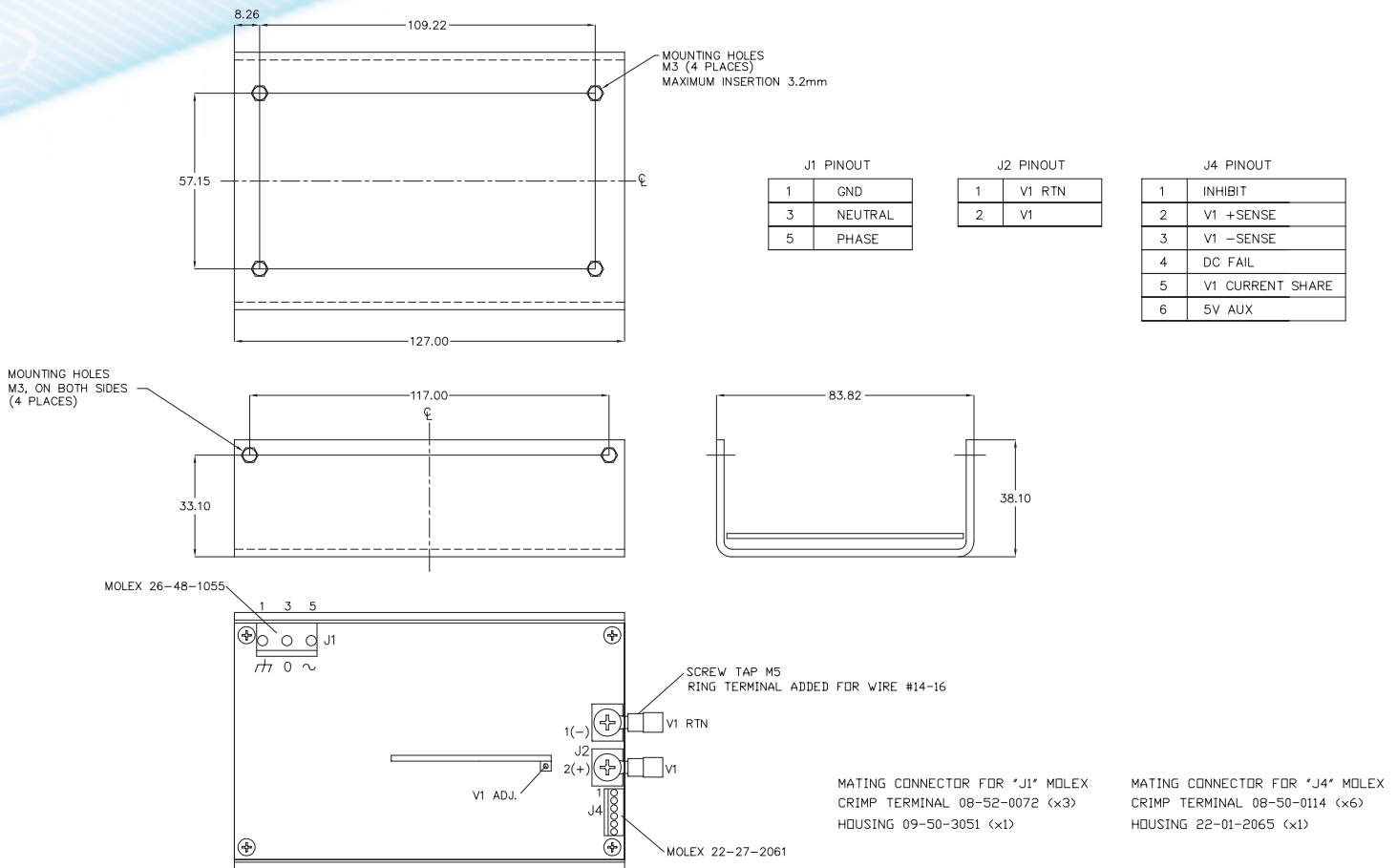


# EF Series

## 200 Watt High Density AC/DC Power Supply

### Model Selection Guide

Model	Input	Output Power	Output Voltage	Output Current	Efficiency (Typical)
EFS175-105	90-264VAC	150 Watts	5V	30A	82-85%
EFS175-112	90-264VAC	200 Watts	12V	16.6A	82-85%
EFS175-115	90-264VAC	200 Watts	15V	13.3A	82-85%
EFS175-124	90-264VAC	200 Watts	24V	8.3A	82-85%
EFS175-128	90-264VAC	200 Watts	28V	7.15A	82-85%
EFS175-148	90-264VAC	200 Watts	48V	4.2A	82-85%



**DIGITAL POWER**  
 NORTH AMERICA / ASIA  
[www.digipwr.com](http://www.digipwr.com)

41324 Christy Street  
 Fremont, CA 94538, USA  
 Phone (510) 657 2635  
 Fax (510) 657 6634  
 sales@digipwr.com

**GRESHAM POWER**  
 UK / EUROPE  
[www.greshampower.com](http://www.greshampower.com)

Gresham House, Telford Road  
 Salisbury, Wiltshire SP2 7PH, UK  
 Phone +44 (0) 1722 413 060  
 Fax +44 (0) 1722 413 034  
 enquiries@greshampower.com

**TELKOOR POWER**  
 ISRAEL  
[www.telkoor.com](http://www.telkoor.com)

5 Giborey Israel Street  
 Natanya, Israel 42293  
 Phone +972 9 8632333  
 Fax +972 9 8658444  
 sales@telkoor.com